

2022
PRODUCT CATALOG



DIVISION CONSTRUCTION SUPPLY, INC.

Multi-Family Industry
New Construction & Renovation Specialists

Ceiling Fans • Disk Lights • Outdoor
Utility • Area Lighting • Landscape
Post Tops • Track • Exit/Emergency



Terms & Conditions

Terms	All accounts are subject to a late penalty of 1 1/2% per month on all invoices that exceed 30 days. But in no event higher than permitted by law in the state where the obligation is payable.
Ordering	Written or emailed purchase orders are requested. Minimum quantity requirements may vary from product to product.
Minimum Order	\$100 per shipment. Will-call orders \$100.00. Orders less than the minimum are subject to a \$10.00 fee.
Shipments	Specify on your order whether the shipment is to be made by UPS or Truck lines. Where no instructions are given, our shipping department will use its best judgment. Please note that we can not pack our product sufficiently to stop all damage by this type of carrier. The receipt of the goods must check in all orders for damage at the time of receipt. DC Supply assumes no responsibility for damage not noted at the time of delivery.
Drop Shipments	DC Supply (shipper) assumes no responsibility for damage or shortages on any Drop shipment that the recipient does not note on the freight bill. All drop shipments are shipped FOB at the point of shipment. Any goods received with damages are to be reported upon receipt to the carrier and a claim filed with them. The carrier is responsible for loss or breakage in transit, not the shipper. All drop ship orders are subject to a minimum fee of \$6.00 per bill of lading.
Freight Claims	Should any damage occur in transit DO NOT REFUSE TO ACCEPT THE SHIPMENT, as this causes you unnecessary shipping expense and delay. Any goods received with damages are to be reported upon receipt to the carrier and a claim filed with them. The carrier is responsible for loss or breakage in transit, not the shipper.
Returns	No merchandise is to be returned without prior authorization. Call 469-640-2697 & ask Customer Service for a return authorization. Any returned products will result in a 25% restocking fee and the customer will incur the freight charges. No merchandise returns will be accepted without prior written authorization. Return requests will be accepted for credit if submitted and approved within 30 days of receipt of product.
Claims	All claims must be made in writing within 10 days after receipt of merchandise. All shipments should be inspected for damage upon delivery. DC Supply is not responsible for merchandise not inspected at the time of delivery.
Freight Policy	All orders are shipped freight collect unless prior arrangements have been made. All prepaid shipments must be paid within terms or loss of freight allowance will occur.
Prices	Receive our best price by ordering in standard cartons. Our prices are subject to change without notice. Pricing levels include Non-Distributor, Distributor and Master Distributor.
Non-Stock	Purchaser understands that all non-stock, special, custom, or modified versions of normal factory-stock items are not returnable.
Section 310 Tariffs	The US Government has taken action on Chinese-origin goods subject to additional tariffs under Section 301. While you will find slight increase throughout our product lines, our goal is to minimize the impact to our valued customers and partners. We will continue to monitor the developments of these tariffs and prepare for the future potential monetary implications.
Limited Warranty	All fixtures and products manufactured by DC Supply are warranted to be free from defects in workmanship and materials, as manufactured, for a period of Two full years from date of invoice. The illustrations and descriptions of the products also shown herein are for the sole purpose of identification and are not intended to imply that the products will fit any particular purpose or necessarily conform to the illustrations and/or the description.

Implied Labor Warranty

DC Supply will not accept any liability for labor claims, loss of profit, repairs or any other expenses incidental to replacement. The limited warranty of DC Supply brand lighting products is expressly in lieu of all other warranties, express, statutory or implied including the warranty of merchantability and fitness for a particular purpose.

Product Warranty

WARRANTY - ALL products in this catalog, other than our LED fixtures which has a Limited Power Supply warranty (Module, PC Board Diodes and Drivers) for three (3) years, are warranted to be free of defects in material and workmanship for one (1) year from date of purchase. This warranty is Limited to the correction of any such defect, or the replacement of any such defective item, provided that: (a) item(s) was (were) purchased from an authorized DC Supply distributor; (b) we are properly notified and consent to the return of the item(s) in question; (c) the item(s) is/are returned with proof of purchase date; and (d) it is found upon inspection by us that the item(s) is/are defective as noted above. This warranty does not cover Labor costs or consequential damages, nor does it apply to any item(s) that has/have been improperly installed, overloaded, altered, or otherwise abused by the customer, its agent(s) or employee(s).

ALL finishes have a Limited warranty for three (3) years, are specifically excluded from the terms of this warranty since they are subject to environmental and maintenance damages beyond our control. Other than the described obligation, we assume no further Liability with respect to the sale or use of our products. We make no warranty, express or implied, and disclaim any warranty of merchantability or fitness for a particular purpose.



DIVISION CONSTRUCTION SUPPLY, INC.

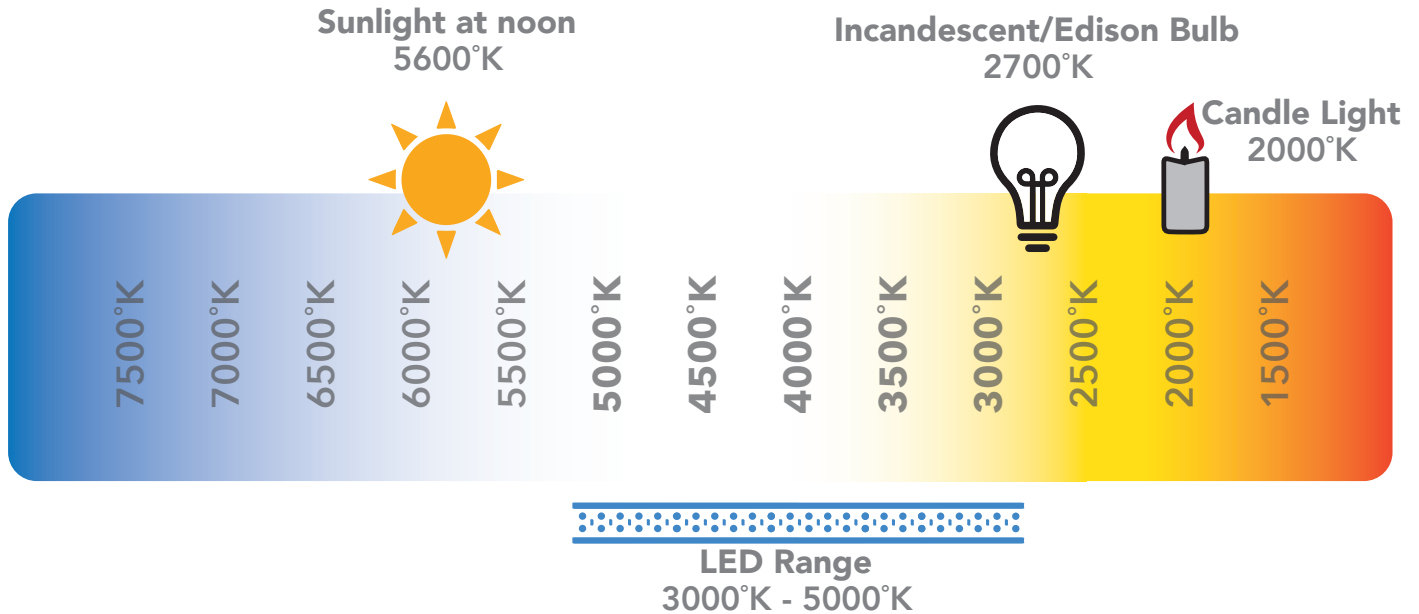
Multi-Family Industry
New Construction & Renovation Specialists

Table of Contents

Ceiling Fans	2-39
Disk Lights	40-65
Outdoor	66-91
Utility	92-111
Area Lighting	112-148
Track	149-158
Exit & Emergency	159-164
Bulbs	165-172

Reference Information

Color Temperature Chart



Symbols & Abbreviations

CCT

Color changing fixtures allow you to change the light color (30K, 40K, or 50K) using a switch.

MV

Multi-volt fixtures will work with 120v or 277v power output.

CFM

Cubic feet per minute of air movement by a fan.



ADA Compliant

ADA Compliant

Wall hung fixtures extend from the wall less than or equal than 4 inches.



Bug Resistant

Fixtures are sealed and/or gasketed in such a way that prevents bugs from entering.



Coastal

Fixtures are made from materials that tend to resist corrosion in coastal environments.



Corrosion Resistant

Fixtures are made from materials that tend to resist corrosion in general applications.



Wet Location

Fixtures are approved for use outdoors in areas that may be exposed to rain.



Dark Sky Approved

Fixtures are designed in such a way that minimizes light output up vertically as to avoid contributing to light pollution.

Remittance Address

PO Box 77189
Fort Worth, TX 76177

Contact Information

469-640-2697
sales@dcsupplyinc.net

Ceiling Fans

52" 3-Blade Fan



DCCF9830
Standard Blade Package
Brushed Nickel w/ Walnut Blades



DCCF9830
Standard Blade Package
Brushed Nickel w/ BN Blades



DCCF9830
Standard Blade Package
White w/ White Blades

Applications

These fans deliver contemporary European styling along with comfort and excellent value. Unique design fans have an essence of class and destination.

Specification Features

ETL	Indoor Applications
Blade Sweep	52"
Blades	3 - Non Reversible - ABS
Lead Wire	76"
Motor Type	AC - 172 x 20mm motor
Voltage	120v
Blade Pitch	14°
Downrod Length	6"
Light Kit	Integrated light kit with 15w LED and frosted opal glass diffuser
Control	Wall Control

Performance & Energy Information

Fan Speed	CFM	Watts	CFM/Watt
High	5,982	71.57	85
Medium	3,889	31.59	123
Low	2,264	13.37	169

Wall Controls



- DWC Fan & Light Wall Control**
- 4 Speed Control
 - Dual Slide
 - White finish
 - Dimmer
 - H - 4.625" W - 2.75"
 - 120V/60Hz

DCWS-200



- SWC Fan & Light Wall Control**
- 3 Speed Control
 - On/Off Light Control
 - White finish

DCWS-202

Light Kit

Wattage	Kelvin	Lumens	CRI
15w	30K	1,600	80

Ordering Example:

DCCF9830-BN-WAL-17W-30K-SWC

Prefix	Finish	Blades	Light Kit	Kelvin/CCT	Options
DCCF9830	BN = Brushed Nickel WH = White	WAL = Walnut BN = Brushed Nickel WH = White	15W = 15W Integrated LED	30K = 3000° Kelvin	SWC = Standard Wall Control DWC = Dimmable Wall Control



Ceiling Fans

52" 3&4-Blade Fans



Applications

These fans deliver contemporary European styling along with comfort and excellent value. Unique design fans have an essence of class and destination.

Specification Features

ETL	Indoor Applications
Blade Sweep	52"
Blades	3/4 - Reversible - ABS
Lead Wire	54"
Motor Type	AC - 153 x 18mm motor
Voltage	120v
Blade Pitch	14°
Downrod Length	6"
Speeds	3 - Reversible Motor
Light Kit	None
Control	Pull Chain / Wall Control

Performance & Energy Information

Fan Speed	CFM	Watts	CFM/Watt
High	4,850	55.2	88
Medium	3,280	29.1	113
Low	1,865	13.3	140

Wall Controls



DWC
Fan & Light Wall Control

- 4 Speed Control
- Dual Slide
- White finish
- Dimmer
- H - 4.625" W - 2.75"
- 120V/60Hz

DCWS-200



SWC
Fan & Light Wall Control

- 3 Speed Control
- On/Off Light Control
- White finish

DCWS-202



DCCF822

4 Blade Fan
Standard Blade Package
All Blade Finishes
Pull Chain Control



DCCF9822

4 Blade Fan
Standard Blade Package
All Blade Finishes
Wall Control



DCCF821

3 Blade Fan
Standard Blade Package
All Blade Finishes
Pull Chain Control



DCCF9821

3 Blade Fan
Standard Blade Package
All Blade Finishes
Wall Control



Ordering Example:

DCCF9822-BN-WAL-SWC

Prefix	Finish	Blades	Light Kit	Kelvin/CCT	Options
DCCF821	BN = Brushed Nickel	BN = Brushed Nickel	Blank = No Light Kit	30K = 3000° Kelvin	SWC = Standard Wall Control
DCCF822	CH = Chrome	WAL = Walnut	20W = 2x 10W E26		DWC = Dimmable Wall Control
DCCF9821	ORB = Oil Rubbed Bronze	ORB = Oil Rubbed Bronze			
DCCF9822	BK = Black WH = White	BK = Black WH = White			



Ceiling Fans

3-Blade Fans



DCCF9856
54" Standard Blade Package
All Brushed Nickel Blades



DCCF9860
52" Standard Blade Package
All Brushed Nickel Blades
20W Light Kit



DCCF9864
52" Standard Blade Package
All Brushed Nickel Blades

Light Kit

Wattage	Kelvin	Lumens	CRI
20w	30K	1,600	80

Ordering Example:

DCCF9860-BN-BN-20W-30K-SWC

Prefix	Finish	Blades	Light Kit	Kelvin/CCT	Options
DCCF9856	BN = Brushed Nickel	BN = Brushed Nickel	Blank = No Light Kit	30K = 3000° Kelvin	SWC = Standard Wall Control
DCCF9860			20W = 2x 10W E26		DWC = Dimmable Wall Control
DCCF9864					

Applications

These fans deliver contemporary European styling along with comfort and excellent value. Unique design fans have an essence of class and destination.

Specification Features

ETL	Indoor Applications
Blade Sweep	98556 - 54", 9860/9864 - 52"
Blades	3 - Non Reversible - Plywood
Lead Wire	54"
Motor Type	9856 - AC - 153 x 18mm motor 9860/9864 - AC - 188 x 20mm motor
Voltage	120v
Blade Pitch	14°
Downrod Length	6"
Light Kit	DCCF9860 - Satin White Glass Diffuser DCCF9864 - No Light Kit
Socket	2 x E26 10w LED Bulbs, 30K, 800lm (not included)
Control	Wall Control

9856 Performance & Energy Information

Fan Speed	CFM	Watts	CFM/Watt
High	4,850	55.2	88
Medium	3,280	29.1	113
Low	1,865	13.3	140

9860/9864 Performance & Energy Information

Fan Speed	CFM	Watts	CFM/Watt
High	5,156	60.3	85.5
Medium	3,561	38.3	92.9
Low	2,771	19.7	140



Ceiling Fans

50" 3- Curved Blade Fan



DCCF9800-BN-BN
Standard Blade Package
All Brushed Nickel Blades



DCCF9800-BN-WAL
Standard Blade Package
All Walnut Blades



DCCF9800-ORB-ORB
Standard Blade Package
All Oil Rubbed Bronze Blades

Applications

These fans deliver contemporary European styling along with comfort and excellent value. Unique design fans have an essence of class and destination.

Specification Features

ETL	Indoor Applications
Blade Sweep	50"
Blades	3 - Non Reversible - Plywood
Lead Wire	54"
Motor Type	AC - 153 x 15mm motor
Voltage	120v
Blade Pitch	12°
Downrod Length	6"
Speeds	3 - Reversible Motor
Light Kit	Satin White Glass Diffuser
Socket	2 x E26 10w LED Bulbs, 30K, 800lm (not included)
Control	Wall Control

Performance & Energy Information

Fan Speed	CFM	Watts	CFM/Watt
High	5,313	54.6	97
Medium	3,363	25	134
Low	2,060	9.3	221

Wall Controls



DWC Fan & Light Wall Control

- 4 Speed Control
- Dual Slide
- White finish
- Dimmer
- H - 4.625" W - 2.75"
- 120V/60Hz

DCWS-200



SWC Fan & Light Wall Control

- 3 Speed Control
- On/Off Light Control
- White finish

DCWS-202



Light Kit

Wattage	Kelvin	Lumens	CRI
20w (2x 10W LED)	30K	1,600	80

Ordering Example:

DCCF9800-BN-BN-20W-30K-SWC

Prefix	Finish	Blades	Light Kit	Kelvin/CCT	Options
DCCF9800	BN = Brushed Nickel ORB = Oil Rubbed Bronze	BN = Brushed Nickel WAL = Walnut ORB = Oil Rubbed Bronze	20W = 2x 10W E26	30K = 3000° Kelvin	SWC = Standard Wall Control DWC = Dimmable Wall Control



Intertek

Ceiling Fans

50" 3-Curved Blade Fan



DCCF9800-BK-BK
Standard Blade Package
All Black Blades



DCCF9800-WH-WH
Standard Blade Package
All White Blades

Applications

These fans deliver contemporary European styling along with comfort and excellent value. Unique design fans have an essence of class and destination.

Specification Features

ETL	Indoor Applications
Blade Sweep	50"
Blades	3 - Non Reversible - Plywood
Lead Wire	54"
Motor Type	AC - 153 x 15mm motor
Voltage	120v
Blade Pitch	12°
Downrod Length	6"
Speeds	3 - Reversible Motor
Light Kit	Satin White Glass Diffuser
Socket	2 x E26 10w LED Bulbs, 30K, 800lm (not included)
Control	Wall Control

Performance & Energy Information

Fan Speed	CFM	Watts	CFM/Watt
High	5,313	54.6	97
Medium	3,363	25	134
Low	2,060	9.3	221

Wall Controls



DWC Fan & Light Wall Control

- 4 Speed Control
- Dual Slide
- White finish
- Dimmer
- H - 4.625" W - 2.75"
- 120V/60Hz

DCWS-200



SWC Fan & Light Wall Control

- 3 Speed Control
- On/Off Light Control
- White finish

DCWS-202



Light Kit

Wattage	Kelvin	Lumens	CRI
20w (2x 10W LED)	30K	1,600	80

Ordering Example:

DCCF9800-BK-BK-20W-30K-SWC

Prefix	Finish	Blades	Light Kit	Kelvin/CCT	Options
DCCF9800	BK = Black WH = White	BK = Black WH = White	20W = 2x 10W E26	30K = 3000° Kelvin	SWC = Standard Wall Control DWC = Dimmable Wall Control



Intertek

Ceiling Fans

50" 3-Blade Fan



Applications

These fans deliver contemporary European styling along with comfort and excellent value. Unique design fans have an essence of class and destination.

Specification Features

ETL	Indoor Applications
Blade Sweep	50"
Blades	3 - Reversible - Plywood
Lead Wire	54"
Motor Type	AC - 153 x 15mm motor
Voltage	120v
Blade Pitch	12°
Downrod Length	6"
Speeds	3 - Reversible Motor
Light Kit	Satin White Glass Diffuser
Socket	2 x E26 10w LED Bulbs, 30K, 800lm (not included)
Control	Wall Control

Performance & Energy Information

Fan Speed	CFM	Watts	CFM/Watt
High	5,420	65	83
Medium	3,450	33	105
Low	2,300	13	177



DCCF9870-BN-BN
Standard Blade Package
All Brushed Nickel Blades



DCCF9870-BN-WAL
Standard Blade Package
All Walnut Blades



DCCF9870-ORB-ORB
Standard Blade Package
All Oil Rubbed Bronze Blades

Wall Controls



DWC Fan & Light Wall Control

- 4 Speed Control
- Dual Slide
- White finish
- Dimmer
- H - 4.625" W - 2.75"
- 120V/60Hz

DCWS-200



SWC Fan & Light Wall Control

- 3 Speed Control
- On/Off Light Control
- White finish

DCWS-202



Light Kit

Wattage	Kelvin	Lumens	CRI
20w (2x 10W LED)	30K	1,600	80

Ordering Example:

DCCF9870-BN-BN-20W-30K-SWC

Prefix	Finish	Blades	Light Kit	Kelvin/CCT	Options
DCCF9870	BN = Brushed Nickel ORB = Oil Rubbed Bronze	BN = Brushed Nickel WAL = Walnut ORB = Oil Rubbed Bronze	20W = 2x 10W E26	30K = 3000° Kelvin	SWC = Standard Wall Control DWC = Dimmable Wall Control



Intertek

Ceiling Fans

50" 3-Blade Fan



Applications

These fans deliver contemporary European styling along with comfort and excellent value. Unique design fans have an essence of class and destination.

Specification Features

ETL	Indoor Applications
Blade Sweep	50"
Blades	3 - Reversible - Plywood
Lead Wire	54"
Motor Type	AC - 153 x 15mm motor
Voltage	120v
Blade Pitch	12°
Downrod Length	6"
Speeds	3 - Reversible Motor
Light Kit	Satin White Glass Diffuser
Socket	2 x E26 10w LED Bulbs, 30K, 800lm (not included)
Control	Wall Control

Performance & Energy Information

Fan Speed	CFM	Watts	CFM/Watt
High	5,420	65	83
Medium	3,450	33	105
Low	2,300	13	177



DCCF9870-BK-BK
Standard Blade Package
All Black Blades



DCCF9870-WH-WH
Standard Blade Package
All White Blades

Wall Controls



- DWC Fan & Light Wall Control**
- 4 Speed Control
 - Dual Slide
 - White finish
 - Dimmer
 - H - 4.625" W - 2.75"
 - 120V/60Hz

DCWS-200



- SWC Fan & Light Wall Control**
- 3 Speed Control
 - On/Off Light Control
 - White finish

DCWS-202



Light Kit

Wattage	Kelvin	Lumens	CRI
20w (2x 10W LED)	30K	1,600	80

Ordering Example:

DCCF9870-BK-BK-20W-30K-SWC

Prefix	Finish	Blades	Light Kit	Kelvin/CCT	Options
DCCF9870	BK = Black WH = White	BK = Black WH = White	20W = 2x 10W E26	30K = 3000° Kelvin	SWC = Standard Wall Control DWC = Dimmable Wall Control



Ceiling Fans

50" 4-Blade Fan



DCCF9874-BN-BN
Standard Blade Package
All Brushed Nickel Blades



DCCF9874-BN-WAL
Standard Blade Package
All Walnut Blades



DCCF9874-ORB-ORB
Standard Blade Package
All Oil Rubbed Bronze Blades

Applications

These fans deliver contemporary European styling along with comfort and excellent value. Unique design fans have an essence of class and destination.

Specification Features

ETL	Indoor Applications
Blade Sweep	50"
Blades	4 - Reversible - Plywood
Lead Wire	54"
Motor Type	AC - 153 x 15mm motor
Voltage	120v
Blade Pitch	12°
Downrod Length	6"
Speeds	3 - Reversible Motor
Light Kit	Satin White Glass Diffuser
Socket	2 x E26 10w LED Bulbs, 30K, 800lm (not included)
Control	Wall Control

Performance & Energy Information

Fan Speed	CFM	Watts	CFM/Watt
High	5,695	59	97
Medium	3,841	28	136
Low	2,889	11	208

Wall Controls



- DWC Fan & Light Wall Control**
- 4 Speed Control
 - Dual Slide
 - White finish
 - Dimmer
 - H - 4.625" W - 2.75"
 - 120V/60Hz

DCWS-200



- SWC Fan & Light Wall Control**
- 3 Speed Control
 - On/Off Light Control
 - White finish

DCWS-202



Light Kit

Wattage	Kelvin	Lumens	CRI
20w (2x 10W LED)	30K	1,600	80

Ordering Example:

DCCF9874-BN-WAL-20W-30K-SWC

Prefix	Finish	Blades	Light Kit	Kelvin/CCT	Options
DCCF9874	BN = Brushed Nickel ORB = Oil Rubbed Bronze	BN = Brushed Nickel WAL = Walnut ORB = Oil Rubbed Bronze	20W = 2x 10W E26	30K = 3000° Kelvin	SWC = Standard Wall Control DWC = Dimmable Wall Control



Intertek

Ceiling Fans

50" 4-Blade Fan



Applications

These fans deliver contemporary European styling along with comfort and excellent value. Unique design fans have an essence of class and destination.

Specification Features

ETL	Indoor Applications
Blade Sweep	50"
Blades	4 - Reversible - Plywood
Lead Wire	54"
Motor Type	AC - 153 x 15mm motor
Voltage	120v
Blade Pitch	12°
Downrod Length	6"
Speeds	3 - Reversible Motor
Light Kit	Satin White Glass Diffuser
Socket	2 x E26 10w LED Bulbs, 30K, 800lm (not included)
Control	Wall Control



DCCF9874-BK-BK
Standard Blade Package
All Black Blades



DCCF9874-WH-WH
Standard Blade Package
All White Blades

Performance & Energy Information

Fan Speed	CFM	Watts	CFM/Watt
High	5,695	59	97
Medium	3,841	28	136
Low	2,889	11	208

Wall Controls



DWC Fan & Light Wall Control

- 4 Speed Control
- Dual Slide
- White finish
- Dimmer
- H - 4.625" W - 2.75"
- 120V/60Hz

DCWS-200



SWC Fan & Light Wall Control

- 3 Speed Control
- On/Off Light Control
- White finish

DCWS-202



Light Kit

Wattage	Kelvin	Lumens	CRI
20w (2x 10W LED)	30K	1,600	80

Ordering Example:

DCCF9874-BK-BK-20W-30K-SWC

Prefix	Finish	Blades	Light Kit	Kelvin/CCT	Options
DCCF9874	BK = Black WH = White	BK = Black WH = White	20W = 2x 10W E26	30K = 3000° Kelvin	SWC = Standard Wall Control DWC = Dimmable Wall Control



Intertek

Ceiling Fans

50" 5-Blade Fan



DCCF9876-BN-BN
Standard Blade Package
All Brushed Nickel Blades



DCCF9876-BN-WAL
Standard Blade Package
All Walnut Blades



DCCF9876-ORB-ORB
Standard Blade Package
All Oil Rubbed Bronze Blades

Applications

These fans deliver contemporary European styling along with comfort and excellent value. Unique design fans have an essence of class and destination.

Specification Features

ETL	Indoor Applications
Blade Sweep	50"
Blades	5 - Reversible - Plywood
Lead Wire	54"
Motor Type	AC - 153 x 18mm motor
Voltage	120v
Blade Pitch	12°
Downrod Length	6"
Speeds	3 - Reversible Motor
Light Kit	Satin White Glass Diffuser
Socket	2 x E26 10w LED Bulbs, 30K, 800lm (not included)
Control	Wall Control

Performance & Energy Information

Fan Speed	CFM	Watts	CFM/Watt
High	5,695	59	97
Medium	3,841	28	136
Low	2,889	11	208

Wall Controls



- DWC Fan & Light Wall Control**
- 4 Speed Control
 - Dual Slide
 - White finish
 - Dimmer
 - H - 4.625" W - 2.75"
 - 120V/60Hz

DCWS-200



- SWC Fan & Light Wall Control**
- 3 Speed Control
 - On/Off Light Control
 - White finish

DCWS-202



Light Kit

Wattage	Kelvin	Lumens	CRI
20w (2x 10W LED)	30K	1,600	80

Ordering Example:

DCCF9876-BN-WAL-20W-30K-SWC

Prefix	Finish	Blades	Light Kit	Kelvin/CCT	Options
DCCF9876	BN = Brushed Nickel ORB = Oil Rubbed Bronze	BN = Brushed Nickel WAL = Walnut ORB = Oil Rubbed Bronze	20W = 2x 10W E26	30K = 3000° Kelvin	SWC = Standard Wall Control DWC = Dimmable Wall Control



Ceiling Fans

50" 5-Blade Fan



DCCF9876-BK-BK
Standard Blade Package
All Black Blades



DCCF9876-WH-WH
Standard Blade Package
All White Blades

Applications

These fans deliver contemporary European styling along with comfort and excellent value. Unique design fans have an essence of class and destination.

Specification Features

ETL	Indoor Applications
Blade Sweep	50"
Blades	5 - Reversible - Plywood
Lead Wire	54"
Motor Type	AC - 153 x 18mm motor
Voltage	120v
Blade Pitch	12°
Downrod Length	6"
Speeds	3 - Reversible Motor
Light Kit	Satin White Glass Diffuser
Socket	2 x E26 10w LED Bulbs, 30K, 800lm (not included)
Control	Wall Control

Performance & Energy Information

Fan Speed	CFM	Watts	CFM/Watt
High	5,695	59	97
Medium	3,841	28	136
Low	2,889	11	208

Wall Controls



- DWC Fan & Light Wall Control**
- 4 Speed Control
 - Dual Slide
 - White finish
 - Dimmer
 - H - 4.625" W - 2.75"
 - 120V/60Hz

DCWS-200



- SWC Fan & Light Wall Control**
- 3 Speed Control
 - On/Off Light Control
 - White finish

DCWS-202



Light Kit

Wattage	Kelvin	Lumens	CRI
20w (2x 10W LED)	30K	1,600	80

Ordering Example:

DCCF9876-BK-BK-20W-30K-SWC

Prefix	Finish	Blades	Light Kit	Kelvin/CCT	Options
DCCF9876	BK = Black WH = White	BK = Black WH = White	20W = 2x 10W E26	30K = 3000° Kelvin	SWC = Standard Wall Control DWC = Dimmable Wall Control



Intertek

Ceiling Fans

52" 5-Blade Fan



Applications

These fans deliver contemporary European styling along with comfort and excellent value. Unique design fans have an essence of class and destination.

Specification Features

ETL	Indoor Applications
Blade Sweep	52"
Blades	5 - Non Reversible - ABS
Lead Wire	54"
Motor Type	AC - 153 x 18mm motor
Voltage	120v
Blade Pitch	12°
Downrod Length	6"
Speeds	3 - Reversible Motor
Light Kit	White Opal Glass Diffuser
Socket	2 x E26 10w LED Bulbs, 30K, 800lm (not included)
Control	Wall Control

Performance & Energy Information

Fan Speed	CFM	Watts	CFM/Watt
High	5,212	52	185
Medium	3,841	28	138
Low	2,889	14	95

Wall Controls



DWC Fan & Light Wall Control

- 4 Speed Control
- Dual Slide
- White finish
- Dimmer
- H - 4.625" W - 2.75"
- 120V/60Hz

DCWS-200



SWC Fan & Light Wall Control

- 3 Speed Control
- On/Off Light Control
- White finish

DCWS-202



DCCF9832-BN-BK
Standard Blade Package
Brushed Nickel with Black Blades



DCCF9832-BN-BN
Standard Blade Package
Brushed Nickel with Brushed Nickel Blades



DCCF9832-MBK-BK
Standard Blade Package
Matte Black with Black Blades

Light Kit

Wattage	Kelvin	Lumens	CRI
20w (2x 10W LED)	30K	1,600	80

Ordering Example:

DCCF9832-BN-BN-20W-30K-SWC

Prefix	Finish	Blades	Light Kit	Kelvin/CCT	Options
DCCF9832	BN = Brushed Nickel MB = Matte Black	BN = Brushed Nickel BK = Black	20W = 2x 10W E26	30K = 3000° Kelvin	SWC = Standard Wall Control DWC = Dimmable Wall Control



Ceiling Fans

52" 5-Blade Fan



Applications

These fans deliver contemporary European styling along with comfort and excellent value. Unique design fans have an essence of class and destination.

Specification Features

ETL	Indoor Applications
Blade Sweep	52"
Blades	5 - Reversible - Plywood
Lead Wire	54"
Motor Type	AC - 153 x 18mm motor
Voltage	120v
Blade Pitch	11°
Downrod Length	6"
Speeds	3 - Reversible Motor
Light Kit	Satin White Glass Diffuser
Socket	2 x E26 10w LED Bulbs, 30K, 800lm (not included)
Control	Wall Control

Performance & Energy Information

Fan Speed	CFM	Watts	CFM/Watt
High	5,232	57.4	91.15
Medium	3,496	33	105.94
Low	2,254	13.6	165.74

Wall Controls



DWC Fan & Light Wall Control

- 4 Speed Control
- Dual Slide
- White finish
- Dimmer
- H - 4.625" W - 2.75"
- 120V/60Hz

DCWS-200



SWC Fan & Light Wall Control

- 3 Speed Control
- On/Off Light Control
- White finish

DCWS-202



DCCF9810-ORB-DCH/WAL
Standard Blade Package
Walnut/Dark Cherry Blades



DCCF9810-BN-BN
Standard Blade Package
All Brushed Nickel Blades

Can be hung as flush mount or with downrod

Additional Light Kit Options	pg. 31-35
Additional Fan Blade Options	pg. 37

Light Kit

Wattage	Kelvin	Lumens	CRI
20w (2x 10W LED)	30K	1,600	80

Ordering Example:

DCCF9810-BN-WAL-LK9330-30K-SWC

Prefix	Finish	Blades	Light Kit	Kelvin/CCT	Options
DCCF9810	BN = Brushed Nickel ORB = Oil Rubbed Bronze	BN = Brushed Nickel DCH/WAL = Dark Cherry / Walnut	Blank = None LK9330 = 2x 10w E26	30K = 3000° Kelvin	SWC = Standard Wall Control DWC = Dimmable Wall Control



Intertek

Ceiling Fans

50" 3- Curved Blade Fan



DCCF800-BN-BN
Standard Blade Package
All Brushed Nickel Blades



DCCF800-BN-WAL
Standard Blade Package
All Walnut Blades



DCCF800-ORB-ORB
Standard Blade Package
All Oil Rubbed Bronze Blades

Applications

These fans deliver contemporary European styling along with comfort and excellent value. Unique design fans have an essence of class and destination.

Specification Features

ETL	Indoor Applications
Blade Sweep	52"
Blades	3 - Non Reversible - Plywood
Lead Wire	54"
Motor Type	AC - 153 x 15mm motor
Voltage	120v
Blade Pitch	12°
Downrod Length	6"
Speeds	3 - Reversible Motor
Light Kit	Satin White Glass Diffuser
Socket	2 x E26 10w LED Bulbs, 30K, 800lm (not included)
Control	Pull Chain

Performance & Energy Information

Fan Speed	CFM	Watts	CFM/Watt
High	5,313	54.6	97
Medium	3,363	25	134
Low	2,060	9.3	221

Light Kit

Wattage	Kelvin	Lumens	CRI
20w (2x 10W LED)	30K	1,600	80

Ordering Example:

DCCF800-BN-WAL-20W-30K-PC

Prefix	Finish	Blades	Light Kit	Kelvin/CCT	Options
DCCF800	BN = Brushed Nickel ORB = Oil Rubbed Bronze	BN = Brushed Nickel WAL = Walnut ORB = Oil Rubbed Bronze	20W = 2x 10W E26	30K = 3000° Kelvin	PC = Pull Chain



Ceiling Fans

50" 3-Curved Blade Fan



DCCF800-BK-BK
Standard Blade Package
All Black Blades



DCCF800-WH-WH
Standard Blade Package
All White Blades

Applications

These fans deliver contemporary European styling along with comfort and excellent value. Unique design fans have an essence of class and destination.

Specification Features

ETL	Indoor Applications
Blade Sweep	52"
Blades	3 - Non Reversible - Plywood
Lead Wire	54"
Motor Type	AC - 153 x 15mm motor
Voltage	120v
Blade Pitch	12°
Downrod Length	6"
Speeds	3 - Reversible Motor
Light Kit	Satin White Glass Diffuser
Socket	2 x E26 10w LED Bulbs, 30K, 800lm (not included)
Control	Pull Chain

Performance & Energy Information

Fan Speed	CFM	Watts	CFM/Watt
High	5,313	54.6	97
Medium	3,363	25	134
Low	2,060	9.3	221

Light Kit

Wattage	Kelvin	Lumens	CRI
20w (2x 10W LED)	30K	1,600	80

Ordering Example:

DCCF800-BK-BK-20W-30K-PC

Prefix	Finish	Blades	Light Kit	Kelvin/CCT	Options
DCCF800	BK = Black WH = White	BK = Black WH = White	20W = 2x 10W E26	30K = 3000° Kelvin	PC = Pull Chain



Ceiling Fans

50" 3-Blade Fan



DCCF870-BN-BN
Standard Blade Package
All Brushed Nickel Blades



DCCF870-BN-WAL
Standard Blade Package
All Walnut Blades



DCCF870-ORB-ORB
Standard Blade Package
All Oil Rubbed Bronze Blades

Applications

These fans deliver contemporary European styling along with comfort and excellent value. Unique design fans have an essence of class and destination.

Specification Features

ETL	Indoor Applications
Blade Sweep	50"
Blades	3 - Reversible - Plywood
Lead Wire	54"
Motor Type	AC - 153 x 15mm motor
Voltage	120v
Blade Pitch	12°
Downrod Length	6"
Speeds	3 - Reversible Motor
Light Kit	Satin White Glass Diffuser
Socket	2 x E26 10w LED Bulbs, 30K, 800lm (not included)
Control	Pull Chain

Performance & Energy Information

Fan Speed	CFM	Watts	CFM/Watt
High	5,420	65	83
Medium	3,450	33	105
Low	2,300	13	177

Light Kit

Wattage	Kelvin	Lumens	CRI
20w (2x 10W LED)	30K	1,600	80

Ordering Example:

DCCF870-BN-WAL-20W-30K-PC

Prefix	Finish	Blades	Light Kit	Kelvin/CCT	Options
DCCF870	BN = Brushed Nickel ORB = Oil Rubbed Bronze	BN = Brushed Nickel WAL = Walnut ORB = Oil Rubbed Bronze	20W = 2x 10W E26	30K = 3000° Kelvin	PC = Pull Chain



Ceiling Fans

50" 3-Blade Fan



DCCF870-BK-BK
Standard Blade Package
All Black Blades



DCCF870-WH-WH
Standard Blade Package
All White Blades

Applications

These fans deliver contemporary European styling along with comfort and excellent value. Unique design fans have an essence of class and destination.

Specification Features

ETL	Indoor Applications
Blade Sweep	50"
Blades	3 - Reversible - Plywood
Lead Wire	54"
Motor Type	AC - 153 x 15mm motor
Voltage	120v
Blade Pitch	12°
Downrod Length	6"
Speeds	3 - Reversible Motor
Light Kit	Satin White Glass Diffuser
Socket	2 x E26 10w LED Bulbs, 30K, 800lm (not included)
Control	Pull Chain

Performance & Energy Information

Fan Speed	CFM	Watts	CFM/Watt
High	5,420	65	83
Medium	3,450	33	105
Low	2,300	13	177

Light Kit

Wattage	Kelvin	Lumens	CRI
20w (2x 10W LED)	30K	1,600	80

Ordering Example:

DCCF870-BK-BK-20W-30K-PC

Prefix	Finish	Blades	Light Kit	Kelvin/CCT	Options
DCCF870	BK = Black WH = White	BK = Black WH = White	20W = 2x 10W E26	30K = 3000° Kelvin	PC = Pull Chain



Ceiling Fans

50" 4-Blade Fan



DCCF874-BN-BN
Standard Blade Package
All Brushed Nickel Blades



DCCF874-BN-WAL
Standard Blade Package
All Walnut Blades



DCCF874-ORB-ORB
Standard Blade Package
All Oil Rubbed Bronze Blades

Applications

These fans deliver contemporary European styling along with comfort and excellent value. Unique design fans have an essence of class and destination.

Specification Features

ETL	Indoor Applications
Blade Sweep	50"
Blades	4 - Reversible - Plywood
Lead Wire	54"
Motor Type	AC - 153 x 15mm motor
Voltage	120v
Blade Pitch	12°
Downrod Length	6"
Speeds	3 - Reversible Motor
Light Kit	Satin White Glass Diffuser
Socket	2 x E26 10w LED Bulbs, 30K, 800lm (not included)
Control	Pull Chain

Performance & Energy Information

Fan Speed	CFM	Watts	CFM/Watt
High	5,695	59	97
Medium	3,841	28	136
Low	2,889	11	208

Light Kit

Wattage	Kelvin	Lumens	CRI
20w (2x 10W LED)	30K	1,600	80

Ordering Example:

DCCF874-BN-WAL-20W-30K-PC

Prefix	Finish	Blades	Light Kit	Kelvin/CCT	Options
DCCF874	BN = Brushed Nickel ORB = Oil Rubbed Bronze	BN = Brushed Nickel WAL = Walnut ORB = Oil Rubbed Bronze	20W = 2x 10W E26	30K = 3000° Kelvin	PC = Pull Chain



Ceiling Fans

50" 4-Blade Fan



DCCF874-BK-BK
Standard Blade Package
All Black Blades



DCCF874-WH-WH
Standard Blade Package
All White Blades

Applications

These fans deliver contemporary European styling along with comfort and excellent value. Unique design fans have an essence of class and destination.

Specification Features

ETL	Indoor Applications
Blade Sweep	50"
Blades	4 - Reversible - Plywood
Lead Wire	54"
Motor Type	AC - 153 x 15mm motor
Voltage	120v
Blade Pitch	12°
Downrod Length	6"
Speeds	3 - Reversible Motor
Light Kit	Satin White Glass Diffuser
Socket	2 x E26 10w LED Bulbs, 30K, 800lm (not included)
Control	Pull Chain

Performance & Energy Information

Fan Speed	CFM	Watts	CFM/Watt
High	5,695	59	97
Medium	3,841	28	136
Low	2,889	11	208

Light Kit

Wattage	Kelvin	Lumens	CRI
20w (2x 10W LED)	30K	1,600	80

Ordering Example:

DCCF874-BK-BK-20W-30K-PC

Prefix	Finish	Blades	Light Kit	Kelvin/CCT	Options
DCCF874	BK = Black WH = White	BK = Black WH = White	20W = 2x 10W E26	30K = 3000° Kelvin	PC = Pull Chain



Ceiling Fans

50" 5-Blade Fan



DCCF876-BN-BN
Standard Blade Package
All Brushed Nickel Blades



DCCF876-BN-WAL
Standard Blade Package
All Walnut Blades



DCCF876-ORB-ORB
Standard Blade Package
All Oil Rubbed Bronze Blades

Applications

These fans deliver contemporary European styling along with comfort and excellent value. Unique design fans have an essence of class and destination.

Specification Features

ETL	Indoor Applications
Blade Sweep	50"
Blades	5 - Reversible - Plywood
Lead Wire	54"
Motor Type	AC - 153 x 18mm motor
Voltage	120v
Blade Pitch	12°
Downrod Length	6"
Speeds	3 - Reversible Motor
Light Kit	Satin White Glass Diffuser
Socket	2 x E26 10w LED Bulbs, 30K, 800lm (not included)
Control	Pull Chain

Performance & Energy Information

Fan Speed	CFM	Watts	CFM/Watt
High	5,695	59	97
Medium	3,841	28	136
Low	2,889	11	208

Light Kit

Wattage	Kelvin	Lumens	CRI
20w (2x 10W LED)	30K	1,600	80

Ordering Example:

DCCF876-BN-WAL-20W-30K-PC

Prefix	Finish	Blades	Light Kit	Kelvin/CCT	Options
DCCF876	BN = Brushed Nickel ORB = Oil Rubbed Bronze	BN = Brushed Nickel WAL = Walnut ORB = Oil Rubbed Bronze	20W = 2x 10W E26	30K = 3000° Kelvin	PC = Pull Chain



Ceiling Fans

50" 5-Blade Fan



DCCF876-BK-BK
Standard Blade Package
All Black Blades



DCCF876-WH-WH
Standard Blade Package
All White Blades

Applications

These fans deliver contemporary European styling along with comfort and excellent value. Unique design fans have an essence of class and destination.

Specification Features

ETL	Indoor Applications
Blade Sweep	50"
Blades	5 - Reversible - Plywood
Lead Wire	54"
Motor Type	AC - 153 x 18mm motor
Voltage	120v
Blade Pitch	12°
Downrod Length	6"
Speeds	3 - Reversible Motor
Light Kit	Satin White Glass Diffuser
Socket	2 x E26 10w LED Bulbs, 30K, 800lm (not included)
Control	Pull Chain

Performance & Energy Information

Fan Speed	CFM	Watts	CFM/Watt
High	5,695	59	97
Medium	3,841	28	136
Low	2,889	11	208

Light Kit

Wattage	Kelvin	Lumens	CRI
20w (2x 10W LED)	30K	1,600	80

Ordering Example:

DCCF876-BK-BK-20W-30K-PC

Prefix	Finish	Blades	Light Kit	Kelvin/CCT	Options
DCCF876	BK = Black WH = White	BK = Black WH = White	20W = 2x 10W E26	30K = 3000° Kelvin	PC = Pull Chain



Ceiling Fans

52" 3-Blade Fan with Optional Light Kit



DCCF808-BN-BN-LK9330-PC

Standard Blade Package
All Brushed Nickel Blades



DCCF808-BN-BK-LK9330-PC

Standard Blade Package
All Black Blades

Applications

These fans deliver contemporary European styling along with comfort and excellent value. Unique design fans have an essence of class and destination.

Specification Features

ETL	Indoor Applications
Blade Sweep	52"
Blades	3 - Non Reversible - MDF
Lead Wire	54"
Motor Type	AC - 153 x 15mm motor
Voltage	120v
Blade Pitch	11°
Downrod Length	6"
Speeds	3 - Reversible Motor
Light Kit	Adaptable (Sold Separately)
Socket	2 x E26 10w LED Bulbs, 30K, 800lm (not included)
Control	Pull Chain

Performance & Energy Information

Fan Speed	CFM	Watts	CFM/Watt
High	5,585	60.5	92.3
Medium	3,781	27	137
Low	2,751	10.5	262

Light Kit

Part	Wattage	Kelvin	Lumens	CRI
LK9330-20W-30K-PC	20w (2x 10W LED)	30K	1,600	80

Ordering Example:

DCCF808-BN-BK-LK9330-20W-30K-PC

Prefix	Finish	Blades	Light Kit	Kelvin/CCT	Options
DCCF808	BN = Brushed Nickel	BN = Brushed Nickel BK = Black	Blank = None LK9330-20W = 2x 10W E26	30K = 3000° Kelvin	PC = Pull Chain



Ceiling Fans

52" 5-Blade Builder Fan with Optional Light Kit



DCCF8552-BN-MAP/WAL
Standard Blade Package
Maple/Walnut Blades



DCCF8552-WH-WH/WP
Standard Blade Package
White/Washed Pine Blades



DCCF8552-ORB-ORB
Standard Blade Package
All ORB Blades



LK9334-PC
Shown in WH



LK9330-PC
Shown in BN

Light Kit

Part	Wattage	Kelvin	Lumens	CRI
LK9330-20W-30K-PC	20w (2x 10W LED)	30K	1,600	80
LK9334-20W-30K-PC	20w (2x 10W LED)	30K	1,600	80

Applications

These fans deliver contemporary European styling along with comfort and excellent value. Unique design fans have an essence of class and destination.

Specification Features

ETL	Indoor Applications
Blade Sweep	52"
Blades	5 - Reversible - MDF
Lead Wire	54"
Motor Type	AC - 153 x 13mm motor
Voltage	120v
Blade Pitch	11°
Downrod Length	4.5"
Speeds	3 - Reversible Motor
Light Kit	Adaptable (Sold Separately)
Socket	2 x E26 10w LED Bulbs, 30K, 800lm (not included)
Control	Pull Chain

Performance & Energy Information

Fan Speed	CFM	Watts	CFM/Watt
High	5,232	57.4	91.15
Medium	3,496	33	105.94
Low	2,254	13.6	165.74

Additional Light Kit Options	pg. 31-35
Additional Fan Blade Options	pg. 37

Ordering Example:

DCCF552-BN-MAP/WAL-LK9330-20W-30K-PC

Prefix	Finish	Blades	Light Kit	Kelvin/CCT	Options
DCCF552	BN = Brushed Nickel ORB = Oil Rubbed Bronze WH = White	MAP/WAL = Maple/Walnut DCH/WAL = Dark Cherry/Walnut WH/WP = White/Washed Pine WH/WO = White/Washed Oak ORB = Oil Rubbed Bronze	LK9330-20W = 2x 10W E26 LK9334-20W = 2x 10W E26	30K = 3000° Kelvin	PC = Pull Chain



Ceiling Fans

52" 5-Blade Fan with Optional Light Kit



DCCF820-BN-BN-DCLK9334BN

Standard Blade Package
All Brushed Nickel Blades



DCCF820-ORB-ORB-DCLK9334ORB

Standard Blade Package
All Oil Rubbed Bronze Blades

Applications

These fans deliver contemporary European styling along with comfort and excellent value. Unique design fans have an essence of class and destination.

Specification Features

ETL	Indoor Applications
Blade Sweep	52"
Blades	5 - Reversible - MDF
Lead Wire	54"
Motor Type	AC - 153 x 13mm motor
Voltage	120v
Blade Pitch	12°
Downrod Length	4"
Speeds	3 - Reversible Motor
Light Kit	Adaptable (Sold Separately)
Socket	2 x E26 10w LED Bulbs, 30K, 800lm (not included)
Control	Pull Chain

Performance & Energy Information

Fan Speed	CFM	Watts	CFM/Watt
High	5,419	65.1	83.3
Medium	3,454	32.3	107
Low	2,306	1.8	195

Additional Light Kit Options	pg. 31-35
Additional Fan Blade Options	pg. 37

Light Kit

Part	Wattage	Kelvin	Lumens	CRI
LK9334-20W-30K-PC	20w (2x 10W LED)	30K	1,600	80

Ordering Example:

DCCF820-BN-BN-LK9334-20W-30K-PC

Prefix	Finish	Blades	Light Kit	Kelvin/CCT	Options
DCCF820	BN = Brushed Nickel ORB = Oil Rubbed Bronze	BN = Brushed Nickel ORB = Oil Rubbed Bronze	Blank = None LK9334-20W = 2x 10W E26	30K = 3000° Kelvin	PC = Pull Chain



Ceiling Fans

52" 5-Blade Builder Fan with Optional Light Kit



DCCF816-ORB-DCH/WAL-DCLK9330ORB

Standard Blade Package
Reversible Dark Cherry / Walnut Blades



Can be hung as
flush mount or
with downrod

DCCF816-BN-BN-DCLK9330BN

Standard Blade Package
All Brushed Nickel Blades

Applications

These fans deliver contemporary European styling along with comfort and excellent value. Unique design fans have an essence of class and destination.

Specification Features

ETL	Indoor Applications
Blade Sweep	52"
Blades	5 - Reversible - MDF
Lead Wire	54"
Motor Type	AC - 153 x 18mm motor
Voltage	120v
Blade Pitch	11°
Downrod Length	6"
Speeds	3 - Reversible Motor
Light Kit	Adaptable (Sold Separately)
Socket	2 x E26 10w LED Bulbs, 30K, 800lm (not included)
Control	Pull Chain

Performance & Energy Information

Fan Speed	CFM	Watts	CFM/Watt
High	5,232	57.4	91.15
Medium	3,496	33	105.94
Low	2,254	13.6	165.74

Additional Light Kit Options	pg. 31-35
Additional Fan Blade Options	pg. 37

Light Kit

Part	Wattage	Kelvin	Lumens	CRI
LK9330-20W-30K-PC	20w (2x 10W LED)	30K	1,600	80

Ordering Example:

DCCF816-BN-BN-LK9330-20W-30K-PC

Prefix	Finish	Blades	Light Kit	Kelvin/CCT	Options
--------	--------	--------	-----------	------------	---------

DCCF816 BN = Brushed Nickel BN = Brushed Nickel Blank = None 30K = 3000° Kelvin PC = Pull Chain
 ORB = Oil Rubbed Bronze DCH/WAL = Dark Cherry/Walnut LK9330-20W = 2x 10W E26
 ORB = Oil Rubbed Bronze



Ceiling Fans

52" 5-Blade Fan with Optional Light Kit



DCCF806-BN-DCH/MAH-LK9334BN

Standard Blade Package
Reversible Dark Cherry / Mahogany Blades



DCCF806-ORB-DCH/WAL-LK9334ORB

Standard Blade Package
Reversible Dark Cherry / Walnut Blades



DCCF806-WH-WH/WO-LK9334WH

Standard Blade Package
Reversible White / Washed Oak Blades

Applications

These fans deliver contemporary European styling along with comfort and excellent value. Unique design fans have an essence of class and destination.

Specification Features

ETL	Indoor Applications
Blade Sweep	52"
Blades	5 - Reversible - MDF
Lead Wire	54"
Motor Type	AC - 153 x 13mm motor
Voltage	120v
Blade Pitch	12°
Downrod Length	4"
Speeds	3 - Reversible Motor
Light Kit	Adaptable (Sold Separately)
Socket	2 x E26 10w LED Bulbs, 30K, 800lm (not included)
Control	Pull Chain

Performance & Energy Information

Fan Speed	CFM	Watts	CFM/Watt
High	5,419	65.1	83.3
Medium	3,454	32.3	107
Low	2,306	11.8	195

Additional Light Kit Options	pg. 31-35
Additional Fan Blade Options	pg. 37

Light Kit

Part	Wattage	Kelvin	Lumens	CRI
LK9334-20W-30K-PC	20w (2x 10W LED)	30K	1,600	80

Ordering Example:

DCCF806-WH-WO-LK9334-20W-30K-PC

Prefix	Finish	Blades	Light Kit	Kelvin/CCT	Options
DCCF806	BN = Brushed Nickel ORB = Oil Rubbed Bronze WH = White	DCH/WAL = Dark Cherry/Walnut WH/WO = White/Washed Oak DCH/MAH = Dark Cherry	Blank = None LK9334-20W = 2x 10W E26	30K = 3000° Kelvin	PC = Pull Chain



Outdoor Fans

54" 3-Blade Corridor Fan



Applications

These fans deliver contemporary European styling along with comfort and excellent value. Unique design fans have an essence of class and destination.

Specification Features

ETL	Damp Location rated. Indoor/Outdoor
Blade Sweep	54"
Blades	3 - Non Reversible - Metal
Lead Wire	54"
Motor Type	AC - 172 x 14mm motor
Voltage	120v
Blade Pitch	8°
Downrod Length	6"
Speeds	4 - Reversible Motor
Control	Wall Control



DCCF9858-BN-BN
Standard Blade Package
All Black Blades



DCWS-202

SWC
Fan & Light Wall Control

- 3 Speed Control
- On/Off Light Control
- White finish



Performance & Energy Information

Fan Speed	CFM	Watts	CFM/Watt
1	4,850	59	82
2	3,510	31	113
3	2,672	14	191
4	1,820	10.6	172

Ordering Example:

DCCF9858-BN-BN-SWC



Intertek

Prefix	Finish	Blades	Options
DCCF9858	BN = Brushed Nickel	BN = Brushed Nickel	SWC = Standard Wall Control

Bad Ass Fans

52", or 72" 6-Blade Industrial Fan with LED Light Kit



Bad Ass Fans® Provide a stylish and rugged option for any indoor or outdoor application.

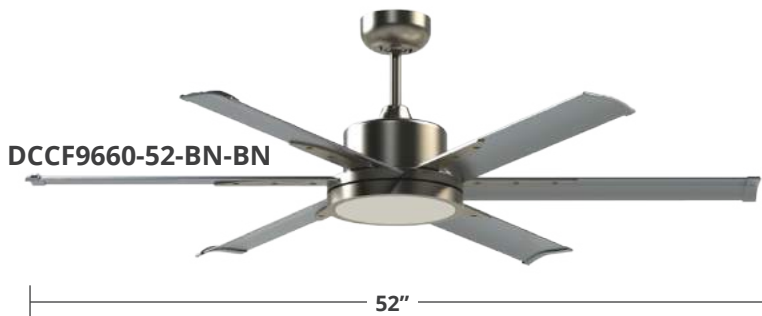
Several size and finish options are available to accentuate your space.

Applications

These fans deliver contemporary industrial styling along with comfort and excellent value. Modern looks accentuate the long lasting and reliable fixtures.

Specification Features

ETL	Damp location rated. Indoor/Outdoor Applications
Blade Sweep	9660 = 52", 9662 = 72"
Blades	6 - Non Reversible - Aluminum
Lead Wire	54"
Motor Type	52" - DC - 100 x 20mm motor 72" - DC - 155 x 16mm motor
Voltage	120v
Blade Pitch	17°
Downrod Length	6"
Speeds	5 - Reversible Motor
Light Kit	Integrated LED - Frosted Glass
Control	Remote Control



Performance & Energy Information

Fan Speed	CFM	Watts	CFM/Watt
1	7,260	35	207
2	6,053	22	275
3	4,886	12	407
4	3,742	7	534
5	2,540	5	508

Light Kit

Wattage	Kelvin	Lumens	CRI
15W	30K	920	80

Ordering Example:

DCCF9662-BN-BN-15W-30K-RC

Prefix	Finish	Blades	Light Kit	Kelvin/CCT	Options
DCCF9660	BN = Brushed Nickel	BN = Brushed Nickel	15W = 15 Watt Integrated LED	30K = 3000° Kelvin	RC = Remote Control
DCCF9662	ORB = Oil Rubbed Bronze WH = White BK = Black	ORB = Oil Rubbed Bronze WH = White BK = Black			

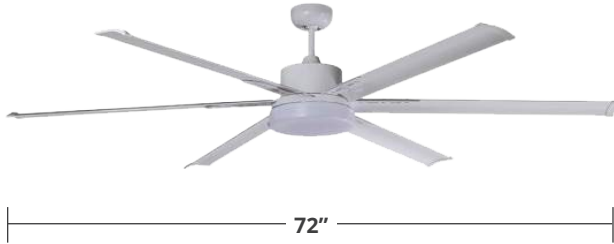


Bad Ass Fans



72" or 84" 6-Blade Industrial Fan with LED Light Kit

DCCF9650-72-WH-WH



DCCF9652-84-ORB-ORB



DCCF9652-84-BN-BN



Light Kit

Wattage	Kelvin	Lumens	CRI
15W	30K	920	80

Ordering Example:

DCCF9652-BN-BN-15W-30K-RC

Prefix	Finish	Blades	Light Kit	Kelvin/CCT	Options
DCCF9650	BN = Brushed Nickel	BN = Brushed Nickel	15W = 15 Watt integrated LED	30K - 3000° Kelvin	RC = Remote Control
DCCF9652	ORB = Oil Rubbed Bronze WH = White	ORB = Oil Rubbed Bronze WH = White			

Applications

These fans deliver contemporary industrial styling along with comfort and excellent value. Modern looks accentuate the long lasting and reliable fixtures.

Specification Features

ETL	Damp location rated. Indoor/Outdoor Applications
Blade Sweep	(DCCF9650) 72", (DCCF9652) 84"
Blades	6 - Non Reversible - Aluminum
Lead Wire	54"
Motor Type	DC - 155 x 16mm motor
Voltage	120v
Blade Pitch	17°
Downrod Length	6"
Speeds	5 - Reversible Motor
Light Kit	Integrated LED - Frosted Glass
Control	Remote Control

Performance & Energy Information

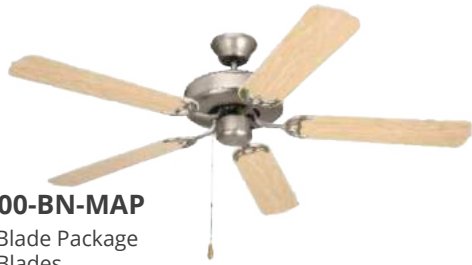
Fan Speed	CFM	Watts	CFM/Watt
1	7,114	35.1	203
2	6,120	22.8	268
3	5,042	16.1	313
4	4,021	10.4	387
5	2,985	5.5	543



Outdoor Fans



52" 5-Blade Builder Fan with Optional Light Kit



DCCF8600-BN-MAP

Standard Blade Package
All Maple Blades



DCCF8600-WH-WH

Standard Blade Package
All White Blades



DCCF8600-ORB-ORB

Standard Blade Package
All Oil Rubbed Bronze Blades



DCCF8600-BK-BK

Standard Blade Package
All Black Blades

Applications

These fans deliver contemporary European styling along with comfort and excellent value. Unique design fans have an essence of class and destination.

Specification Features

ETL	Outdoor Applications
Blade Sweep	52"
Blades	5 - Non-Reversible - ABS
Lead Wire	54"
Motor Type	AC - 153 x 13mm motor
Voltage	120v
Blade Pitch	12°
Downrod Length	4"
Speeds	3 - Reversible Motor
Light Kit	Adaptable (Sold Separately)
Socket	2 x E26 10w LED Bulbs, 30K, 800lm (not included)
Control	Pull Chain

Performance & Energy Information

Fan Speed	CFM	Watts	CFM/Watt
High	5,172	57.4	90
Medium	3,486	33.2	105
Low	2,257	13.3	169

Additional Light Kit Options	pg. 31-35
Additional Fan Blade Options	pg. 37

Light Kit

Part	Wattage	Kelvin	Lumens	CRI
LK9330-20W-30K-PC	20w (2x 10W LED)	30K	1,600	80
LK9330-20W-30K-PC	20w (2x 10W LED)	30K	1,600	80

Ordering Example:

DCCF8600-BN-MAP-LK9330-20W-30K-PC

Prefix	Finish	Blades	Light Kit	Kelvin/CCT	Options
DCCF8600	BN = Brushed Nickel ORB = Oil Rubbed Bronze WH = White BK = Black	MAP = Maple ORB = Oil Rubbed Bronze WH = White BK = Black	Blank = None LK9330-20W = 2x 10W E26 LK9334-20W = 2x 10W E26	30K = 3000° Kelvin	PC = Pull Chain



Fan Light Kits

Adaptable Integrated LED Light Kits



Applications

Add a decorative touch to ceiling fans with classic style light kits.

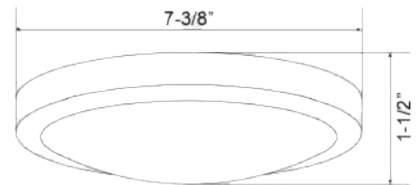
DCLK9800



Specification Features

ETL	Indoor Applications
Housing	Baked on Enamel or Plated Cold Rolled Steel
Lens	Acrylic
Lamping	Integrated LED
Mounting	Ceiling Fan. Includes all necessary hardware.
Finish Options	BK, BN, ORB, WH
Control	Wall Control or Pull Chain

DCLK9801
Ultra Slim



Light Kit

Part	Wattage	Kelvin	Lumens	CRI
DCLK9800	15W Integrated LED	30K	950	80
DCLK9801	15W Integrated LED	30K	1,200	80

Ordering Example:

DCLK9800-BN-15W-30K-PC



Intertek

Prefix	Finish	Wattage	Kelvin/CCT	Options
DCLK9800	BN = Brushed Nickel	15W = 15 Watt Integrated LED	30K - 3000° Kelvin	PC = Pull Chain
DCLK9801	ORB = Oil Rubbed Bronze WH = White BK = Black			

Fan Light Kits

Adaptable Light Kits



Applications

Add a decorative touch to ceiling fans with classic style light kits.

Specification Features

ETL	Indoor Applications
Housing	Baked on Enamel or Plated Cold Rolled Steel
Socket	E26 - Standard
Lamping	2x 10W LED A19
Mounting	Ceiling Fan. Includes all necessary hardware.
Finish Options	BK, BN, ORB, WH
Control	Pull Chain

DCLK9330



DCLK9334



DCLK9360



DCLK9345



Light Kit

Wattage	Kelvin	Lumens	CRI
20W	30K	1,600	80

Ordering Example:

DCLK9330-BN-AB-20W-30K-PC



Prefix	Finish	Glass	Wattage	Kelvin/CCT	Options
DCLK9330	BN = Brushed Nickel	AB = Alabaster	20W = 2x 10W E26	30K = 3000° Kelvin	PC = Pull Chain
DCLK9334	ORB = Oil Rubbed Bronze	FW = Frosted White			
DCLK9345	WH = White				
DCLK9360	BK = Black				

Fan Light Kits

Adaptable Light Kits



Applications

Add a decorative touch to ceiling fans with classic style light kits.

DCLK9220



Specification Features

ETL	Indoor Applications
Housing	Baked on Enamel or Plated Cold Rolled Steel
Socket	E26 - Standard
Lamping	1x or 2x 10w LED A19
Mounting	Ceiling Fan. Includes all necessary hardware.
Finish Options	BK, BN, ORB, WH
Control	Wall Control or Pull Chain

DCLK9550

Includes all Metal Finishes
(BN/ORB/WH)

Scavo Glass



Opal Glass



White Frost Glass



Light Kit

Part	Wattage	Kelvin	Lumens	CRI
DCLK9220	10W (1x 10W E26)	30K	800	80
DCLK9550	20W (2x 10W E26)	30K	1,600	80

Ordering Example:

DCLK9220-BN-WF-10W-30K-PC



Prefix	Finish	Glass	Light Kit	Kelvin/CCT	Options
DCLK9220	BN = Brushed Nickel	SC = Scavo	10W = 1x 10W E26	30K = 3000° Kelvin	PC = Pull Chain
DCLK9550	ORB = Oil Rubbed Bronze WH = White BK = Black	OP = Opal WF = White Frost	20W = 2x 10W E26		

Fan Light Kits

Adaptable Light Kits



Applications

Add a decorative touch to ceiling fans with classic style light kits.



DCLK9004
4x E26 Sockets



DCLK9003
3x E26 Sockets

Specification Features

ETL	Indoor Applications
Housing	Baked on Enamel or Plated Cold Rolled Steel
Socket	E26 Standard
Lamping	10w LED A19
Mounting	Ceiling Fan. Includes all necessary hardware.
Finish Options	BK, BN, ORB, WH
Control	Wall Control or Pull Chain



003
Clear Ribbed Glass



252
Alabaster Glass



250
White Opal Glass



270
Tuscan Scavo Glass

Light Kit

Part	Wattage	Kelvin	Lumens	CRI	Dimensions
DCLK9003	30w (3x 10W E26)	30K	2,400	80	8"W x 2"H
DCLK9004	40w (4x 10W E26)	30K	3,200	80	7.38"W x 1.5"H

Ordering Example:

DCLK9003-BN-003-30W-30K



Prefix	Finish	Glass	Wattage	Kelvin/CCT	Options
DCLK9003	BN = Brushed Nickel	003 = Clear Ribbed	30W = 3x 10W E26	30K - 3000° Kelvin	PC = Pull Chain
DCLK9004	ORB = Oil Rubbed Bronze WH = White BK = Black	250 = White Opal 252 = Alabaster 270 = Tuscan Scavo	40W = 4x 10W E26		

Outdoor Fan Light Kits



Adaptable Light Kits

Applications

Add a decorative touch to ceiling fans with classic style light kits.



DCLK9612
2x E26 Sockets

Specification Features

ETL	Outdoor Applications
Housing	Baked on Enamel or Plated Cold Rolled Steel
Socket	E26 Standard
Lamping	Integrated LED
Mounting	Ceiling Fan. Includes all necessary hardware.
Finish Options	BK, BN, ORB, WH
Control	Wall Control or Pull Chain



DCLK9614
2x E26 Sockets

Light Kit

Part	Wattage	Kelvin	Lumens	CRI
DCLK9612	20w (2x 10W E26)	30K	1,600	80
DCLK9614	20w (2x 10W E26)	30K	1,600	80

Ordering Example:

DCLK9612-BN-OP-20W-30K-PC



Prefix	Finish	Glass	Light Kit	Kelvin/CCT	Options
DCLK9612	BN = Brushed Nickel	SC = Scavo	20W = 2x 10W E26	30K = 3000° Kelvin	PC = Pull Chain
DCLK9614	ORB = Oil Rubbed Bronze WH = White	OP = Opal WF = White Frost			

Ceiling Fans

Fan and Light Wall Controls



Applications

All of our ceiling fans, with the exception of our industrial fans, are equipped with pull chain speed control and a forward/reverse switch, providing 3-4 speeds in either direction. For your convenience, we also offer a selection of wall mounted speed controls for use with our fans.



DCWS-200

- 4 Speed Control
- Dual Slide
- White Finish
- Dimmer
- 4.625"H x 2.75"W
- 120V/60Hz



DCWS-202

- 3 Speed Control
- On/Off Control
- White Finish



Fan Blade Options



FB-BK
Black



FB-BLO
Bleached Oak



FB-BN
Brushed Nickel



FB-CH
Cherry



FB-DCH
Dark Cherry



FB-LO
Light Oak



FB-MAH
Mahogany



FB-MAP
Maple



FB-RW
Rosewood



FB-OAK
Oak



FB-PO
Pickled Oak



FB-WAL
Walnut



FB-WO
Washed Oak



FB-WP
Washed Pine



FB-WH
White

Part numbers reflect single finishes. For reversible blade finishes, use two part numbers.

Ex: MAP/WO

Ceiling Fans

1/2" Double Threaded Downrods



Applications

Where extra height is needed, decorative downrods are the perfect accessory. Downrods are available in a variety of sizes and finishes.



DCDR12-BC



DCDR12-BN



DCDR12-CS



DCDR12-ORB



DCDR12-PB



DCDR12-WH

Downrod Coupler



DCRC-BC



DCRC-BN



DCRC-CS



DCRC-ORB



DCRC-PB



DCRC-WH

Ordering Example:

DCDR12-24-BN

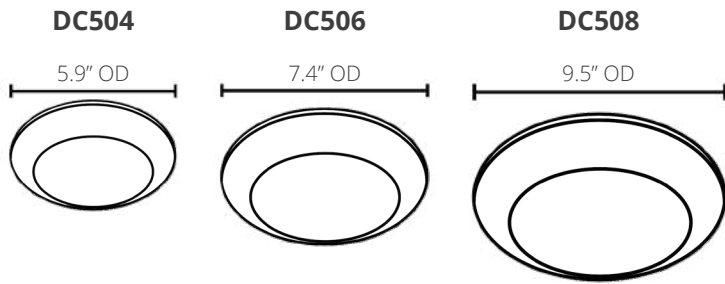


Intertek

Prefix	Length		Finish	
DCDR12 = 1/2" Double Threaded Downrod	12 = 12"	36 = 36"	BN = Brushed Nickel	CS = Cobblestone
DCRC = 1/2" Downrod Coupler	18 = 18"	48 = 48"	ORB = Oil Rubbed Bronze	PB = Polished Brass
	24 = 24"	60 = 60"	WH = White	
	30 = 30"	72 = 72"	BC = Brushed Chrome	

LED Disk Lights

4", 6", and 8" LED Disk Lights



Applications

LED flush mounts add class to any decor. Low profile design ideally suited for showers, lobbies, corridors, conference rooms, common spaces, kitchenettes, and interiors in commercial, hospitality, retail, and residential environments.

Specification Features

UL or ETL Listing	Wet Locations
Certifications	ETL
Housing	Stamped Steel
Lens/Diffuser	Opal Acrylic - Twist On/Off
Voltage	AC 110-120v / Driverless Model
Wattage	8w, 10w, 15w, 16w, 30w, 32w
Lumens	570, 800, 1050, 2200
CRI	80
Kelvin	30K, 40K
Operating Temp.	(-20° to -40° C) (25° C Nominal)
Surge Protection	1 kv
Warranty	5 year normal operation
Mounting	Ceiling, includes all necessary hardware. Mounts to most 4" x 4" J boxes. Suitable for installation within closets and/or storage spaces per NEC code 410.16.

Easy & cost effective solutions to replacing recessed can lights!

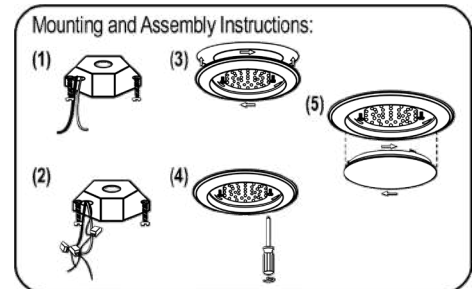
DC888 - Retrofit Kit

Retrofit Kit includes:

- LED Disk Light (1)
- Mounting Bracket (1)
- Springs Mounting Clip (2)
- Quick Connector (1)
- Mounting Screws (2)
- E26 Lamp Holder Adapter (1)
- Wire Nuts (3)
- Power Connector (1)
- Gasket (1)
- Instructions Sheet (1)



Whether you're installing as a retrofit or a surface mount luminaire, everything you need is included in the box.



Part	Available Finishes	Kelvin/CCT	Voltage	Dimensions	Lumens	CRI	Dimmable	Special Functions
DC504-8W	BN • ORB • WH	CCT Selectable (30K/40K)	AC 120V	5.9" OD x 1.2" H	570	90	Tri-arc	Surface, Wet, Retrofit
DC506-10W	BN • ORB • WH	CCT Selectable (30K/40K)	AC 120V	7.4" OD x 1.2" H	800	90	Tri-arc	Surface, Wet, Retrofit
DC506-15W	BN • ORB • WH	CCT Selectable (30K/40K)	AC 120V	7.4" OD x 1.2" H	1,050	90	Tri-arc	Surface, Wet, Retrofit
DC508-30W	BN • ORB • WH	CCT Selectable (30K/40K)	AC 120V	9.5" OD x 1.2" H	2,200	90	Tri-arc	Surface, Wet, Retrofit
DC506-16W	BN • ORB • WH	30K • 40K	AC 277V	7.4" OD x 1.2" H	1,000	90	No	Surface, 277V ONLY
DC508-32W	BN • ORB • WH	30K • 40K	AC 277V	9.5" OD x 1.2" H	1,900	90	No	Surface, 277V ONLY
DCEM506	BN • ORB • WH	30K • 40K	AC 120V	7.4" OD x 1.2" H	1,095	81	No	Emergency Battery Back-up
DCEM508	BN • ORB • WH	30K • 40K	AC 120V	9.5" OD x 1.2" H	2,200	81	No	Emergency Battery Back-up

DC504

Surface Mount Disk

Replaces 4" Recessed Can Light - Retrofit Kit Available



Applications

LED flush mounts add class to any decor. Low profile design ideally suited for showers, lobbies, corridors, conference rooms, common spaces, kitchenettes, and interiors in commercial, hospitality, retail, and residential environments.

Specification Features

UL or ETL Listing	Wet Locations
Certifications	Title 24, JA8 Certified DLC Certified Energy Star Qualified
Dimensions	1.2" Height x 5.9" Outside Diameter
Housing	Stamped Steel
Lens/Diffuser	Opal Acrylic - Twist On/Off
Voltage	AC 110-120v - Driverless
Wattage	8w
Lumens	570
CRI	80
Kelvin	CCT Selectable (30K, 40K)
Flicker	T24, JA8 - Flicker Free
Dimmable	Tri-arc, T24, JA8
Operating Temp.	(-20° to -40° C) (25° C Nominal)
Surge Protection	1 kv
Warranty	5 year normal operation
Mounting	Ceiling, includes all necessary hardware. Mounts to most 4" x 4" J boxes. Suitable for installation within closets and/or storage spaces per NEC code 410.16.

DC888 - Retrofit Kit

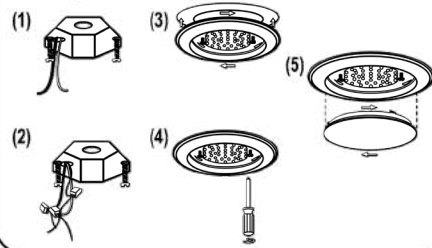
Retrofit Kit includes:

- LED Disk Light (1)
- Mounting Bracket (1)
- Springs Mounting Clip (2)
- Quick Connector (1)
- Mounting Screws (2)
- E26 Lamp Holder Adapter (1)
- Wire Nuts (3)
- Power Connector (1)
- Gasket (1)
- Instructions Sheet (1)



Whether you're installing as a retrofit or a surface mount luminaire, everything you need is included in the box.

Mounting and Assembly Instructions:



Ordering Example:

DC504-8W-CCT-BN-DC888



Prefix	Wattage	Kelvin/CCT	Finish	Options
DC504	8W = 8 Watts	CCT Selectable (30K, 40K)	BN = Brushed Nickel ORB = Oil Rubbed Bronze WH = White	DC888 = Recessed Can Retrofit Kit

DC506

Surface Mount Disk

Replaces 6" Recessed Can Light - Retrofit Kit Available



Applications

LED flush mounts add class to any decor. Low profile design ideally suited for showers, lobbies, corridors, conference rooms, common spaces, kitchenettes, and interiors in commercial, hospitality, retail, and residential environments.

Specification Features

UL or ETL Listing	Wet Locations
Certifications	Title 24, JA8 Certified DLC Certified Energy Star Qualified
Dimensions	1.2" Height x 7.4" Outside Diameter
Housing	Stamped Steel
Lens/Diffuser	Opal Acrylic - Twist On/Off
Voltage	AC 110-120v - Driverless
Wattage	10w, 15w
Lumens	800, 1050
CRI	80
Kelvin	CCT Selectable (30K, 40K)
Flicker	(T24, JA8) Flicker Free
Dimmable	(Tri-arc, T24, JA8)
Operating Temp.	(-20° to -40° C) (25° C Nominal)
Surge Protection	1 kv
Warranty	5 year normal operation
Mounting	Ceiling, includes all necessary hardware. Mounts to most 4" x 4" J boxes. Suitable for installation within closets and/or storage spaces per NEC code 410.16.
EM Back-up	See DCEM Disk Series (pg. 58)

DC888 - Retrofit Kit

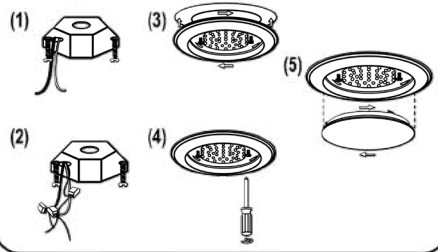
Retrofit Kit includes:

- LED Disk Light (1)
- Mounting Bracket (1)
- Springs Mounting Clip (2)
- Quick Connector (1)
- Mounting Screws (2)
- E26 Lamp Holder Adapter (1)
- Wire Nuts (3)
- Power Connector (1)
- Gasket (1)
- Instructions Sheet (1)



Whether you're installing as a retrofit or a surface mount luminaire, everything you need is included in the box.

Mounting and Assembly Instructions:



Ordering Example:

DC506-10W-CCT-BN-DC888



Prefix	Wattage	Kelvin/CCT	Finish	Options
DC506	10W = 10 Watts 15W = 15 Watts	CCT = Selectable (30K, 40K)	BN = Brushed Nickel ORB = Oil Rubbed Bronze WH = White	DC888 = Recessed Can Retrofit Kit

DCEM506

6" Disk w/ Emergency Back-Up

Replaces 6" Recessed Can Light - Retrofit Kit Available



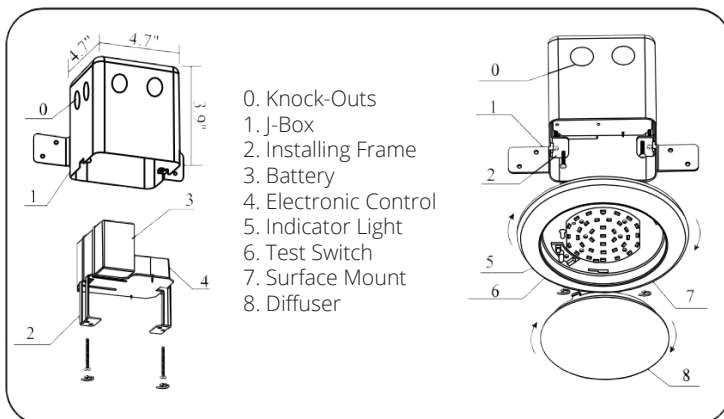
Applications

LED flush mounts add class to any decor. Low profile design ideally suited for showers, lobbies, corridors, conference rooms, common spaces, kitchenettes, and interiors in commercial, hospitality, retail, and residential environments.

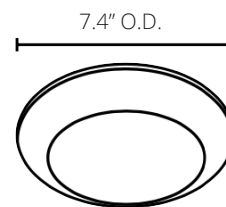


Specification Features

UL or ETL Listing	Wet Locations
Certifications	Title 24, JA8 Certified DLC Certified
Dimensions	1.2" Height x 7.4" Outside Diameter
Housing	Stamped Steel
Lens/Diffuser	UV Rated Polycarbonate
Voltage	AC 110-120v - Driverless
Wattage	15w (EM: 6w)
Lumens	1,095lm (EM: 400lm)
CRI	81
Kelvin	30K, 40K
Emergency Mode	Up to 90 Minutes
Flicker	(T24, JA8) Flicker Free
Dimmable	Tri-arc, T24, JA8
Operating Temp.	(-20° to -40° C) (25° C Nominal)
Surge Protection	1 kv
Warranty	5 year normal operation
Mounting	Requires included battery rough-in housing (DCEM508-BATT).



DCEM506-BATT	Shipped at Rough-In
DCEM506-TRIM	Shipped at Trim Out



**Trim does not fit in all J-Boxes
Will not fit in pancake J-Boxes.**

Ordering Example:

DCEM506-15W-30K-BN

Prefix	Wattage	Kelvin/CCT	Finish	Options
DCEM506	15W = 15 Watts	30K = 3000°K 40K = 4000°K	BN = Brushed Nickel ORB = Oil Rubbed Bronze WH = White	



DC508

Surface Mount Disk

Replaces 8" Recessed Can Light - Retrofit Kit Available



Applications

LED flush mounts add class to any decor. Low profile design ideally suited for showers, lobbies, corridors, conference rooms, common spaces, kitchenettes, and interiors in commercial, hospitality, retail, and residential environments.

Specification Features

UL or ETL Listing	Wet Locations
Certifications	Title 24, JA8 Certified DLC Certified Energy Star - Qualified
Dimensions	1.2" Height x 9.5" Outside Diameter
Housing	Stamped Steel
Lens/Diffuser	Opal Acrylic - Twist On/Off
Voltage	AC 110-120v - Driverless
Wattage	30w
Lumens	2200
CRI	80
Kelvin	CCT Selectable (30K, 40K)
Flicker	(T24, JA8) Flicker Free
Dimmable	Tri-arc, T24, JA8
Operating Temp.	(-20° to -40° C) (25° C Nominal)
Surge Protection	1 kv
Warranty	5 year normal operation
Mounting	Ceiling, includes all necessary hardware. Mounts to most 4" x 4" J boxes. Suitable for installation within closets and/or storage spaces per NEC code 410.16.
EM Back-up	See DCEM Disk Series (pg. 59)

DC888 - Retrofit Kit

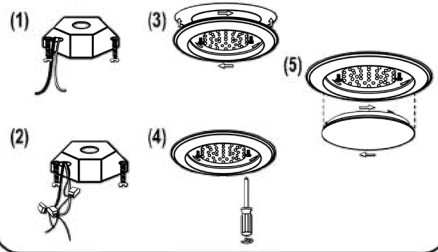
Retrofit Kit includes:

- LED Disk Light (1)
- Mounting Bracket (1)
- Springs Mounting Clip (2)
- Quick Connector (1)
- Mounting Screws (2)
- E26 Lamp Holder Adapter (1)
- Wire Nuts (3)
- Power Connector (1)
- Gasket (1)
- Instructions Sheet (1)



Whether you're installing as a retrofit or a surface mount luminaire, everything you need is included in the box.

Mounting and Assembly Instructions:



Ordering Example:

DC508-30W-CCT-BN-DC888



Prefix	Wattage	Kelvin/CCT	Finish	Options
DC508	30W = 30 Watts	CCT = Selectable (30K, 40K)	BN = Brushed Nickel ORB = Oil Rubbed Bronze WH = White	DC888 = Recessed Can Retrofit Kit

DCEM508

8" Disk w/ Emergency Back-Up

Replaces 8" Recessed Can Light - Retrofit Kit Available

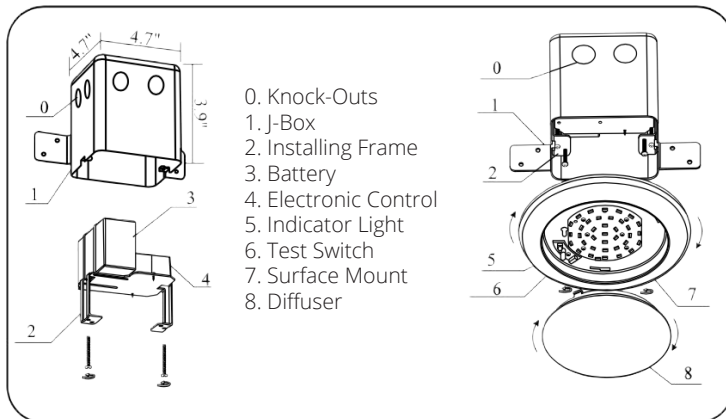


Applications

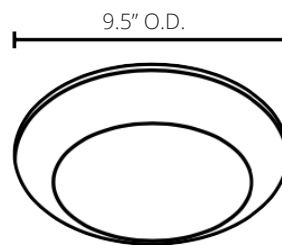
LED flush mounts add class to any decor. Low profile design ideally suited for showers, lobbies, corridors, conference rooms, common spaces, kitchenettes, and interiors in commercial, hospitality, retail, and residential environments.

Specification Features

UL or ETL Listing	Wet Locations
Certifications	Title 24, JA8 Certified DLC Certified
Dimensions	1.2" Height x 9.5" Outside Diameter
Housing	Stamped Steel
Lens/Diffuser	UV Rated Polycarbonate
Voltage	AC 110-120v - Driverless
Wattage	30w (EM: 12w)
Lumens	2,200lm (EM: 880lm)
CRI	81
Kelvin	30K, 40K
Emergency Mode	Up to 90 Minutes
Flicker	(T24, JA8) Flicker Free
Dimmable	Tri-arc, T24, JA8
Operating Temp.	(-20° to -40° C) (25° C Nominal)
Surge Protection	1 kv
Warranty	5 year normal operation
Mounting	Requires included battery rough-in housing (DCEM508-BATT).



DCEM508-BATT	Shipped at Rough-In
DCEM508-TRIM	Shipped at Trim Out



Trim does not fit in all J-Boxes
Will not fit in pancake J-Boxes.

Ordering Example:

DCEM508-30W-30K-BN

Prefix	Wattage	Kelvin/CCT	Finish	Options
DCEM508	30W = 30 Watts	30K = 3000°K 40K = 4000°K	BN = Brushed Nickel ORB = Oil Rubbed Bronze WH = White	



DC506-277V/DC508-277V



277V Only Surface Mount Disk

Replaces 6" & 8" Recessed Can Lights - 277V ONLY - Retrofit Kit Available



Applications

LED flush mounts add class to any decor. Low profile design ideally suited for showers, lobbies, corridors, conference rooms, common spaces, kitchenettes, and interiors in commercial, hospitality, retail, and residential environments.

Specification Features

UL or ETL Listing	Wet Locations
Certifications	ETL
Dimensions	DC506-277V = 1.2" Height x 7.4" O.D. DC508-277V = 1.2" Height x 9.5" O.D.
Housing	Stamped Steel
Lens/Diffuser	Opal Acrylic - Twist On/Off
Voltage	AC 277v - Driverless
Wattage	DC506-277V = 16W DC508-277V = 32W
Lumens	DC506-277V = 1,000 DC508-277V = 1,900
CRI	80
Kelvin	30K
Dimmable	Non-Dimmable
Operating Temp.	(-20° to -40° C) (25° C Nominal)
Surge Protection	1 kv
Warranty	5 year normal operation
Mounting	Ceiling, includes all necessary hardware. Mounts to most 4" x 4" J boxes. Suitable for installation within closets and/or storage spaces per NEC code 410.16.

DC888 - Retrofit Kit

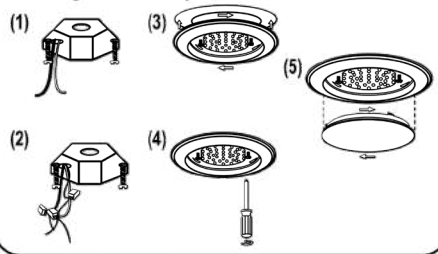
Retrofit Kit includes:

- LED Disk Light (1)
- Mounting Bracket (1)
- Springs Mounting Clip (2)
- Quick Connector (1)
- Mounting Screws (2)
- E26 Lamp Holder Adapter (1)
- Wire Nuts (3)
- Power Connector (1)
- Gasket (1)
- Instructions Sheet (1)



Whether you're installing as a retrofit or a surface mount luminaire, everything you need is included in the box.

Mounting and Assembly Instructions:



Ordering Example:

DC508-277V-32W-30K-BN-DC888

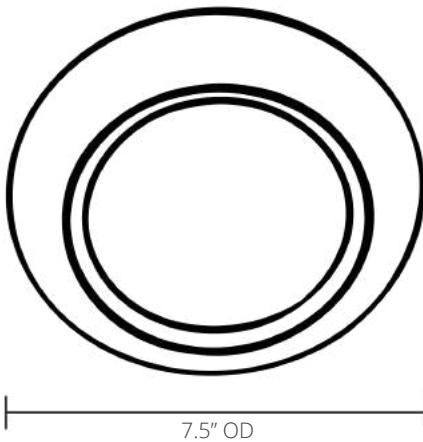


Prefix	Wattage	Kelvin/CCT	Finish	Options
DC506-277V	16W = 16 Watts	30K = 3000°K	BN = Brushed Nickel	DC888 = Recessed Can Retrofit Kit
DC508-277V	32W = 32 Watts	40K = 4000°K	ORB = Oil Rubbed Bronze	
			WH = White	

DC890

6" LED Pancake Disk Light

Replaces 6" Recessed Can Light - Retrofit Kit Available

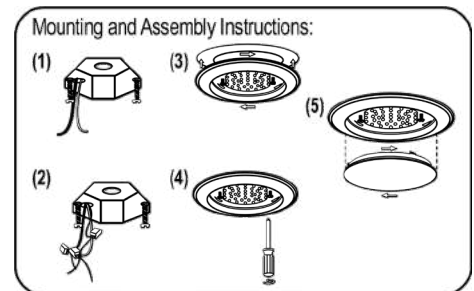


Applications

LED flush mounts add class to any decor. Low profile design ideally suited for showers, lobbies, corridors, conference rooms, common spaces, kitchenettes, and interiors in commercial, hospitality, retail, and residential environments.

Specification Features

UL or ETL Listing	Wet Locations
Dimensions	1" Height x 7.5" Outside Diameter
Housing	Stamped Steel
Lens/Diffuser	Opal Acrylic - Screw in
Voltage	120V
Wattage	15W
Lumens	800lm
CRI	90
Kelvin	30K, 40K
Dimmable	Tri-arc
Warranty	5 year normal operation
Mounting	Ceiling, includes all necessary hardware. Mounts to most 4" x 4" J boxes.



DC888 - Retrofit Kit

Retrofit Kit includes:

- LED Disk Light (1)
- Mounting Bracket (1)
- Springs Mounting Clip (2)
- Quick Connector (1)
- Mounting Screws (2)
- E26 Lamp Holder Adapter (1)
- Wire Nuts (3)
- Power Connector (1)
- Gasket (1)
- Instructions Sheet (1)



Whether you're installing as a retrofit or a surface mount luminaire, everything you need is included in the box.



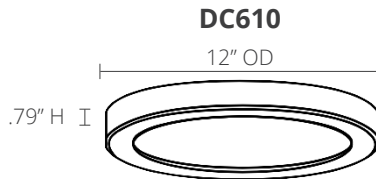
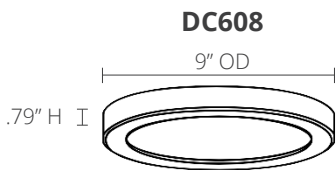
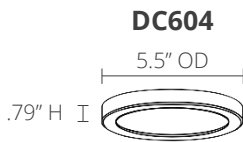
Ordering Example:

DC890-15W-30K-WH

Prefix	Wattage	Kelvin/CCT	Finish	Options
DC890	15W = 15 Watts	30K = 3000°K 40K = 4000°K	BN = Brushed Nickel ORB = Oil Rubbed Bronze WH = White	DC888 = Recessed Can Retrofit Kit

Ultra-Thin Round

LED Disk Lights

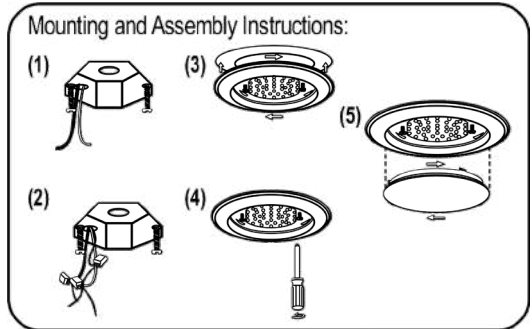


Applications

LED flush mounts add class to any decor. Low profile design ideally suited for showers, lobbies, corridors, conference rooms, common spaces, kitchenettes, and interiors in commercial, hospitality, retail, and residential environments.

Specification Features

UL or ETL Listing	Wet Locations
Certifications	ETL
Housing	Stamped Steel
Lens/Diffuser	Flat Glass Lens
Voltage	AC 110-120v / Driverless Model
Wattage	10w, 15w, 18w, 25w
Lumens	570, 800, 1050, 2200
CRI	90
Kelvin	30K, 40K
Operating Temp.	(-20° to -40° C) (25° C Nominal)
Surge Protection	1 kv
Warranty	5 year normal operation
Mounting	Ceiling, includes all necessary hardware. Mounts to most 4" x 4" J boxes. Suitable for installation within closets and/or storage spaces per NEC code 410.16.
Dimmer	Tri-arc



Part	Available Finishes	Voltage	Wattage	Kelvin/CCT	Dimensions	Lumens	CRI	Dimmable	Special Functions
DC604	BN • ORB • WH	AC 120V	10W	30K • 40K	5.5" OD x .79" H	600	90	Tri-arc	Surface, Wet
DC606	BN • ORB • WH	AC 120V	15W	30K • 40K	7" OD x .79" H	1,050	90	Tri-arc	Surface, Wet
DC608-15W	BN • ORB • WH	AC 120V	15W	30K • 40K	9" OD x .79" H	1,050	90	Tri-arc	Surface, Wet
DC608-18W	BN • ORB • WH	AC 120V	18W	30K • 40K	9" OD x .79" H	1,600	90	Tri-arc	Surface, Wet
DC610	BN • ORB • WH	AC 120V	25W	30K • 40K	12" OD x .79" H	2,200	90	Tri-arc	Surface, Wet

DC604

4" Ultra Thin Round Surface Mount Disk

Replaces 4" Recessed Can Light

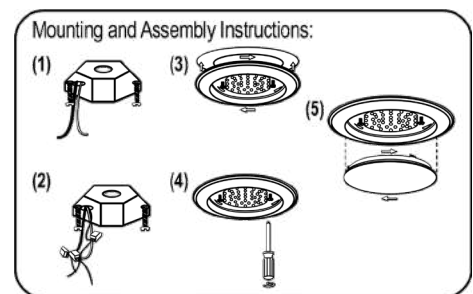


Applications

LED flush mounts add class to any decor. Low profile design ideally suited for showers, lobbies, corridors, conference rooms, common spaces, kitchenettes, and interiors in commercial, hospitality, retail, and residential environments.

Specification Features

UL or ETL Listing	Wet Locations
Certifications	Title 24, JA8 Certified DLC Certified Energy Star Qualified
Dimensions	.79" Height x 5.5" Outside Diameter
Housing	Stamped Steel
Lens/Diffuser	Flat Glass Lens
Voltage	AC 110-120v - Driverless
Wattage	10w
Lumens	600
CRI	90
Kelvin	30K, 40K
Flicker	(T24, JA8) Flicker Free
Dimmable	Tri-arc
Operating Temp.	(-20° to -40° C) (25° C Nominal)
Surge Protection	1 kv
Warranty	5 year normal operation
Mounting	Ceiling, includes all necessary hardware. Mounts to most 4" x 4" J boxes. Suitable for installation within closets and/or storage spaces per NEC code 410.16.



Ordering Example:

DC604-10W-30K-BN



Prefix	Wattage	Kelvin/CCT	Finish	Options
DC604	10W = 10 Watts	30K = 3000°K 40K = 4000°K	BN = Brushed Nickel ORB = Oil Rubbed Bronze WH = White	

DC606

6" Ultra Thin Round Surface Mount Disk

Replaces 6" Recessed Can Light

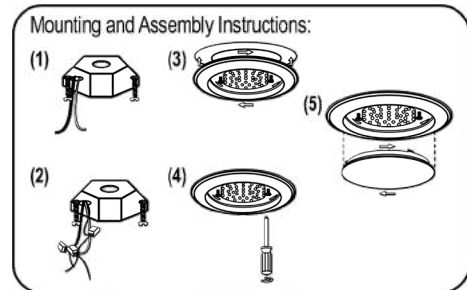


Applications

LED flush mounts add class to any decor. Low profile design ideally suited for showers, lobbies, corridors, conference rooms, common spaces, kitchenettes, and interiors in commercial, hospitality, retail, and residential environments.

Specification Features

UL or ETL Listing	Wet Locations
Certifications	Title 24, JA8 Certified DLC Certified Energy Star Qualified
Dimensions	.79" Height x 7" Outside Diameter
Housing	Stamped Steel
Lens/Diffuser	Flat Glass Lens
Voltage	AC 110-120v - Driverless
Wattage	15w
Lumens	1,050
CRI	90
Kelvin	30K, 40K
Flicker	(T24, JA8) Flicker Free
Dimmable	Tri-arc
Operating Temp.	(-20° to -40° C) (25° C Nominal)
Surge Protection	1 kv
Warranty	5 year normal operation
Mounting	Ceiling, includes all necessary hardware. Mounts to most 4" x 4" J boxes. Suitable for installation within closets and/or storage spaces per NEC code 410.16.



Ordering Example:

DC606-15W-30K-BN



Prefix	Wattage	Kelvin/CCT	Finish	Options
DC606	15W = 15 Watts	30K = 3000°K 40K = 4000°K	BN = Brushed Nickel ORB = Oil Rubbed Bronze WH = White	

DC608

8" Ultra Thin Round Surface Mount Disk

Replaces 8" Recessed Can Light

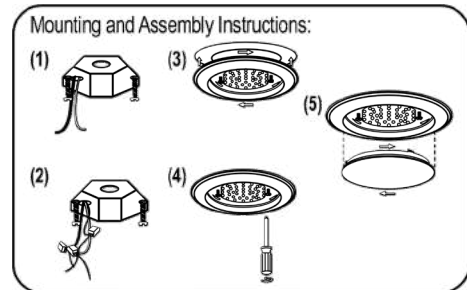


Applications

LED flush mounts add class to any decor. Low profile design ideally suited for showers, lobbies, corridors, conference rooms, common spaces, kitchenettes, and interiors in commercial, hospitality, retail, and residential environments.

Specification Features

UL or ETL Listing	Wet Locations
Certifications	Title 24, JA8 Certified DLC Certified Energy Star Qualified
Dimensions	.79" Height x 9" Outside Diameter
Housing	Stamped Steel
Lens/Diffuser	Flat Glass Lens
Voltage	AC 110-120v - Driverless
Wattage	15w, 18w
Lumens	1,050, 1,600
CRI	90
Kelvin	30K, 40K
Flicker	(T24, JA8) Flicker Free
Dimmable	Tri-arc
Operating Temp.	(-20° to -40° C) (25° C Nominal)
Surge Protection	1 kv
Warranty	5 year normal operation
Mounting	Ceiling, includes all necessary hardware. Mounts to most 4" x 4" J boxes. Suitable for installation within closets and/or storage spaces per NEC code 410.16.



Ordering Example:

DC608-15W-30K-BN

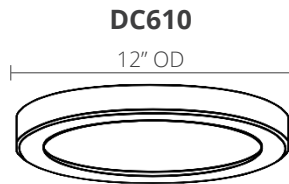


Prefix	Wattage	Kelvin/CCT	Finish	Options
DC608	15W = 15 Watts 18W = 18 Watts	30K = 3000°K 40K = 4000°K	BN = Brushed Nickel ORB = Oil Rubbed Bronze WH = White	

DC610

12" Ultra Thin Round Surface Mount Disk

Replaces 12" Recessed Can Light

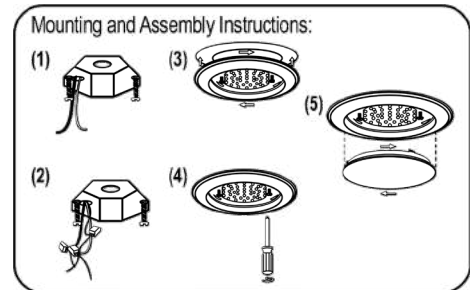


Applications

LED flush mounts add class to any decor. Low profile design ideally suited for showers, lobbies, corridors, conference rooms, common spaces, kitchenettes, and interiors in commercial, hospitality, retail, and residential environments.

Specification Features

UL or ETL Listing	Wet Locations
Certifications	Title 24, JA8 Certified DLC Certified Energy Star Qualified
Dimensions	.79" Height x 12" Outside Diameter
Housing	Stamped Steel
Lens/Diffuser	Flat Glass Lens
Voltage	AC 110-120v - Driverless
Wattage	25w
Lumens	2,200
CRI	90
Kelvin	30K, 40K
Flicker	(T24, JA8) Flicker Free
Dimmable	Tri-arc
Operating Temp.	(-20° to -40° C) (25° C Nominal)
Surge Protection	1 kv
Warranty	5 year normal operation
Mounting	Ceiling, includes all necessary hardware. Mounts to most 4" x 4" J boxes. Suitable for installation within closets and/or storage spaces per NEC code 410.16.



Ordering Example:

DC610-25W-30K-BN



Prefix	Wattage	Kelvin/CCT	Finish	Options
DC610	25W = 25 Watts	30K = 3000° K 40K = 4000° K	BN = Brushed Nickel ORB = Oil Rubbed Bronze WH = White	

Low Profile Round

LED Disk Lights



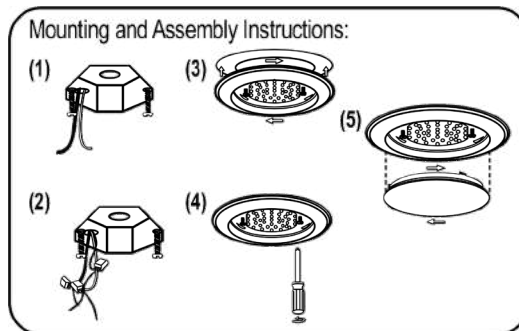
Applications

LED flush mounts add class to any decor. Low profile design ideally suited for showers, lobbies, corridors, conference rooms, common spaces, kitchenettes, and interiors in commercial, hospitality, retail, and residential environments.



Specification Features

UL or ETL Listing	Wet Locations
Certifications	ETL
Housing	Stamped Steel
Lens/Diffuser	Flat Glass Lens
Voltage	AC 110-120v / Driverless Model
Wattage	15w, 20w, 25w
Lumens	1,050, 1,400, 1,750
CRI	80
Kelvin	30K, 40K
Operating Temp.	(-20° to -40°C) (25°C Nominal)
Surge Protection	1 kv
Warranty	5 year normal operation
Mounting	Ceiling, includes all necessary hardware. Mounts to most 4" x 4" J boxes. Suitable for installation within closets and/or storage spaces per NEC code 410.16.
Dimmer	Tri-arc



Part	Available Finishes	Voltage	Wattage	Kelvin/CCT	Dimensions	Lumens	CRI	Dimmable	Special Functions
DC626	BN • ORB • WH	AC 120V	15W	30K • 40K	7.2" OD x 1.2" H	1,050	90	Tri-arc	Surface, Wet
DC628	BN • ORB • WH	AC 120V	20W	30K • 40K	8.5" OD x 1.2" H	1,400	90	Tri-arc	Surface, Wet
DC630	BN • ORB • WH	AC 120V	25W	30K • 40K	11.5" OD x 1.2" H	1,750	90	Tri-arc	Surface, Wet

DC626

6" Low Profile Round Surface Mount Disk

Replaces 6" Recessed Can Light

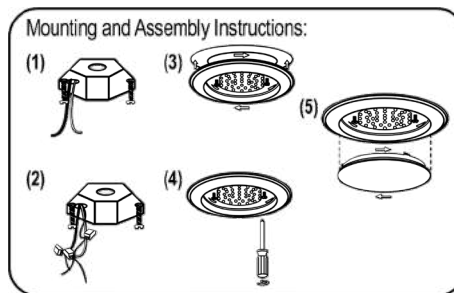


Applications

LED flush mounts add class to any decor. Low profile design ideally suited for showers, lobbies, corridors, conference rooms, common spaces, kitchenettes, and interiors in commercial, hospitality, retail, and residential environments.

Specification Features

UL or ETL Listing	Wet Locations
Certifications	Title 24, JA8 Certified DLC Certified Energy Star Qualified
Dimensions	1.2" Height x 7.2" Outside Diameter
Housing	Stamped Steel
Lens/Diffuser	Flat Glass Lens
Voltage	AC 110-120v - Driverless
Wattage	15w
Lumens	1,050
CRI	80
Kelvin	30K, 40K
Flicker	(T24, JA8) Flicker Free
Dimmable	Tri-arc
Operating Temp.	(-20° to -40° C) (25° C Nominal)
Surge Protection	1 kv
Warranty	5 year normal operation
Mounting	Ceiling, includes all necessary hardware. Mounts to most 4" x 4" J boxes. Suitable for installation within closets and/or storage spaces per NEC code 410.16.
EM Back-Up	See page 55



Ordering Example:

DC626-15W-30K-BN

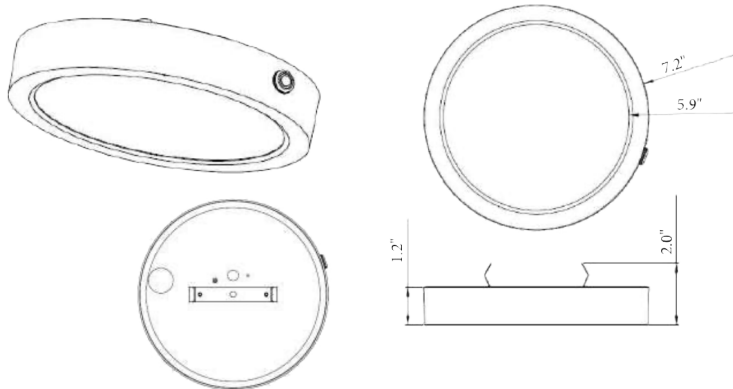
Prefix	Wattage	Kelvin/CCT	Finish	Options
DC626	15W = 15 Watts	30K = 3000° K 40K = 4000° K	BN = Brushed Nickel ORB = Oil Rubbed Bronze WH = White	



DCEM626

6" Disk w/ Emergency Back-Up

Replaces 6" Recessed Can Light - Retrofit Kit Available



Applications

LED flush mounts add class to any decor. Low profile design ideally suited for showers, lobbies, corridors, conference rooms, common spaces, kitchenettes, and interiors in commercial, hospitality, retail, and residential environments.

Specification Features

UL or ETL Listing	Wet Locations
Certifications	Title 24, JA8 Certified DLC Certified
Dimensions	1.2" Height x 7.2" Outside Diameter
Housing	Stamped Steel
Lens/Diffuser	UV Rated Polycarbonate
Voltage	AC 110-120v - Driverless
Wattage	15w (EM: 6w)
Lumens	1,050lm (EM: 400lm)
CRI	80
Kelvin	30K, 40K
Emergency Mode	Up to 90 Minutes
Flicker	(T24, JA8) Flicker Free
Dimmable	No
Operating Temp.	(-20° to -40° C) (25° C Nominal)
Surge Protection	1 kv
Warranty	5 year normal operation
Mounting	Ceiling, includes all necessary hardware. Mounts to most 4" x 4" J boxes. Suitable for installation within closets and/or storage spaces per NEC code 410.16.

DC888 - Retrofit Kit

Retrofit Kit includes:

- LED Disk Light (1)
- Mounting Bracket (1)
- Springs Mounting Clip (2)
- Quick Connector (1)
- Mounting Screws (2)
- E26 Lamp Holder Adapter (1)
- Wire Nuts (3)
- Power Connector (1)
- Gasket (1)
- Instructions Sheet (1)



Whether you're installing as a retrofit or a surface mount luminaire, everything you need is included in the box.

Ordering Example:

DCEM626-15W-30K-WH



Prefix	Wattage	Kelvin/CCT	Finish	Options
DCEM626	15W = 15 Watts	30K = 3000° K 40K = 4000° K	BN = Brushed Nickel ORB = Oil Rubbed Bronze WH = White	DC888 = Retrofit Kit

DC628

8" Low Profile Round Surface Mount Disk

Replaces 8" Recessed Can Light

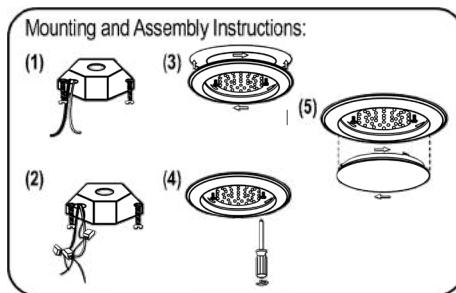
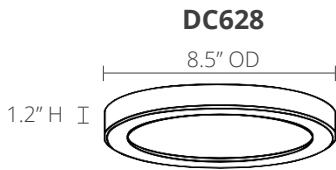


Applications

LED flush mounts add class to any decor. Low profile design ideally suited for showers, lobbies, corridors, conference rooms, common spaces, kitchenettes, and interiors in commercial, hospitality, retail, and residential environments.

Specification Features

UL or ETL Listing	Wet Locations
Certifications	Title 24, JA8 Certified DLC Certified Energy Star Qualified
Dimensions	1.2" Height x 8.5" Outside Diameter
Housing	Stamped Steel
Lens/Diffuser	Flat Glass Lens
Voltage	AC 110-120v - Driverless
Wattage	20w
Lumens	1,400
CRI	80
Kelvin	30K, 40K
Flicker	(T24, JA8) Flicker Free
Dimmable	Tri-arc
Operating Temp.	(-20° to -40° C) (25° C Nominal)
Surge Protection	1 kv
Warranty	5 year normal operation
Mounting	Ceiling, includes all necessary hardware. Mounts to most 4" x 4" J boxes. Suitable for installation within closets and/or storage spaces per NEC code 410.16.
EM Back-Up	See page 57



Ordering Example:

DC628-15W-30K-BN

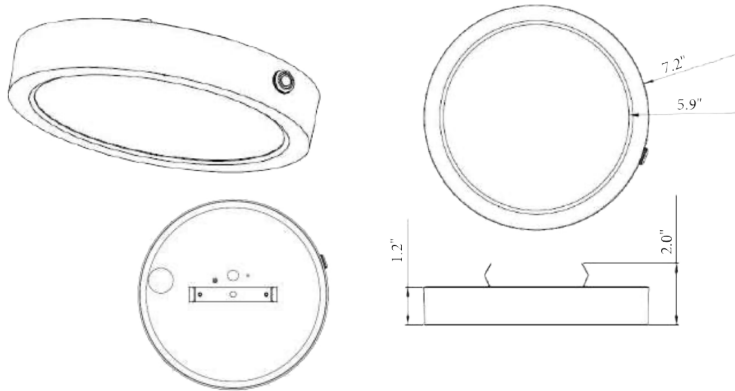


Prefix	Wattage	Kelvin/CCT	Finish	Options
DC628	20W = 20 Watts	30K = 3000°K 40K = 4000°K	BN = Brushed Nickel ORB = Oil Rubbed Bronze WH = White	

DCEM628

8" Disk w/ Emergency Back-Up

Replaces 8" Recessed Can Light - Retrofit Kit Available



Applications

LED flush mounts add class to any decor. Low profile design ideally suited for showers, lobbies, corridors, conference rooms, common spaces, kitchenettes, and interiors in commercial, hospitality, retail, and residential environments.

Specification Features

UL or ETL Listing	Wet Locations
Certifications	Title 24, JA8 Certified DLC Certified
Dimensions	1.2" Height x 8.5" Outside Diameter
Housing	Stamped Steel
Lens/Diffuser	UV Rated Polycarbonate
Voltage	AC 110-120v - Driverless
Wattage	20w (EM: 8w)
Lumens	1,400lm (EM: 560lm)
CRI	80
Kelvin	30K, 40K
Emergency Mode	Up to 90 Minutes
Flicker	(T24, JA8) Flicker Free
Dimmable	No
Operating Temp.	(-20° to -40° C) (25° C Nominal)
Surge Protection	1 kv
Warranty	5 year normal operation
Mounting	Ceiling, includes all necessary hardware. Mounts to most 4" x 4" J boxes. Suitable for installation within closets and/or storage spaces per NEC code 410.16.

DC888 - Retrofit Kit

Retrofit Kit includes:

- LED Disk Light (1)
- Mounting Bracket (1)
- Springs Mounting Clip (2)
- Quick Connector (1)
- Mounting Screws (2)
- E26 Lamp Holder Adapter (1)
- Wire Nuts (3)
- Power Connector (1)
- Gasket (1)
- Instructions Sheet (1)



Whether you're installing as a retrofit or a surface mount luminaire, everything you need is included in the box.

Ordering Example:

DCEM628-20W-30K-WH



Prefix	Wattage	Kelvin/CCT	Finish	Options
DCEM628	20W = 20 Watts	30K = 3000° K 40K = 4000° K	BN = Brushed Nickel ORB = Oil Rubbed Bronze WH = White	DC888 = Retrofit Kit

DC630

10" Low Profile Round Surface Mount Disk

Replaces 10" Recessed Can Light

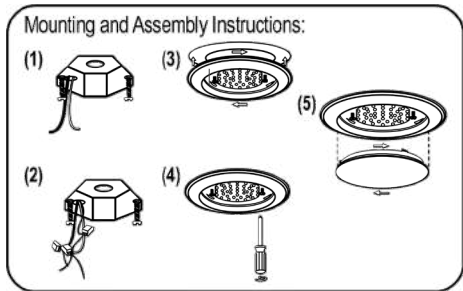


Applications

LED flush mounts add class to any decor. Low profile design ideally suited for showers, lobbies, corridors, conference rooms, common spaces, kitchenettes, and interiors in commercial, hospitality, retail, and residential environments.

Specification Features

UL or ETL Listing	Wet Locations
Certifications	Title 24, JA8 Certified DLC Certified Energy Star Qualified
Dimensions	1.2" Height x 12" Outside Diameter
Housing	Stamped Steel
Lens/Diffuser	Flat Glass Lens
Voltage	AC 110-120v - Driverless
Wattage	25w
Lumens	1,750
CRI	80
Kelvin	30K, 40K
Flicker	(T24, JA8) Flicker Free
Dimmable	Tri-arc
Operating Temp.	(-20° to -40° C) (25° C Nominal)
Surge Protection	1 kv
Warranty	5 year normal operation
Mounting	Ceiling, includes all necessary hardware. Mounts to most 4" x 4" J boxes. Suitable for installation within closets and/or storage spaces per NEC code 410.16.



Ordering Example:

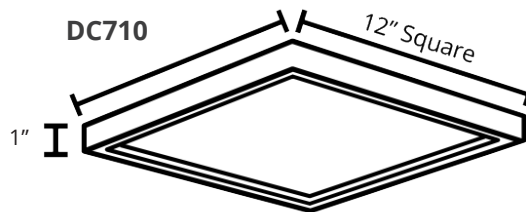
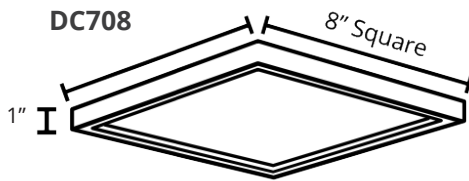
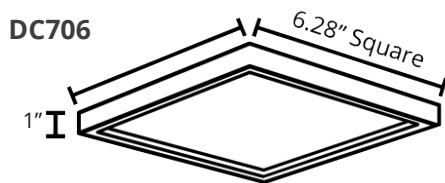
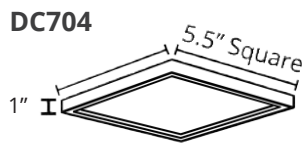
DC630-25W-30K-BN



Prefix	Wattage	Kelvin/CCT	Finish	Options
DC630	25W = 25 Watts	30K = 3000° K 40K = 4000° K	BN = Brushed Nickel ORB = Oil Rubbed Bronze WH = White	

Ultra-Thin Square

LED Square Disk Lights



Applications

LED flush mounts add class to any decor. Low profile design ideally suited for showers, lobbies, corridors, conference rooms, common spaces, kitchenettes, and interiors in commercial, hospitality, retail, and residential environments.

Specification Features

UL or ETL Listing	Damp Locations
Certifications	ETL
Housing	Stamped Steel
Lens/Diffuser	Flat Glass Lens
Voltage	AC 110-120v / Driverless Model
Wattage	8w, 15w, 18w, 23w
Lumens	660, 1,000, 1,850
CRI	90
Kelvin	30K, 40K
Operating Temp.	(-20° to -40° C) (25° C Nominal)
Surge Protection	1 kv
Warranty	5 year normal operation
Mounting	Ceiling, includes all necessary hardware. Mounts to most 4" x 4" J boxes. Suitable for installation within closets and/or storage spaces per NEC code 410.16.

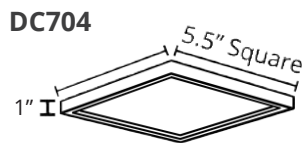


Part	Available Finishes	Voltage	Wattage	Kelvin/ CCT	Dimensions	Lumens	CRI	Dimmable	Special Functions
DC704	BN • ORB • WH	AC 120V	8W	30K • 40K	5.5" OD x 1" H	660	90	Tri-arc	Surface, Wet
DC706	BN • ORB • WH	AC 120V	15W	30K • 40K	6.28" OD x 1" H	1,000	90	Tri-arc	Surface, Wet
DC708	BN • ORB • WH	AC 120V	18W	30K • 40K	8" OD x 1" H	1,200	90	Tri-arc	Surface, Wet
DC710	BN • ORB • WH	AC 120V	23W	30K • 40K	12" OD x 1" H	1,850	90	Tri-arc	Surface, Wet

DC704

4" Ultra-Thin Square Surface Mount Disk

Replaces 4" Recessed Can Light



Applications

LED flush mounts add class to any decor. Low profile design ideally suited for showers, lobbies, corridors, conference rooms, common spaces, kitchenettes, and interiors in commercial, hospitality, retail, and residential environments.

Specification Features

UL or ETL Listing	Wet Locations
Certifications	Title 24, JA8 Certified DLC Certified Energy Star Qualified
Dimensions	.625" Height x 5.5" Outside Diameter
Housing	Stamped Steel
Lens/Diffuser	Flat Glass Lens
Voltage	AC 110-120v - Driverless
Wattage	8w
Lumens	660
CRI	90
Kelvin	30K, 40K
Flicker	(T24, JA8) Flicker Free
Dimmable	Tri-arc
Operating Temp.	(-20° to -40° C) (25° C Nominal)
Surge Protection	1 kv
Warranty	5 year normal operation
Mounting	Ceiling, includes all necessary hardware. Mounts to most 4" x 4" J boxes. Suitable for installation within closets and/or storage spaces per NEC code 410.16.

Ordering Example:

DC704-8W-30K-BN

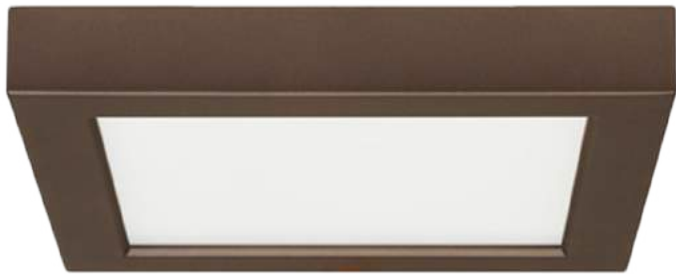
Prefix	Wattage	Kelvin/CCT	Finish	Options
DC704	8W = 8 Watts	30K = 3000°K 40K = 4000°K	BN = Brushed Nickel ORB = Oil Rubbed Bronze WH = White	



DC706

6" Ultra-Thin Square Surface Mount Disk

Replace 6" Recessed Can Light

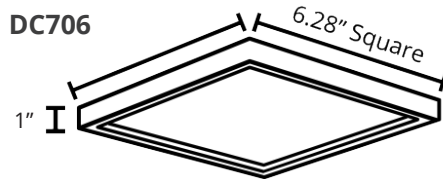


Applications

LED flush mounts add class to any decor. Low profile design ideally suited for showers, lobbies, corridors, conference rooms, common spaces, kitchenettes, and interiors in commercial, hospitality, retail, and residential environments.

Specification Features

UL or ETL Listing	Wet Locations
Certifications	Title 24, JA8 Certified DLC Certified Energy Star Qualified
Dimensions	.625" Height x 6.28" Outside Diameter
Housing	Stamped Steel
Lens/Diffuser	Flat Glass Lens
Voltage	AC 110-120v - Driverless
Wattage	15w
Lumens	1,000
CRI	90
Kelvin	30K, 40K
Flicker	(T24, JA8) Flicker Free
Dimmable	Tri-arc
Operating Temp.	(-20° to -40° C) (25° C Nominal)
Surge Protection	1 kv
Warranty	5 year normal operation
Mounting	Ceiling, includes all necessary hardware. Mounts to most 4" x 4" J boxes. Suitable for installation within closets and/or storage spaces per NEC code 410.16.



Ordering Example:

DC706-15W-30K-BN

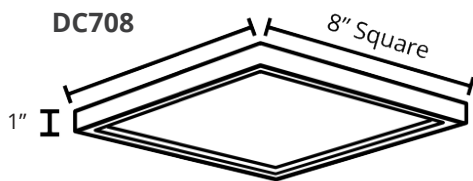
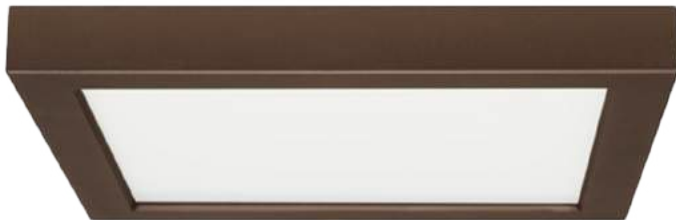


Prefix	Wattage	Kelvin/CCT	Finish	Options
DC706	15W = 15 Watts	30K = 3000°K 40K = 4000°K	BN = Brushed Nickel ORB = Oil Rubbed Bronze WH = White	

DC708

8" Ultra-Thin Square Surface Mount Disk

Replaces 8" Recessed Can Light



Applications

LED flush mounts add class to any decor. Low profile design ideally suited for showers, lobbies, corridors, conference rooms, common spaces, kitchenettes, and interiors in commercial, hospitality, retail, and residential environments.

Specification Features

UL or ETL Listing	Wet Locations
Certifications	Title 24, JA8 Certified DLC Certified Energy Star Qualified
Dimensions	.625" Height x 8" Outside Diameter
Housing	Stamped Steel
Lens/Diffuser	Flat Glass Lens
Voltage	AC 110-120v - Driverless
Wattage	18w
Lumens	1,200
CRI	90
Kelvin	30K, 40K
Flicker	(T24, JA8) Flicker Free
Dimmable	Tri-arc
Operating Temp.	(-20° to -40° C) (25° C Nominal)
Surge Protection	1 kv
Warranty	5 year normal operation
Mounting	Ceiling, includes all necessary hardware. Mounts to most 4" x 4" J boxes. Suitable for installation within closets and/or storage spaces per NEC code 410.16.

Ordering Example:

DC708-18W-30K-BN

Prefix	Wattage	Kelvin/CCT	Finish	Options
DC708	18W = 18 Watts	30K = 3000°K 40K = 4000°K	BN = Brushed Nickel ORB = Oil Rubbed Bronze WH = White	



DC710

10" Ultra-Thin Square Surface Mount Disk

Replace 10" Recessed Can Light

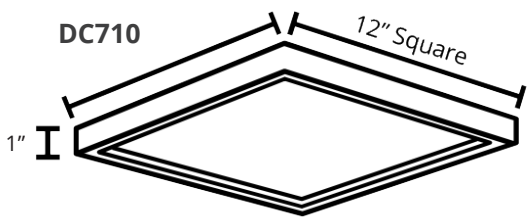


Applications

LED flush mounts add class to any decor. Low profile design ideally suited for showers, lobbies, corridors, conference rooms, common spaces, kitchenettes, and interiors in commercial, hospitality, retail, and residential environments.

Specification Features

UL or ETL Listing	Wet Locations
Certifications	Title 24, JA8 Certified DLC Certified Energy Star Qualified
Dimensions	.625" Height x 12" Outside Diameter
Housing	Stamped Steel
Lens/Diffuser	Flat Glass Lens
Voltage	AC 110-120v - Driverless
Wattage	23w
Lumens	1,850
CRI	90
Kelvin	30K, 40K
Flicker	(T24, JA8) Flicker Free
Dimmable	Tri-arc
Operating Temp.	(-20° to -40° C) (25° C Nominal)
Surge Protection	1 kv
Warranty	5 year normal operation
Mounting	Ceiling, includes all necessary hardware. Mounts to most 4" x 4" J boxes. Suitable for installation within closets and/or storage spaces per NEC code 410.16.



Ordering Example: DC710-23W-30K-BN



Prefix	Wattage	Kelvin/CCT	Finish	Options
DC710	23W = 23 Watts	30K = 3000°K 40K = 4000°K	BN = Brushed Nickel ORB = Oil Rubbed Bronze WH = White	

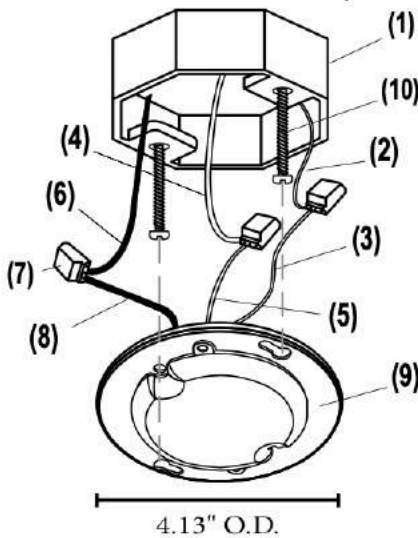
DCTD404

Temporary Round Disk, Jobsite Lighting



Unlike permanent lighting, temporary lighting is installed on a job-site while working to ensure maximum illumination while working. The ability to keep the temporary fixture installed until after sheet rock is installed ensures maximum utility.

Temp Disk Assembly Instructions:



1. Junction Box
2. House Ground Wire
3. Fixture Ground Wire
4. White Supply Wire
5. White Fixture Wire
6. Black Supply Wire
7. Wire Connector
8. Black Fixture Wire
9. Fixture Body
10. Mounting Screw

Applications

Our solution to an ongoing hassle. Install over the J-Box and it doesn't have to be removed until you are ready to install a permanent light fixture. The *Patent Pending* design does not impede sheet rock and has no dangling wire or low hanging fixtures to get in the way of other trades. 2 screws and quick connects make installation a breeze!

Specification Features

UL or ETL Listing	Damp Locations
Certifications	ETL
Dimensions	.59" Height x 4.13" Outside Diameter
Housing	Stamped Steel
Lens/Diffuser	UV Rated Polycarbonate
Voltage	AC 120v
Wattage	10.5w
Lumens	950lm
CRI	90
Kelvin	40K (30K available by special order)
Dimmable	10% on most dimmers
Operating Temp.	(-20° to -40° C) (25° C Nominal)
Warranty	5 year normal operation
Mounting	Mounts to most 4" J boxes

Features:

- Quick & Easy Mounting
- Temporary Light Source
- 10.5 watts & 950 Lumens
- ETL Damp Location
- 25,000 Hr. Rated
- Doesn't impede sheet rock installation



CONFORMS to STD. 1598
 CERTIFIED to CSA STD C22.2 No. 250.0
 Model No: DCTD404-10.5W-40K-WH
 Rating: 120VAC 60Hz 10.5W
 Made in China "ABI" LED2113
 Customer Services 469-640-2688

Ordering Example:

DCTD404-10.5W-120V-30K-WH

Prefix	Wattage	Kelvin/CCT	Finish	Options
DCTD404	10.5W = 10.5 Watts	30K = 3000° K* 40K = 4000° K (30K by special order only)	WH = White	



DCTD101

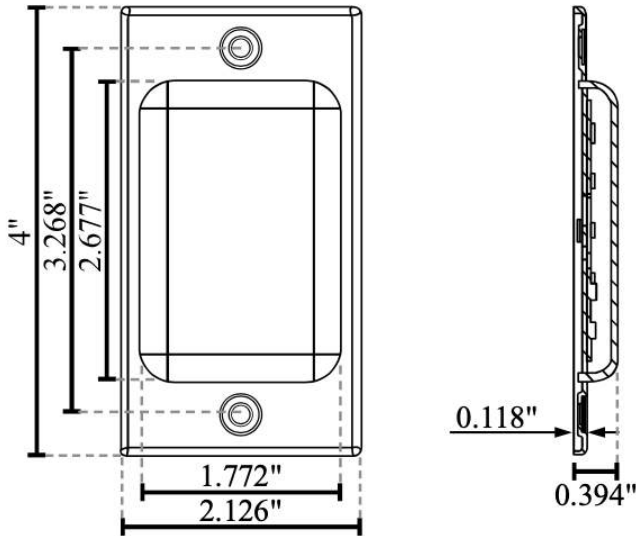
Temporary Vertical Disk, Jobsite Lighting



Standard Single-Gauge J-Box



Unlike permanent lighting, temporary lighting is installed on a job-site while working to ensure maximum illumination while working. The ability to keep the temporary fixture installed until after sheet rock is installed ensures maximum utility.



Applications

Our solution to an ongoing hassle. Install over the J-Box and it doesn't have to be removed until you are ready to install a permanent light fixture. The *Patent Pending* design does not impede sheet rock and has no dangling wire or low hanging fixtures to get in the way of other trades. 2 screws and quick connects make installation a breeze!

Specification Features

UL or ETL Listing	Damp Locations
Certifications	ETL
Dimensions	.4" Height x 2.126" Width x .394" Depth
Housing	Stamped Steel
Lens/Diffuser	UV Rated Polycarbonate
Voltage	AC 120v
Wattage	10.5w
Lumens	1,050lm
CRI	90
Kelvin	40K (30K available by special order)
Dimmable	10% on most dimmers
Operating Temp.	(-20° to -40° C) (25° C Nominal)
Warranty	5 year normal operation
Mounting	Mounts to most 4" J boxes

Features:

- Quick & Easy Mounting
- Temporary Light Source
- 11 watts & 750 Lumens
- ETL Damp Location
- 25,000 Hr. Rated
- Doesn't impede sheet rock installation



CONFORMS to STD. 1598
 CERTIFIED to CSA STD C22.2 No. 250.0
 Model No: DCTD404-10.5W-40K-WH
 Rating: 120VAC 60Hz 10.5W
 Made in China "ABI" LED2113
 Customer Services 469-640-2688

Ordering Example:

DCTD101-11W-30K-WH

Prefix	Wattage	Kelvin/CCT	Finish	Options
DCTD101	11W = 11 Watts	30K = 3000° K* 40K = 4000° K (30K by special order only)	WH = White	



LED Outdoor

LED Outdoor Wall Mount



Applications

Ideal for entrances, walkways, rear doors, patios, multifamily, or single-family homes as well as commercial building applications.

Specification Features

UL or ETL Listing	Damp Locations
Housing	Cold Rolled Steel • Baked Enamel
Lens/Diffuser	Matte White Acrylic
Voltage	AC 120v
Light Source	Integrated LED
Wattage	6w, 10W
Lumens	480, 600
CRI	>80
Kelvin	30K, 40K
Warranty	5 year normal operation
Mounting	Wall Mount. All necessary hardware included.



DC3809

9.8"W x 7.9"H x 8.9"Ext.
6 Watt Integrated LED



DC3862

7"W x 2.75"H x 3"Ext.
10 Watt Integrated LED



DC3857

4.53"W x 11.4"H x 2.8"Ext.
10 Watt Integrated LED
Glass Only: GL-DC3857



Ordering Example:

DC3809-6W-30K-BK



Prefix	Kelvin/CCT	Finish	Options
DC3809-6W	30K - 3000° Kelvin	BN = Brushed Nickel	
DC3862-10W	40K - 4000° Kelvin	ORB = Oil Rubbed Bronze	
DC3857-10W		WH = White	
		BK = Black	

LED Outdoor

Decorative Wall Mount



Applications

Ideal for entrances, walkways, rear doors, patios, multifamily, or single-family homes as well as commercial building applications.



Specification Features

UL or ETL Listing	Wet Locations
Housing	Cold Rolled Steel
Voltage	AC 120v
Light Source	10 watt LED A19 E26 Bulb (Sold Separately)
Kelvin	30K, 40K
Warranty	5 year normal operation
Mounting	Wall Mount. All necessary hardware included.
Glass Only	GL-DC5514

Suggested Lamp



LEDA110 • 30K • >80 CRI
LEDA112 • 40K • >80 CRI

Part	Wattage	Lumens	# of Sockets	Dimensions
DC5514	20w (2x 10)	1,600	2	6"W x 14.28"H x 3.25"Ext.

Ordering Example:

DC5514-20W-30K-ORB

Prefix	Wattage	Kelvin/CCT	Finish	Options
DC5514	20W = 2x 10 Watt LED A19 Lamp	30K - 3000° Kelvin 40K - 4000° Kelvin	ORB = Oil Rubbed Bronze	



LED Outdoor

Decorative Wall Mount



Applications

Ideal for entrances, walkways, rear doors, patios, multifamily, or single-family homes as well as commercial building applications.

Specification Features

UL or ETL Listing	Damp Locations
Housing	Cold Rolled Steel • Baked Enamel
Lens/Diffuser	Matte White Acrylic
Voltage	AC 120v
Light Source	E26 Base LED A15 or T10 (Sold Separately)
Wattage	5.5w, 11w
Lumens	600, 1200
CRI	>80
Kelvin	30K, 40K
Warranty	5 year normal operation
Mounting	Wall Mount. All necessary hardware included.



DC5896

4.75"W x 9.625"H x 3.125"Ext.
10 Watt LED A19 Lamp



DC5897

4.75"W x 16"H x 3.5"Ext.
2x 10 Watt LED A19 Lamps




Suggested Lamp



LEDA210 • 27K • >80 CRI
LEDA214 • 41K • >80 CRI

Ordering Example:

DC3857-5.5W-30K-BK

Prefix	Wattage	Kelvin/CCT	Finish	Options
DC5896	5.5W = 5.5 Watt LED A19 Lamp	30K - 3000° Kelvin	GY = Grey	  
DC5897	11W = 2x 5.5 Watt LED A19 Lamp	40K - 4000° Kelvin	ORB = Oil Rubbed Bronze WH = White BK = Black	

LED Outdoor

Decorative Wall Mount



Applications

Ideal for entrances, walkways, rear doors, patios, multifamily, or single-family homes as well as commercial building applications.

Specification Features

UL or ETL Listing	Damp Locations
Housing	Aluminum
Lens	White Acrylic
Voltage	AC 120v
Light Source	10 watt LED A19 E26 Bulb (Sold Separately)
Kelvin	30K, 40K
Warranty	5 year normal operation
Mounting	Wall Mount. All necessary hardware included.
Glass Only	GL-DC3540

Suggested Lamp



LEDA110 • 30K • >80 CRI
LEDA112 • 40K • >80 CRI

Part	Wattage	Lumens	# of Sockets	Dimensions
DC3540	10	800	1	7.13"W x 16.25"H x 4"Ext.

Ordering Example:

DC3540-10W-30K-BN

Prefix	Wattage	Kelvin/CCT	Finish	Options
DC3540	10W = 10 Watt LED A19 Lamp	30K - 3000° Kelvin 40K - 4000° Kelvin	BN = Brushed Nickel ORB = Oil Rubbed Bronze	



LED Outdoor

Decorative Wall Mount



Applications

Ideal for entrances, walkways, rear doors, patios, multifamily, or single-family homes as well as commercial building applications.

Specification Features

UL or ETL Listing	Wet Locations
Housing	Cold Rolled Steel
Lens	Frosted Glass
Voltage	AC 120v
Light Source	10 watt LED A19 E26 Bulb (Sold Separately)
Kelvin	30K, 40K
Warranty	5 year normal operation
Mounting	Wall Mount. All necessary hardware included.
Glass Only	GL-DC3512 GL-DC3513 GL-DC3514

Suggested Lamp



LEDA110 • 30K • >80 CRI
LEDA112 • 40K • >80 CRI

Part	Wattage	Lumens	# of Sockets	Dimensions
DC3512	10w (1x 10)	1,600	2	8"W x 16"H x 6"Ext.
DC3513	20w (2x 10)	1,600	2	11.75"W x 13"H x 6.75"Ext.
DC3514	20w (2x 10)	800	1	5.5"W x 6.5"H x 5"Ext.

Ordering Example:

DC3512-10W-30K-BN

Prefix	Wattage	Kelvin/CCT	Finish	Options
DC3512	10W = 10 Watt LED A19 Lamp	30K - 3000° Kelvin	BN = Brushed Nickel	
DC3513	20W = 2x 10 watt LED A19	40K - 4000° Kelvin	ORB = Oil Rubbed Bronze	
DC3514				



LED Outdoor

Decorative Wall Mount



DC3499
DC3500
DC3501



DC3506
DC3507

Applications

Ideal for entrances, walkways, rear doors, patios, multifamily, or single-family homes as well as commercial building applications.

Specification Features

UL or ETL Listing	Wet Locations
Housing	Cold Rolled Steel Baked on Enamel
Lens	White Acrylic Lens
Voltage	AC 120v
Light Source	10 watt LED A19 E26 Bulb (Sold Separately)
Kelvin	30K, 40K
Warranty	5 year normal operation
Mounting	Wall Mount. All necessary hardware included.
Glass Only	GL-DC3499 GL-DC3500 GL-DC3501 GL-DC3506 GL-DC3507

Suggested Lamp



LEDA110 • 30K • >80 CRI
LEDA112 • 40K • >80 CRI

Part	Wattage	Lumens	# of Sockets	Dimensions
DC3499	20w (2x 10)	1,600	2	10"W x 14"H x 6.25"Ext.
DC3500	20w (2x 10)	1,600	2	10"W x 18"H x 6.25"Ext.
DC3501	20w (2x 10)	1,600	2	10"W x 24"H x 6.25"Ext.
DC3506	20w (2x 10)	1,600	2	10"W x 18"H x 6.25"Ext.
DC3507	20w (2x 10)	1,600	2	10"W x 24"H x 6.25"Ext.

Ordering Example:

DC3500-20W-30K-BN

Prefix	Wattage	Kelvin/CCT	Finish	Options
DC3499	20W = 2x 10 Watt LED A19 Lamp	30K - 3000° Kelvin	ORB = Oil Rubbed Bronze	
DC3500		40K - 4000° Kelvin	BK = Black	
DC3501				
DC3506				
DC3507				



LED Outdoor

Decorative Wall Mount



Applications

Ideal for entrances, walkways, rear doors, patios, multifamily, or single-family homes as well as commercial building applications.



DC3415
DC3516
DC3517



DC3508
DC3509
DC3510

Specification Features

UL or ETL Listing	Wet Locations
Housing	Cold Rolled Steel Baked on Enamel
Lens	White Acrylic Lens
Voltage	AC 120v
Light Source	10 watt LED A19 E26 Bulb (Sold Separately)
Kelvin	30K, 40K
Warranty	5 year normal operation
Mounting	Wall Mount. All necessary hardware included.
Glass Only	GL-DC3508 GL-DC3509 GL-DC3510 GL-DC3515 GL-DC3516 GL-DC3517

Part	Wattage	Lumens	# of Sockets	Dimensions
DC3508	20w (2x 10)	1,600	2	10"W x 14"H x 6.25"Ext.
DC3509	20w (2x 10)	1,600	2	10"W x 18"H x 6.25"Ext.
DC3510	20w (2x 10)	1,600	2	10"W x 24"H x 6.25"Ext.
DC3515	20w (2x 10)	1,600	2	10"W x 14"H x 6.25"Ext.
DC3516	20w (2x 10)	1,600	2	10"W x 18"H x 6.25"Ext.
DC3517	20w (2x 10)	1,600	2	10"W x 24"H x 6.25"Ext.

Suggested Lamp



LEDA110 • 30K • >80 CRI
LEDA112 • 40K • >80 CRI

Ordering Example:

DC3515-20W-30K-BN

Prefix	Wattage	Kelvin/CCT	Finish	Options
DC3508	20W = 2x 10 Watt LED A19 Lamp	30K - 3000° Kelvin	ORB = Oil Rubbed Bronze	
DC3509		40K - 4000° Kelvin	BK = Black	
DC3510				
DC3515				
DC3516				
DC3517				



LED Outdoor

Decorative Wall Mount



DC5314



DC5316



DC5317

Applications

Ideal for entrances, walkways, rear doors, patios, multifamily, or single-family homes as well as commercial building applications.

Specification Features

UL or ETL Listing	Wet Locations
Housing	Die Cast Aluminum / Stamped Steel
Lens	White Frosted Lens
Voltage	AC 120v
Light Source	10 watt LED A19 E26 Bulb (Sold Separately)
Kelvin	30K, 40K
Warranty	5 year normal operation
Mounting	Wall Mount. All necessary hardware included.
Glass Only	GL-DC5314 GL-DC5316 GL-DC5317

Suggested Lamp



LEDA110 • 30K • >80 CRI
LEDA112 • 40K • >80 CRI

Part	Wattage	Lumens	CRI	Kelvin	Dimensions
DC5314	10w	800lm	>80	30K, 40K	10.25"W x 5.25"Ext.
DC5316	10w	800lm	>80	30K, 40K	10.25"W x 5.25"Ext.
DC5317	10w	800lm	>80	30K, 40K	10.25"W x 5.25"Ext.



Ordering Example:

DC5314-10W-30K-BK

Prefix	Wattage	Kelvin/CCT	Finish	Options
DC5314	10W = 10 Watt LED A19 Lamp	30K - 3000° Kelvin	BK = Black	
DC5316		40K - 4000° Kelvin		
DC5317				

LED Outdoor

Decorative Wall Mount



DC5942
White Opal Glass



DC5560
White Opal Glass



DC5664
Frosted Seeded Glass

Applications

Ideal for entrances, walkways, rear doors, patios, multifamily, or single-family homes as well as commercial building applications.

Specification Features

UL or ETL Listing	Wet Locations
Housing	Cold Rolled Steel • Baked Enamel
Lens/Diffuser	White Opal / Frosted Seeded Glass
Voltage	AC 120v
Light Source	10 watt LED A19 E26 Bulb (Sold Separately)
Kelvin	30K, 40K
Warranty	5 year normal operation
Mounting	Wall Mount. All necessary hardware included.
Glass Only	GL-DC5560 GL-DC5942 GL-DC5664

Suggested Lamp



LEDA110 • 30K • >80 CRI
LEDA112 • 40K • >80 CRI

Part	Wattage	Lumens	# of Sockets	Dimensions
DC5560	10	800	1	7.875"W x 12.25"H x 9.125"Ext.
DC5942	10	800	1	5.5"W x 10"H x 6.5"Ext.
DC5664	10	800	1	6.25"W x 10.5"H x 7"Ext.

Ordering Example:

DC5560-BK-10W-30K

Prefix	Wattage	Kelvin/CCT	Finish	Options
DC5560	10W = 10 Watt LED A19 Lamp	30K - 3000° Kelvin	ORB = Oil Rubbed Bronze	
DC5942		40K - 4000° Kelvin	BK = Black	
DC5664				



LED Outdoor

Decorative Wall Mount



Applications

Ideal for entrances, walkways, rear doors, patios, multifamily, or single-family homes as well as commercial building applications.



DC5964



DC5726

Specification Features

UL or ETL Listing	Wet Locations
Housing	Cold Rolled Steel • Baked Enamel
Lens/Diffuser	White Opal Glass
Voltage	AC 120v
Light Source	10 watt LED A19 E26 Bulb (Sold Separately)
Kelvin	30K, 40K, 50K
Warranty	5 year normal operation
Mounting	Wall Mount. All necessary hardware included.
Glass Only	GL-DC5726 GL-DC5964

Suggested Lamp



LEDA110 • 30K • >80 CRI
LEDA112 • 40K • >80 CRI

Part	Wattage	Lumens	# of Sockets	Dimensions
DC5726	10	800	1	7"W x 12.5"H x 7.75"Ext.
DC5964	10	800	1	5.375"W x 9.5"H x 6.75"Ext.

Ordering Example:

DC5726-10W-30K-BK

Prefix	Wattage	Kelvin/CCT	Finish	Options
DC5726	10W = 10 Watt LED A19 Lamp	30K - 3000° Kelvin	ORB = Oil Rubbed Bronze	
DC5964		40K - 4000° Kelvin	BK = Black	



LED Outdoor

Decorative Wall Mount



DC5956
DC5957
DC5958



DC5562

Applications

Ideal for entrances, walkways, rear doors, patios, multifamily, or single-family homes as well as commercial building applications.

Specification Features

UL or ETL Listing	Damp Locations
Housing	Cold Rolled Steel • Baked Enamel
Lens/Diffuser	White Opal Glass
Voltage	AC 120v
Light Source	10 watt LED A19 E26 Bulb (Sold Separately)
Kelvin	30K, 40K
Warranty	5 year normal operation
Mounting	Wall Mount. All necessary hardware included.
Glass Only	GL-DC5956 GL-DC5957 GL-DC5958 GL-DC5562

Suggested Lamp



LEDA110 • 30K • >80 CRI
LEDA112 • 40K • >80 CRI

Part	Wattage	Lumens	# of Sockets	Dimensions
DC5956	10	800	1	6.15"W x 10"H x 7.3"Ext.
DC5957	10	800	1	8"W x 12.25"H x 9.5"Ext.
DC5958	10	800	1	9"W x 14.5"H x 10.5"Ext.
DC5562	10	800	1	8.5"W x 16.75"H x 10.75"Ext.

Ordering Example:

DC5956-10W-30K-BK

Prefix	Wattage	Kelvin/CCT	Finish	Options
DC5956	10W = 10 Watt LED A19 Lamp	30K - 3000° Kelvin	BN = Brushed Nickel	
DC5957		40K - 4000° Kelvin	ORB = Oil Rubbed Bronze	
DC5958			WH = White	
DC5562			BK = Black	



LED Outdoor

Decorative Wall Mount



Applications

Ideal for entrances, walkways, rear doors, patios, multifamily, or single-family homes as well as commercial building applications.



DC5234
White Opal Glass



DC5235
White Opal Glass



DC5570
Clear Seeded Glass

Specification Features

UL or ETL Listing	Wet Locations
Housing	Cold Rolled Steel
Voltage	AC 120v
Light Source	10 watt LED A19 E26 Bulb (Sold Separately)
Kelvin	30K, 40K
Warranty	5 year normal operation
Mounting	Wall Mount. All necessary hardware included.
Glass Only	GL-DC5234 GL-DC5235 GL-DC5570

Suggested Lamp



LEDA110 • 30K • >80 CRI
LEDA112 • 40K • >80 CRI

Part	Wattage	Lumens	# of Sockets	Dimensions
DC5234	10	800	1	6"W x 7.25"H x 6"Ext.
DC5235	10	800	1	6"W x 7.25"H x 6"Ext.
DC5570	10	800	1	5"W x 11.25"H x 9.25"Ext.

Ordering Example:

DC5234-10W-30K-BK

Prefix	Wattage	Kelvin/CCT	Finish	Options
DC5234	10W = 10 Watt LED A19 Lamp	30K - 3000° Kelvin	ORB = Oil Rubbed Bronze	
DC5235		40K - 4000° Kelvin	BK = Black	
DC5570				



LED Outdoor

Decorative Wall Mount



DC5580

Applications

Ideal for entrances, walkways, rear doors, patios, multifamily, or single-family homes as well as commercial building applications.

Specification Features

UL or ETL Listing	Wet Locations
Housing	Cold Rolled Steel • Baked Enamel
Voltage	AC 120v
Light Source	10 watt LED A19 E26 Bulb (Sold Separately)
Kelvin	30K, 40K
Warranty	5 year normal operation
Mounting	Wall Mount. All necessary hardware included.



DC5014



DC5015

Suggested Lamp



LEDA110 • 30K • >80 CRI
LEDA112 • 40K • >80 CRI

Part	Wattage	Lumens	# of Sockets	Dimensions
DC5014	10	800	1	8.75"W x 12"H x 10.5"Ext.
DC5015	10	800	1	8.75"W x 10.5"H x 10.5"Ext.
DC5580	10	800	1	7"W x 12.5"H x 7.75"Ext.

Ordering Example:

DC5014-10W-30K-BK



Prefix	Wattage	Kelvin/CCT	Finish	Options
DC5014	10W = 10 Watt LED A19 Lamp	30K - 3000° Kelvin	ORB = Oil Rubbed Bronze	
DC5015		40K - 4000° Kelvin	BK = Black	
DC5580			SI = Silver (DC5580)	
			WB = Weathered Brass (DC5580)	

LED Outdoor



Decorative Wall Mount



DC5586
Wall Mount
Up or Down Light



DC5584
Wall Mount
Up & Down Light



DC5588
Ceiling Mount

Applications

Ideal for entrances, walkways, rear doors, patios, multifamily, or single-family homes as well as commercial building applications.

Specification Features

UL or ETL Listing	Wet Locations
Housing	Die Cast Aluminum
Lens	None
Voltage	AC 120v
Light Source	10 watt LED A19 E26 Bulb (Sold Separately)
Kelvin	30K, 40K, 50K
Warranty	5 year normal operation
Mounting	Wall Mount. All necessary hardware included.

Suggested Lamp



LEDA110 • 30K • >80 CRI
LEDA112 • 40K • >80 CRI

Part	Wattage	Lumens	CRI	Kelvin	Dimensions
DC5584	20w (2x 10w)	1,600lm	>80	30K, 40K	6"W x 15"H x 8.3"Ext.
DC5586	10w	800lm	>80	30K, 40K	4.375"W x 7"H x 4.25"Ext.
DC5588	10w	800lm	>80	30K, 40K	6"W x 9"H

Ordering Example:

DC5586-10W-30K-BK

Prefix	Wattage	Kelvin/CCT	Finish	Options
DC5584	10W = 10 Watt LED A19 Lamp	30K - 3000° Kelvin	ORB = Oil Rubbed Bronze	
DC5586	20W = 2x 10 Watt LED A19 Lamp	40K - 4000° Kelvin	WH = White	
DC5588			BK = Black	
			SI = Silver	



LED Outdoor

Decorative Wall Mount



Applications

Ideal for entrances, walkways, rear doors, patios, multifamily, or single-family homes as well as commercial building applications.

Specification Features

UL or ETL Listing	Wet Locations
Housing	Die Cast Aluminum
Voltage	AC 120v
Light Source	10 watt LED A19 E26 Bulb (Sold Separately)
Kelvin	30K, 40K
Warranty	5 year normal operation
Mounting	Wall Mount. All necessary hardware included.



DC5506
Wall Mount
Up or Down Light



DC5508
Wall Mount
Up & Down Light



DC5516
Ceiling Mount



DC5504
Optional Baffle

Suggested Lamp



LEDA110 • 30K • >80 CRI
LEDA112 • 40K • >80 CRI

Part	Wattage	Lumens	CRI	Kelvin	Dimensions
DC5506	10w	800lm	>80	30K, 40K	4.38"W x 7"H x 7.5"Ext.
DC5508	20w (2x 10w)	1,600lm	>80	30K, 40K	4.25"W x 12"H x 7.375"Ext.
DC5516	10w	800lm	>80	30K, 40K	4.75"W x 7"H x 7.5"Ext

Ordering Example:

DC5506-10W-30K-BK-DC5504

Prefix	Wattage	Kelvin/CCT	Finish	Options
DC5506	10W = 10 Watt LED A19 Lamp	30K - 3000° Kelvin	ORB = Oil Rubbed Bronze	DC5504 = Optional Baffle
DC5508	20W = 2x 10 Watt LED A19 Lamp	40K - 4000° Kelvin	BK = Black	
DC5516				



LED Outdoor

Commercial Up & Down Building Light



DC5510

Applications

Ideal for homes, courtyards, verandas, building walls, and hotels. Residential and commercial building applications. Up & down lights give your outdoor space a bright and modern look. The sleek style shines light upward and downward for atmospheric ambient light as well as useful illumination along walkways.

Specification Features

UL or ETL Listing	Wet Locations (IP65)
Housing	Die Cast Aluminum
Lens	Glass
Voltage	AC 120v-277v
Light Source	Integrated LED
Light Color	WH, B, R, G, RGB
CRI	>80
Beam Angle	30°
PF	>0.9
Driver	Built-in
Warranty	5 year normal operation
Mounting	Wall Mount, included all necessary hardware. Easy install metal plate 5" x 5".
Features	<ul style="list-style-type: none"> • Instant On/Off • Sealed fixture (bug free) • Available in multiple light colors

See additional specs on pg. 93

Part	Wattage	Lumens	Dimensions
DC5510-18W (2x 9w)	18w	1,620lm	4.25"W x 11.8"H x 6.76"Ext.
DC5510-24W (2x 12w)	24w	2,160lm	4.25"W x 11.8"H x 6.76"Ext.
DC5510-36W (2x 18w)	36w	3,240lm	5.75"W x 11.8"H x 8.26"Ext.
DC5510-48W (2x 9w24)	48w	4,320lm	6.3"W x 11.8"H x 8.81"Ext.
DC5510-60W (2x 30w)	60w	5,400lm	6.3"W x 11.8"H x 8.81"Ext.

Ordering Example:

DC5510-18W-BK-WH

Prefix	Wattage		Finish	LED Color	
DC5510	18W = 2x 9 watt LED	48W = 2x 24 watt LED	BK = Black	WH = White	GN = Green
	24W = 2x 12 watt LED	60W = 2x 30 watt LED	BZ = Bronze	BL = Blue	RGB = Multi-Color
	36W = 2x 18 watt LED			RD = Red	



LED Outdoor

Commercial Up or Down Building Light



DC5512

Applications

Ideal for homes, courtyards, verandas, building walls, and hotels. Residential and commercial building applications. Up & down lights give your outdoor space a bright and modern look. The sleek style shines light upward and downward for atmospheric ambient light as well as useful illumination along walkways.

Specification Features

UL or ETL Listing	Wet Locations (IP65)
Housing	Die Cast Aluminum
Lens	Glass
Voltage	AC 120v-277v
Light Source	Integrated LED
Light Color	WH, B, R, G, RGB
CRI	>80
Beam Angle	30°
PF	>0.9
Driver	Built-in
Warranty	5 year normal operation
Mounting	Wall Mount, included all necessary hardware. Easy install metal plate 5" x 5".
Features	<ul style="list-style-type: none"> • Instant On/Off • Sealed fixture (bug free) • Available in multiple light colors

See additional specs on pg. 93

Part	Wattage	Lumens	Dimensions
DC5512-9W	9w	810lm	4.25"W x 7.87"H x 6.76"Ext.
DC5512-12W	12w	1,080lm	4.25"W x 7.87"H x 6.76"Ext.
DC5512-18W	18w	1,620lm	5.75"W x 7.87"H x 8.26"Ext.
DC5512-24W	24w	2,160lm	6.3"W x 7.87"H x 8.81"Ext.
DC5512-30W	30w	2,700lm	6.3"W x 7.87"H x 8.81"Ext.

Ordering Example:

DC5512-9W-BK-WH

Prefix	Wattage	Finish	LED Color
DC5512	9W = 9 watt LED 12W = 12 watt LED 18W = 18 watt LED 24W = 24 watt LED 30W = 30 watt LED	BK = Black BZ = Bronze	WH = White B = Blue R = Red G = Green RGB = Multi-Color



LED Outdoor

Commercial Up and/or Down Building Light



Function of remote panels



- "1": OFF button.
- "2": ON button.
- "3": Static red button.
- "4": Static Green button.
- "5": Static Blue button.
- "6": Static Yellow (Red+Green) button.
- "7": Static Cyan (Green+Blue) button.
- "8": Static purple (Blue+Red) button.
- "9": Static White Cyan (Red+Green+Blue) button.
- "10": The above color changes automatically according to the set program.
- "11": Seven color cycling gradually button.
- "12": Three color (Red+Green+Blue) jumpy change button.

NOTE: Save the program setting after power off, RF control distance is 100M



Power	A	B
2x 12W	4 ft.	20 ~ 27 ft.
2x 18W	6 ft.	27 ~ 33 ft.
2x 24W	6.5 ft.	43 ~ 50 ft.
2x 36W	8.3 ft.	55 ~ 60 ft.

A: The diameter of the aperture.
B: Height of building that can be illuminated by light.

LED Outdoor

Elevator Light



Applications

Ideal for entrances, walkways, rear doors, patios, multifamily, or single-family homes as well as commercial building applications.

Specification Features

UL or ETL Listing	Wet Locations
Housing	Die Cast Aluminum
Lens	Clear Glass Jar
Voltage	AC 120v
Light Source	10 watt LED A19 E26 Bulb (Sold Separately)
Kelvin	30K, 40K
Warranty	5 year normal operation
Mounting	Wall Mount / Ceiling Mount. All necessary hardware included.

DC5961
Wall Mount



DC5858
Ceiling Mount

Suggested Lamp



LEDA110 • 30K • >80 CRI
LEDA112 • 40K • >80 CRI

Part	Wattage	Lumens	CRI	Kelvin	Dimensions
DC5858	10w	1,600lm	>80	30K, 40K	6"W x 15"H x 9"Ext.
DC5961	10w	800lm	>80	30K, 40K	6"W x 9"H x 9"Ext.

Ordering Example:

DC5858-10W-30K-SA

Prefix	Wattage	Kelvin/CCT	Finish	Options
DC5858	10W = 10 Watt LED A19 Lamp	30K - 3000° Kelvin	SA = Satin Aluminum	
DC5961		40K - 4000° Kelvin		



LED Outdoor

Decorative Wall Mount



Applications

Ideal for entrances, walkways, rear doors, patios, multifamily, or single-family homes as well as commercial building applications.

Specification Features

UL or ETL Listing	Wet Locations
Housing	High Impact Polycarbonate
Lens	White Frosted Glass
Voltage	AC 120v
Light Source	10 watt LED A19 E26 Bulb (Sold Separately)
Kelvin	30K, 40K
Warranty	5 year normal operation
Mounting	Wall Mount. All necessary hardware included.



DC5800



DC5802



DC5836



DC5848



DC5826

Part	Wattage	Lumens	CRI	Kelvin	Dimensions
DC5800	10w	800lm	>80	30K, 40K, 50K	10"W x 5.25"Ext.
DC5802	10w	800lm	>80	30K, 40K, 50K	10"W x 5.25"Ext.
DC5826	10w	800lm	>80	30K, 40K, 50K	6.5"W x 10"H x 5"Ext.
DC5836	10w	800lm	>80	30K, 40K, 50K	6.5"W x 10"H x 5"Ext.
DC5848	10w	800lm	>80	30K, 40K, 50K	6.5"W x 10"H x 5"Ext.

Suggested Lamp



LEDA110 • 30K • >80 CRI
LEDA112 • 40K • >80 CRI



Ordering Example:

DC5800-10W-30K-BK

Prefix	Wattage	Kelvin/CCT	Finish	Options
DC5800	DC5836	10W = 10 Watt LED A19 Lamp	30K - 3000° Kelvin	BK = Black
DC5802	DC5848		40K - 4000° Kelvin	WH = White
DC5826				

LED Outdoor

Decorative Wall Mount



Applications

Ideal for entrances, walkways, rear doors, patios, multifamily, or single-family homes as well as commercial building applications.



DC5850



DC5852

Specification Features

UL or ETL Listing	Wet Locations
Housing	High Impact Polycarbonate
Lens	White Frosted Lens
Voltage	AC 120v
Light Source	10 watt LED A19 E26 Bulb (Sold Separately)
Kelvin	30K, 40K
Warranty	5 year normal operation
Mounting	Wall Mount. All necessary hardware included.

Suggested Lamp



LEDA110 • 30K • >80 CRI
LEDA112 • 40K • >80 CRI

Part	Wattage	Lumens	CRI	Kelvin	Dimensions
DC5850	10w	800lm	>80	30K, 40K	10.25"W x 5.25"Ext.
DC5852	10w	800lm	>80	30K, 40K	10.25"W x 5.25"Ext.

Ordering Example:

DC5800-10W-30K-BK

Prefix	Wattage	Kelvin/CCT	Finish	Options
DC5850	10W = 10 Watt LED A19 Lamp	30K - 3000° Kelvin	WH = White	
DC5852		40K - 4000° Kelvin	BK = Black	



LED Outdoor

Decorative Wall Mount



Applications

Ideal for entrances, walkways, rear doors, patios, multifamily, or single-family homes as well as commercial building applications.

Specification Features

UL or ETL Listing	Wet Locations
Housing	High Impact Polycarbonate
Lens	Frosted Polycarbonate
Voltage	AC 120v
Light Source	10 watt LED A19 E26 Bulb (Sold Separately)
Kelvin	30K, 40K
Warranty	5 year normal operation
Mounting	Wall Mount. All necessary hardware included.



DC5857



DC5855



Suggested Lamp



LEDA110 • 30K • >80 CRI
LEDA112 • 40K • >80 CRI

Part	Wattage	Lumens	CRI	Kelvin	Dimensions
DC5855	10w	800lm	>80	30K, 40K	10.25"W x 5.75"H x 4.25"Ext.
DC5857	10w	800lm	>80	30K, 40K	11"W x 7.25"H x 3.38"Ext.

Ordering Example:

DC5855-10W-30K-BK

Prefix	Wattage	Kelvin/CCT	Finish	Options
DC5855	10W = 10 Watt LED A19 Lamp	30K - 3000° Kelvin	WH = White	
DC5857		40K - 4000° Kelvin	BK = Black	



LED Outdoor

Decorative Wall Mount



Photocell Included

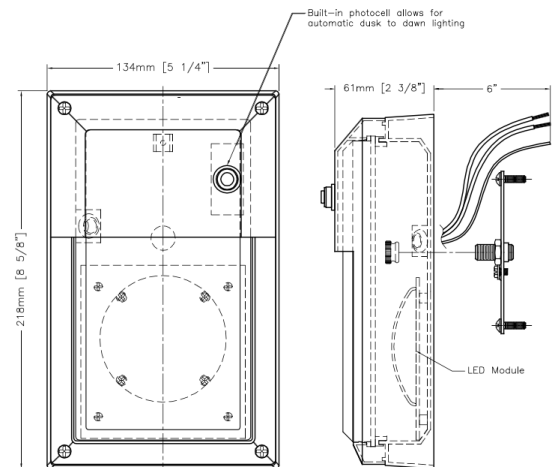


Applications

Ideal for entrances, walkways, rear doors, patios, multifamily, or single-family homes as well as commercial building applications.

Specification Features

UL or ETL Listing	Wet Locations
Energy Star	Yes
Housing	Aluminum
Lens	Opal Polycarbonate
Voltage	AC 120v
Light Source	9 watt Integrated LED
Kelvin	30K, 40K
Warranty	5 year normal operation
Mounting	Wall Mount. All necessary hardware included.



Part	Wattage	Lumens	CRI	Dimensions
DC5020	9	650	>80	5.5"W x 8.5"H x 2.38"Ext.



Ordering Example:

DC5020-9W-30K-BK

Prefix	Wattage	Kelvin/CCT	Finish	Options
DC5020	9W = 9 Watt Integrated LED	30K - 3000° Kelvin 40K - 4000° Kelvin	BK = Black	

LED Outdoor

Decorative Wall Mount



Applications

Ideal for entrances, walkways, rear doors, patios, multifamily, or single-family homes as well as commercial building applications.

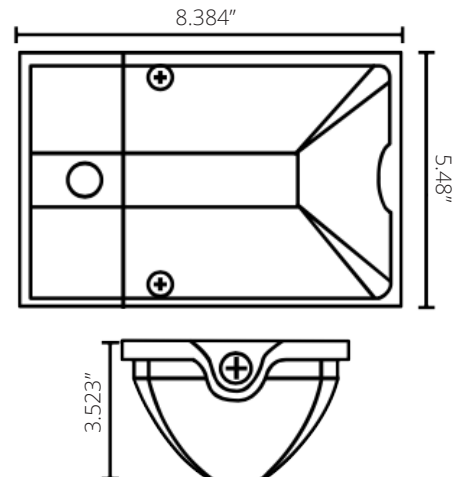


Photocell Included



Specification Features

UL or ETL Listing	Wet Locations (IP65)
Housing	Cold Rolled Steel Baked on Enamel
Lens	White Acrylic Lens
Voltage	AC 120v
Light Source	10 watt LED A19 E26 Bulb (Sold Separately)
Kelvin	30K, 40K
Warranty	5 year normal operation
Mounting	Wall Mount. All necessary hardware included.



Part	Wattage	Lumens	CRI	Kelvin	Dimensions
DCLEDWP782	17w	1,700lm	80	30K, 40K	5.48"W x 8.384"H x 3.523"Ext.
DCLEDWP784	25w	2,200lm	80	30K, 40K	5.48"W x 8.384"H x 3.523"Ext.

Ordering Example:
DCLEDWP782-17W-30K-DB

Prefix	Wattage	Kelvin/CCT	Finish	Options
DCLEDWP782	17W = 17 Watt Integrated LED	30K - 3000° Kelvin	DB = Dark Bronze	
DCLEDWP784	25W = 25 Watt Integrated LED	40K - 4000° Kelvin	WH = White	



LED Outdoor

Decorative Wall Mount

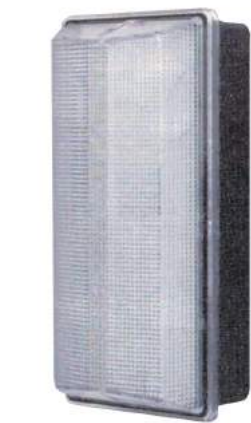


Applications

Ideal for entrances, walkways, rear doors, patios, multifamily, or single-family homes as well as commercial building applications.

Specification Features

UL or ETL Listing	Wet Locations
Housing	Stamped Steel w/ Powder Coat
Lens	Polycarbonate
Voltage	AC 120v
Light Source	10 watt LED A19 E26 Bulb (Sold Separately)
Warranty	5 year normal operation
Mounting	Ceiling or wall mount. Knock-outs on both ends for continuous runs. Includes all necessary hardware.
Features	<ul style="list-style-type: none"> • Bug Resistant / Applied Bug Gasket • High Impact / Vandal Resistant • Interchangeable Lenses and Bodies



DC5959



DC5951



DC5911



DC5912

Suggested Lamp



LEDA110 • 30K • >80 CRI
LEDA112 • 40K • >80 CRI

Part	Wattage	Lumens	CRI	Kelvin	Dimensions
DC5911	20w (2x 10w)	1,600lm	>80	30K, 40K	5.5"W x 11"H x 4"Ext.
DC5912	20w (2x 10w)	1,600lm	>80	30K, 40K	5.5"W x 11"H x 4"Ext.
DC5951	20w (2x 10w)	1,600lm	>80	30K, 40K	5.5"W x 11"H x 4"Ext.
DC5959	20w (2x 10w)	1,600lm	>80	30K, 40K	5.5"W x 11"H x 4"Ext.

Ordering Example:

DC5959-20W-30K-BK

Prefix	Wattage	Kelvin/CCT	Finish	Options
DC5911	20W = 2x 10 watt LED A19	30K - 3000° Kelvin	BK = Black	
DC5912		40K - 4000° Kelvin	ORB = Oil Rubbed Bronze	
DC5951				
DC5959				



LED Outdoor

Carport Wall Mount



Applications

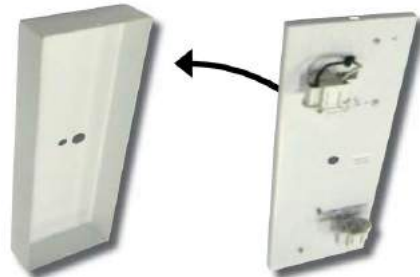
Ideal for entrances, walkways, rear doors, patios, multifamily, or single-family homes as well as commercial building applications.

Specification Features

UL or ETL Listing	Wet Locations
Housing	Stamped Steel w/ Powder Coat
Lens	Clear Polycarbonate
Voltage	AC 120v
Light Source	10 watt LED A19 E26 Bulb (Sold Separately)
Warranty	5 year normal operation
Mounting	Ceiling or wall mount. Knock-outs on both ends for continuous runs. Includes all necessary hardware.



Easy Installation



Suggested Lamp



LED010 • 30K • >80 CRI
LED012 • 40K • >80 CRI

Part	Wattage	Lumens	CRI	Kelvin	Dimensions
DC5138	20w (2x 10w)	1,400lm	>80	30K, 40K	4.5"W x 10"H x 2.5"Ext.

Ordering Example:

DC5138-WH-20W-30K

Prefix	Finish	Wattage	Kelvin/CCT	Options
DC5138	WH = White BK = Black	20W = 2x 10 watt LED A19	30K - 3000° Kelvin 40K - 4000° Kelvin	PC = Photocell



LED Utility

LED Super-Slim Under Cabinet Puck Light



Applications

Ideal for apartments, motels, and condos. Perfect for kitchens, utility rooms, closets, schools, garages, and offices.

Specification Features

UL or ETL Listing	ETL, Damp Locations
Dimensions	2.5"W x 0.25"H
Housing	Die Cast Aluminum
Lens/Diffuser	Polycarbonate
Voltage	DC 12v
Light Source	Integrated LED
Wattage	3w, 9w, 12w
Lumens	240, 700, 960
CRI	80
Kelvin	30K, 40K
Dimmable	0-10v
Warranty	5 year normal operation
Mounting	Surface Mount. All necessary hardware included.



DCPK8001	Single Light Only
DCPK8003	3 Light Kit with DCPKIT001
DCPK8004	4 Light Kit with DCPKIT001

Available in packs of 1, 3, or 4 disk lights.



DCPKIT001 = 1 DC Adapter and 1 Power Supply.
Dimmable and linkable up to 6 units.

Part	Wattage	Lumens	CRI	Dimensions
DCPK8001	3w (1x 3w Disk)	240lm	80	2.5"W x 0.25"H
DCPK8003	9w (3x 3w Disks)	720lm	80	2.5"W x 0.25"H
DCPK8004	12w (4x 3w Disks)	960lm	80	2.5"W x 0.25"H

Ordering Example:

DCPK8001-3W-30K-BK

Prefix	Wattage	Kelvin/CCT	Finish	Options
DCPK8001	3W = 3 watts	30K = 3000 ° Kelvin	WH = White	
DCPK8003	9W = 9 watts	40K = 4000 ° Kelvin	BK = Black	
DCPK8004	12W = 12 watts			



LED Utility

LED Color/Kelvin Selectable Under Cabinet Light



Applications

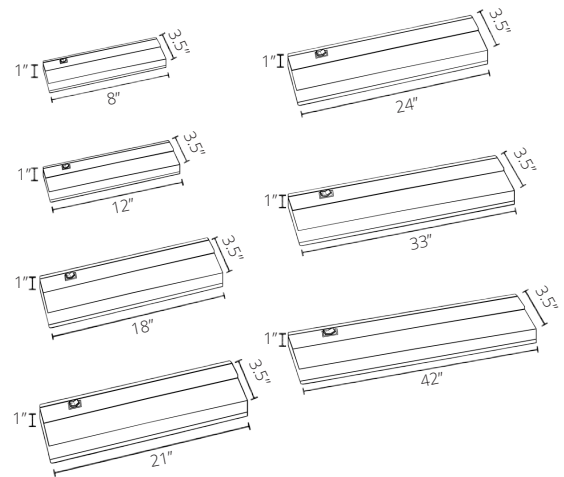
Self contained task light for under cabinets, work stations, over cabinet accent light, display cases and exhibits, merchandising, indirect accent, wall units, and bars.

Specification Features

UL or ETL Listing	CE, UL, cUL listed
Housing	Heavy Duty Steel
Lens/Diffuser	Injection molded white ribbed acrylic
Voltage	AC 120v
Light Source	Integrated LED
CRI	>80
Kelvin	Color/Kelvin Selectable Fixture 30k & 40k
Warranty	5 year normal operation
Mounting	Hardwire connections for ceiling or wall. Suitable for non-insulated surfaces. Side and rear knock-outs. Linkable design for multiple units.
Features	Easy access on/off switch, side and rear knock-outs.



Part	Wattage	Lumens	Kelvin	Length
DCUL8	4w	350lm	30K, 40K	8"
DCUL12	7.5w	560lm	30K, 40K	12"
DCUL18	6.5w	500lm	30K, 40K	18"
DCUL21	6.8w	600lm	30K, 40K	21"
DCUL24	7.8w	680lm	30K, 40K	24"
DCUL33	10.75w	850lm	30K, 40K	33"
DCUL42	13.45w	1150lm	30K, 40K	42"



Ordering Example:

DCUL12-7.5W-CCT-WH



Prefix	Kelvin/CCT	Finish
DCUL8-4W	DCUL24-7.8W	CCT = Selectable CCT (30K, 40K)
DCUL12-7.5W	DCUL33-10.75W	WH = White
DCUL18-6.5W	DCUL42-13.45W	
DCUL21-6.8W		

LED Utility

LED Strip Light



Applications

Ideal for apartments, motels, and condos. Perfect for kitchens, utility rooms, closets, schools, garages, and offices. General purpose lighting in retail stores and commercial environments.

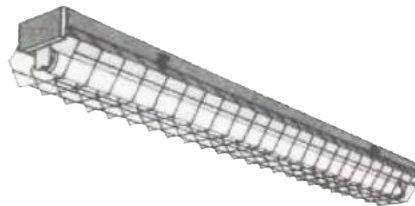
Specification Features

UL or ETL Listing	Wet Locations
Housing	Die formed heavy gauge steel
Voltage	120v-277v
Light Source	LED T8 tube (sold separately)
CRI	>80
Kelvin	30K, 40K, 50K
EM Back-up	90 Minutes minimum operation
Warranty	5 year normal operation
Mounting	Units may be surface or pendant mounted, individually or in a continuous row. For continuous back-to-back socket mounting; insert combination end couplers into ends of adjoining units to act as a sleeve coupling and to permit use of housing as a continuous wireway.



Optional Wire Guard

DCWG-2	2 Foot
DCWG-4	4 Foot



Suggested Lamp



Part	Wattage	Lumens	Kelvin	Dimensions
DCUL825	18W (2x 9W)	1,800lm	30K 40K 50K	4.75"W x 3.25"H x 24.25"L
DCUL826	36W (2x 18W)	3,600lm	30K 40K 50K	4.75"W x 3.25"H x 48"L

Ordering Example:

DCUL825-18W-30K-WH-DCWG-2



Prefix	Wattage	Kelvin/CCT	Finish	Options
DCUL825	18W = 2x 9 watt LED T8 Tubes	30K = 3000° Kelvin	WH = White	EM = Emergency Back-up
DCUL826	36W = 2x 18 watt LED T8 Tubes	40K = 4000° Kelvin 50K = 5000° Kelvin		DCWG-2 = Wire Guard for 2 ft. DCWG-4 = Wire Guard for 4 ft. MS = Microwave Sensor

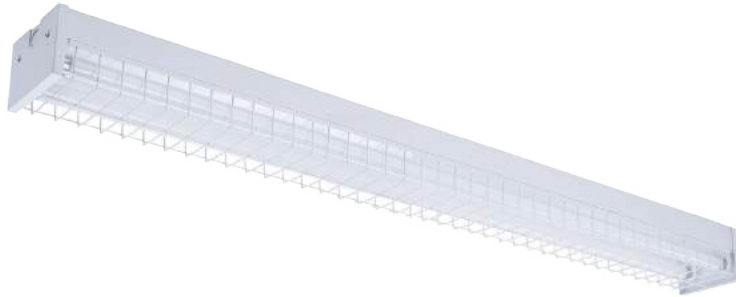
LED Utility

LED Stairwell Light



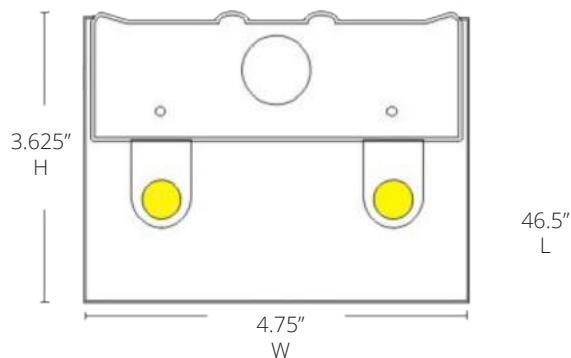
Applications

Ideal for apartments, motels, and condos. Perfect for kitchens, utility rooms, closets, schools, garages, and offices.



Specification Features

UL or ETL Listing	Damp Locations
Housing	Heavy gauge cold rolled steel
Ends	Solid Steel End Caps / Wire Guard
Voltage	120v-277v
Light Source	2x 18W LED T8 Tubes
CRI	80
Kelvin	30K, 40K, 50K
Warranty	5 year normal operation
Mounting	Surface or Suspension Mount.



Suggested Lamp



LEDT801 • 30K • 80 CRI
 LEDT804 • 40K • 80 CRI
 LEDT805 • 50K • 80 CRI

Part	Wattage	Lumens	Kelvin	Dimensions
DCUL806	36W (2x 18W)	3,600lm	30K 40K 50K	4.75"W x 3.625"H x 46.5"L

Ordering Example:
 DCUL806-36W-30K-WH-EM



Prefix	Wattage	Kelvin/CCT	Finish	Options
DCUL806	36W = 2x 18 watt LED T8 Tubes	30K = 3000° Kelvin 40K = 4000° Kelvin 50K = 5000° Kelvin	WH = White	EM = Emergency Back-up MS = Microwave Sensor

LED Utility

LED Designer Strip

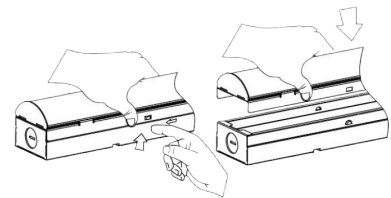
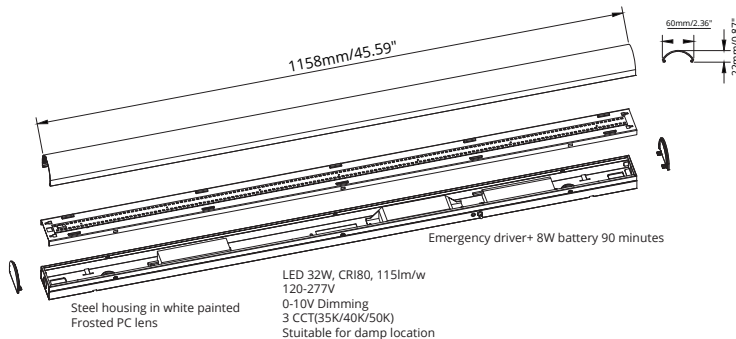
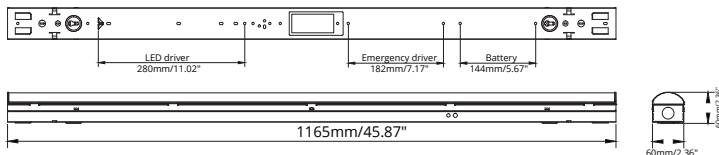


Applications

Ideal for apartments, motels, and condos. Perfect for kitchens, utility rooms, closets, schools, garages, and offices.

Specification Features

UL or ETL Listing	Damp Locations
Housing	Heavy gauge cold rolled steel
Lens/Diffuser	Extruded Opal Polycarbonate
Voltage	120v - 277v
Light Source	Integrated LED
CRI	80
Kelvin	Color/Kelvin Selectable Fixture 35K, 40K, 50K
EM Back-Up	90 minute minimum operation
Dimmable	0-10v
Warranty	5 year normal operation
Mounting	Surface or Suspension Mount.



Easy Open Access

Part	Wattage	Lumens	CRI	Dimensions
DCUL810	20W	2,300lm	80	23.5"L x 2.375"W x 2.375"H
DCUL812	32W	3,680lm	80	45.875"L x 2.375"W x 2.375"H
DCUL814	60W	6,900lm	80	91.625"L x 2.375"W x 2.375"H

Ordering Example:

DCUL810-20W-CCT-WH-MS

Prefix	Wattage	Kelvin/CCT	Finish	Options
DCUL810	20W = 20 watt Integrated LED	CCT = CCT Selectable (35K, 40K, 50K)	WH = White	MS = Microwave Sensor
DCUL812	32W = 32 watt Integrated LED			DMS Dimming Microwave Sensor
DCUL814	60W = 60 watt Integrated LED			SB = Sensor Box
				EM = 8W Emergency Back-up



LED Utility

LED Economy Wrap



Applications

Ideal for apartments, motels, and condos. Perfect for kitchens, utility rooms, closets, schools, garages, and offices.

Specification Features

UL or ETL Listing	ETL - Damp Locations
Housing	Heavy gauge cold rolled steel
Ends	Robust End Caps
Lens/Diffuser	Extruded Opal Polycarbonate
Voltage	120v - 277v
Light Source	Integrated LED
CRI	80
Kelvin	30K, 35K, 40K
Dimmable	0-10v
Warranty	5 year normal operation
Mounting	Surface or Suspension Mount.



Part	Wattage	Lumens	CRI	Dimensions
DCUL804	25W	3,000lm	80	4.75"W x 2"H x 23.5"L
DCUL805	40W	4,800lm	80	4.75"W x 2"H x 46.5"L

Ordering Example:

DCUL804-25W-30K-WH



Prefix	Wattage	Kelvin/CCT	Finish	Options
DCUL804	25W = 25 watt Integrated LED	30K = 3000° Kelvin	WH = White	
DCUL805	40W = 40 watt Integrated LED	35K = 3500° Kelvin		
		40K = 4000° Kelvin		

LED Utility

Builder Model Wrap



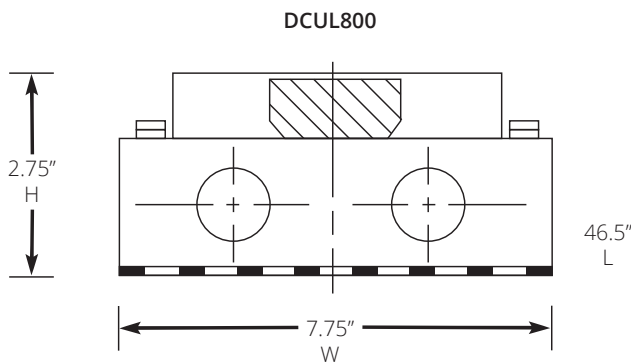
Applications

Ideal for apartments, motels, and condos. Perfect for kitchens, utility rooms, closets, schools, garages, and offices.



Specification Features

UL or ETL Listing	ETL - Damp Locations
Housing	Heavy gauge cold rolled steel
Ends	Injection solid polycarbonate end caps
Lens/Diffuser	Frosted Prismatic Acrylic
Voltage	120v
Light Source	LED T8 (sold separately)
CRI	80
Kelvin	30K, 40K, 50K
EM Back-up	90 Minutes minimum operation
Warranty	5 year normal operation
Mounting	Surface or Suspension Mount.



Suggested Lamp



LEDT801 • 30K • 80 CRI
 LEDT804 • 40K • 80 CRI
 LEDT805 • 50K • 80 CRI

Part	Wattage	Lumens	Kelvin	Dimensions
DCUL800	36W (2x 18W)	3,600lm	30K, 40K, 50K	7.25"W x 2.75"H x 46.5"L
DCUL801	72W (4x 18W)	7,200lm	30K, 40K, 50K	13"W x 2.75"H x 48"L

Ordering Example:

DCUL800-36W-CCT-WH-EM

Prefix	Wattage	Kelvin/CCT	Finish	Options
DCUL800	36W = 2x 18 watt LED T8 Tubes	30K = 3000° Kelvin	WH = White	EM = Emergency Back-up
DCUL801	72W = 4x 18 watt LED T8 Tubes	40K = 4000° Kelvin 50K = 5000° Kelvin		MS = Microwave Sensor



LED Utility

LED Stairwell Light



Applications

Versatile utility LED light. Ideal for stairwells, hallways, corridors, closets, and pathways.

Surface Mount Utility Light

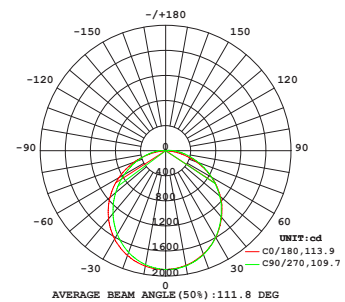
- Selectable Light Color Temperature
- Motion Sensor
- Emergency Battery Back-up



Specification Features

UL or ETL Listing	Damp Locations
Housing	Injection Solid Polycarbonate
Lens/Diffuser	Opal Polycarbonate
Voltage	120v-277v
Light Source	Integrated LED
CRI	>80
Kelvin	Selectable CCT (30K, 40K, 50K)
Dimming	0-10V
EM Back-up	90 Minutes minimum operation
Features	Motion Sensor (included), EM Battery Back-up (optional)
Warranty	5 year normal operation
Mounting	Surface or Suspension Mount.

LUMINOUS INTENSITY DISTRIBUTION DIAGRAM



Part	Wattage	Lumens	EM Lumens	Kelvin	Dimensions
DCUL848	48W	(30K) 5,500lm (40K) 5,800lm (50K) 5,600lm	(30K) 1,650lm (40K) 1,740lm (50K) 1,680lm	30K 40K 50K	7"W x 3.13"H x 47.75"L

Ordering Example:

DCUL848-48W-CCT-WH-EM

Prefix	Wattage	Kelvin/CCT	Finish	Options
DCUL848	48W = 48 watt Integrated LED	CCT = Selectable CCT (30K, 40K, 50K)	WH = White	EM = Emergency Back-up



LED Utility

LED Puff Linear

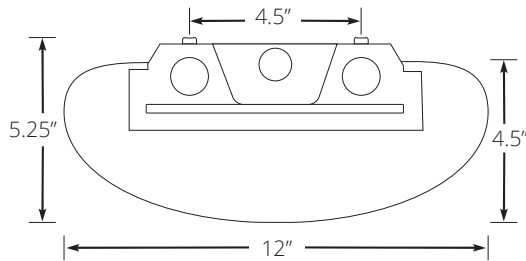


Applications

Ideal for apartments, motels, and condos. Perfect for kitchens, utility, closets, schools, garages, and offices. You see the light, not the fixture.

Specification Features

UL or ETL Listing	Damp Locations
Housing	Die formed heavy gauge steel
Ends	Design embossed ends are locked and secured to the housing
Lens/Diffuser	Dur-illum 2200™ Co-polyester. Indestructible lens.
Voltage	120v - 277v
Light Source	2x LED T8 Tube (sold separately)
CRI	>80
Kelvin	30K, 40K, 50K
EM Back-up	90 minute minimum operation
Warranty	5 year normal operation
Mounting	Ceiling. Suitable for individual or continuous run installations. May be surface mounted or suspended on stems/rods.



Suggested Lamp



LEDT801 • 30K • 80 CRI
LEDT804 • 40K • 80 CRI
LEDT805 • 50K • 80 CRI

Part	Wattage	Lumens	CRI	Dimensions
DCUL820	36W (2x 18W)	3,000lm	80	4.75"W x 2"H x 23.5"L

Ordering Example:
DCUL820-36W-30K-WH-EM



Prefix	Wattage	Kelvin/CCT	Finish	Options
DCUL820	36W = 2x 18W LED T8 Tubes	30K = 3000° Kelvin 40K = 4000° Kelvin 50K = 5000° Kelvin	WH = White	EM = Emergency Back-up

LED Utility

LED Stairwell Light



Applications

Versatile utility LED light. Ideal for stairwells, hallways, corridors, closets, and pathways.



Specification Features

UL or ETL Listing	Damp Locations
Housing	Robust aluminum housing and gear tray
Ends	Injection Solid Polycarbonate
Lens/Diffuser	Opal Polycarbonate
Voltage	120v-277v
Light Source	Integrated LED
CRI	80
Kelvin	30K, 35K, 40K, 50K
EM Back-up	8W · 90 Minutes minimum operation
Warranty	5 year normal operation
Mounting	Surface or Suspension Mount.

Part	Wattage	Lumens	Kelvin	Dimensions
DCUL844	15W	2,025lm	30K, 35K, 40K, 50K	4"W x 3.25"H x 24.25"L
DCUL846	32W	4,320lm	30K, 35K, 40K, 50K	4"W x 3.25"H x 48"L

Ordering Example:

DCUL846-32W-30K-WH-MS



Prefix	Wattage	Kelvin/CCT	Finish	Options
DCUL844	15W = 15 watt Integrated LED	30K = 3000° Kelvin	WH = White	MS = Microwave Sensor
DCUL846	32W = 32 watt Integrated LED	35K = 3500° Kelvin		DMS Dimming Microwave Sensor
		40K = 4000° Kelvin		EM = Emergency Back-up
		50K = 5000° Kelvin		

LED Utility

LED Enclosed & Gasketed, Vapor-Tight Utility Light



Applications

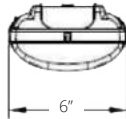
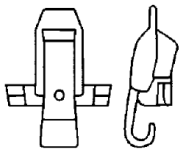
Ideal for apartments, motels, and condos. Perfect for kitchens, utility, closets, schools, garages, and offices.



Specification Features

UL or ETL Listing	Wet Locations
Housing	Weather resistant & corrosion free polycarbonate
Lens/Diffuser	Diffuser clamps to housing with 6 trouble free molded latches
Voltage	120v - 277v
Light Source	Integrated LED
CRI	80
Kelvin	30K, 40K
Dimmable	0-10v
Warranty	5 year normal operation
Mounting	Surface Mount. All necessary hardware included.

Standard Latches



Part	Wattage	Lumens	CRI	Dimensions
DCUL839	20W	2,200lm	80	6"W x 4.25"H x 25"L
DCUL840	42W	4,400lm	80	6"W x 4.25"H x 49.25"L

Ordering Example:
DCUL840-42W-30K-WH-EM

Prefix	Wattage	Kelvin/CCT	Finish	Options
DCUL839	20W = 20 watt Integrated LED	30K = 3000° Kelvin	WH = White	MS = Microwave Sensor
DCUL840	42W = 42 watt Integrated LED	40K = 4000° Kelvin		DMS Dimming Microwave Sensor EM = Emergency Back-up



LED Utility

LED Enclosed & Gasketed, Vapor-Tight Utility Light



DCUL838



DCUL842

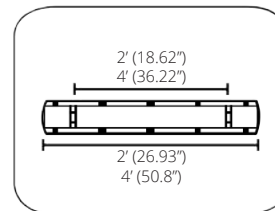
Applications

Ideal for parking garages, cold storage facilities, food processing facilities, dusty or wet environments, stairwells, indoor equestrian facilities, canopies, and workshops.

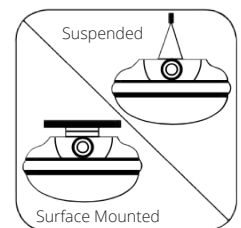
Specification Features

UL or ETL Listing	CE, UL, cUL listed
Listing	Wet Locations (IP65)
Housing	Weather resistant & corrosion free polycarbonate
Lens/Diffuser	
Voltage	120v - 277v
Light Source	Integrated LED
CRI	>80
Kelvin	Selectable CCT (30K, 40K, 50K)
Dimmable	0-10v
Ambient Temp.	Suitable for 30°C temperatures.
Warranty	5 year normal operation
Mounting	Surface or Suspended Mount.

Dimensions



Installation



Part	Wattage	EM Wattage	Lumens	EM Lumens	Dimensions
DCUL838	25W 40W	10W 16W	3,250lm 5,200lm	1,300lm 2,080lm	6.75"W x 3.88"H x 26.88"L
DCUL842	40W 60W 75W	16W 24W 30W	5,200lm 7,072lm 9,750lm	5,200lm 2,828lm 3,900lm	6.75"W x 3.88"H x 50.75"L

Ordering Example:

DCUL12-7.5W-30K-WH-MS

Prefix	Wattage	Kelvin/CCT	Finish	Options
DCUL838	25W = 25 watt Integrated LED	CCT = Selectable CCT	WH = White	MS = Microwave Sensor
DCUL842	40W = 40 watt Integrated LED	(30K, 40K, 50K)		DMS Dimming Microwave Sensor
	60W = 60 watt Integrated LED			EM = Emergency Back-up
	75W = 75 watt integrated LED			



LED Utility

LED Bed Light



Applications

The bed light's design and functionality fits the needs of both patient rooms and assisted living environments. The smooth shape reduces its visual impact on the wall while simplifying the cleaning routine.

Specification Features

UL or ETL Listing	Damp Locations
Housing	Baked white enamel on all metal parts
Voltage	120v-277v
Light Source	4x LED T8 tubes (sold separately)
CRI	>80
Kelvin	30K, 40K, 50K
Warranty	2 year normal operation
Mounting	Horizontal wall mount only. Power connections can be made in the fixture wiring channel or in a standard J box (not included)



Four position, 3 circuit pull switch (on up, on down, on both, all off) are standard and located toward the right side.

LED nightlight and on/off pull switch is included.



Suggested Lamp



LEDT801 • 30K • 80 CRI
LEDT804 • 40K • 80 CRI
LEDT805 • 50K • 80 CRI

Part	Wattage	Lumens	Kelvin	Dimensions
DCUL860	72W (4x 18W)	7,200lm	30K 40K 50K	8.125"W x 5.25"H x 48.6"L

Ordering Example:
DCUL860-72W-30K-WH-PC



Prefix	Wattage	Kelvin/CCT	Finish	Options
DCUL860	72W = 4x 18 watt LED T8 Tubes	30K = 3000° Kelvin 40K = 4000° Kelvin 50K = 5000° Kelvin	WH = White	PC = Pull Chain

LED Utility

Architectural LED Linear



Applications

Architectural linear LED suspension lighting fixtures bring clean lines and clear light to storage rooms, offices, conference rooms, retail reception areas, hallways, and education facilities.

Specification Features

UL or ETL Listing	Damp Locations
Voltage	120v-277v
Light Source	Integrated LED
CRI	>80
Kelvin	30K, 40K, 50K - CCT Selectable
Dimmable	0-10v
Warranty	5 year normal operation
Mounting	Recess mounted. Housing rests on T-Bars with suspension holes available for chain mounting applications



Part	Wattage	Lumens	Kelvin	CRI	Dimensions
DCLL104-25W	25W	2,500lm	30K, 40K, 50K CCT Selectable	>80	3.375"H x 2.75"W x 47.5" L
DCLL104-40W	40W	8,000lm	30K, 40K, 50K CCT Selectable	>80	3.375"H x 2.75"W x 47.5" L
DCLL106-60W	60W	10,900lm	30K, 40K, 50K CCT Selectable	>80	3.375"H x 2.75"W x 70.75" L

Ordering Example:

DCLL104-25W-CCT-WH-SM-DN-EM



Prefix	Wattage	Kelvin/CCT	Finish	Mounting	Light Direction	Options
DCLL104	25W = 25 watt	CCT = Selectable CCT	WH = White	SM = Surface Mount	UP = Up	EM = Emergency Back-up
DCLL106	40W = 40 watt 60W = 60 watt			SC = Suspension Cable WM = Wall Mount RMK = Recessed Mount Kit	DN = Down UD = Up/Down	

LED Utility

LED Recessed Troffer



DCUL855
DCUL857



DCUL854
DCUL856

Applications

Office areas, classrooms, retail stores, and hospitals. Economy grade, recessed, lay-in T-Bar luminaire with framed door. For use in applications where low cost, high quality and ease of installation are required. Shallow design accommodates mounting into low ceiling plenums.

Specification Features

UL or ETL Listing	Damp Locations
Housing	Heavy gauge steel with powder coat finish.
Voltage	120v-277v
Light Source	Integrated LED
CRI	80
Kelvin	30K, 40K, 50K
Dimmable	0-10v
Warranty	5 year normal operation
Mounting	Recess mounted. Housing rests on T-Bars with suspension holes available for chain mounting applications

Part	Wattage	Lumens	Kelvin	Dimensions
DCUL854	25W	3,125lm	30K 40K 50K	23.82"W x 23.62"L x 3.15"H
DCUL855	40W	5,000lm	30K 40K 50K	47.64"W x 23.62"L x 2"H
DCUL856	40W	5,000lm	30K 40K 50K	23.82"W x 23.62"L x 3.15"H
DCUL857	50W	6,250lm	30K 40K 50K	47.64"W x 23.62"L x 2"H

Ordering Example:

DCUL854-25W-30K-WH

Prefix	Wattage	Kelvin/CCT	Finish	Options
DCUL854	25W = 25 watt Integrated LED	30K = 3000° Kelvin	WH = White	
DCUL855	40W = 40 watt Integrated LED	40K = 4000° Kelvin		
DCUL856	50W = 50 watt Integrated LED	50K = 5000° Kelvin		
DCUL857				



LED Utility

LED Linear High Bay



Applications

Compact and economical luminaire utilizing the latest in LED technology. Exceptional lighting in low to high ceiling applications delivering the best luminous performance to warehouse, manufacturing, distribution, industrial, and commercial applications.

Specification Features

UL or ETL Listing	Damp Locations
Housing	Cold Rolled Steel
Voltage	120v-277v
Light Source	Integrated LED
CRI	>80
Kelvin	30K, 35K, 40K, 50K
Dimmable	0-10v
Warranty	5 year normal operation
Mounting	Surface or Suspension Chain mounted



Part	Wattage	Lumens	Kelvin	Dimensions
DCUL724-200W	200W	25,000lm	30K, 35K 40K, 50K	3.375"H x 2.75"W x 47.5" L

Ordering Example:

DCUL724-200W-30K-WH



Prefix	Wattage	Kelvin/CCT	Finish	Options
DCUL724	200W = 200 watt Integrated LED	30K = 3000° Kelvin 35K = 3500° Kelvin 40K = 4000° Kelvin 50K = 5000° Kelvin	WH = White	

LED Utility

Decorative LED Ring Light



Applications

The doughnut ring light has a unique ring style with an LED light source illuminating its full light distribution. The fixture comes in several circle diameter sizes.

Specification Features

UL or ETL Listing	Damp Locations
Voltage	120v-277v
Light Source	Integrated LED
CRI	>80
Kelvin	30K, 40K, 50K
Dimmable	0-10v
Warranty	5 year normal operation
Mounting	Pendant or surface mounted.

Part	Wattage	Lumens	Kelvin	CRI	Dimensions
DCLL175-25W	25W	1,750lm	30K, 40K, 50K	>80	2.36"H x 15.7"W
DCLL175-36W	36W	2,520lm	30K, 40K, 50K	>80	2.36"H x 23.6"W
DCLL175-60W	60W	4,200lm	30K, 40K, 50K	>80	2.36"H x 35.4"W
DCLL175-80W	80W	5,600lm	30K, 40K, 50K	>80	2.36"H x 47.2"W
DCLL175-100W	100W	7,000lm	30K, 40K, 50K	>80	2.36"H x 59"W
DCLL175-120W	120W	8,400lm	30K, 40K, 50K	>80	2.36"H x 70.9"W

Ordering Example:

DCLL175-25W-30K-WH-PM



Prefix	Wattage	Kelvin/CCT	Finish	Mounting	Options
DCLL175	25W = 25 watt 36W = 36 watt 60W = 60 watt 80W = 80 watt	100W = 100 watt 120W = 120 watt	30K = 3000°K 40K = 4000°K 50K = 5000°K	WH = White	PM = Pendant Mount SM = Surface Mount

LED Utility

Architectural LED Moon Light



Applications

Moon Light with classic shape and proportions, widely used for general lighting applications.



Specification Features

UL or ETL Listing	Damp Locations
Voltage	120v-277v
Light Source	Integrated LED
CRI	>80
Kelvin	30K, 35K, 40K, 50K
Dimmable	0-10v
Warranty	5 year normal operation
Mounting	Pendant or surface mounted.

Part	Wattage	Lumens	Kelvin	CRI	Dimensions
DCLL112-50W	50W	2,550lm	30K, 40K, 50K	>80	3.1"H x 18.9"W
DCLL112-80W	80W	4,250lm	30K, 40K, 50K	>80	3.1"H x 23.6"W
DCLL112-120W	120W	6,120lm	30K, 40K, 50K	>80	3.1"H x 35.4"W
DCLL112-220W	220W	11,220lm	30K, 40K, 50K	>80	3.1"H x 47.2"W

Ordering Example:

DCUL112-50W-30K-WH



Prefix	Wattage	Kelvin/CCT	Finish	Mounting	Options
DCUL112	50W = 50 watt Integrated LED 80W = 80 watt Integrated LED 120W = 120 watt Integrated LED 220W = 220 watt integrated LED	30K = 3000° Kelvin 40K = 4000° Kelvin 50K = 5000° Kelvin	WH = White BK = Black SI = Silver	PM = Pendant Mount SM = Surface Mount	

LED Utility

Decorative LED Ring Light



Applications

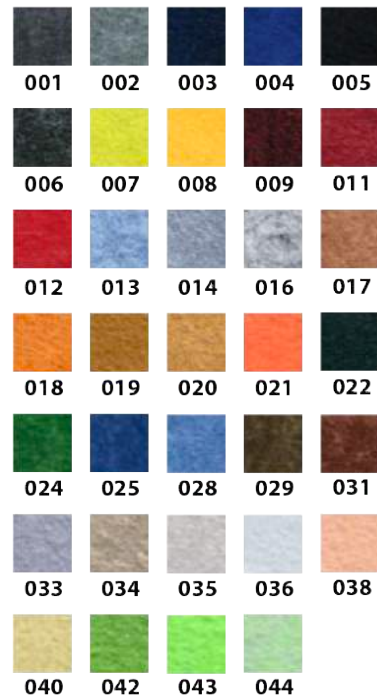
The doughnut ring light has a unique ring style light with an LED light source illuminating its full light distribution. It is available in several sizes and diffuser colors.

Specification Features

UL or ETL Listing	Damp Locations
Voltage	120v-277v
Light Source	Integrated LED
CRI	>80
Kelvin	30K, 40K, 50K
Dimmable	0-10v
Warranty	5 year normal operation
Mounting	Pendant or surface mounted.



Optional acoustic felt for sound dampening in offices and large open spaces. Available in 34 unique colors upon request.



Part	Wattage	Lumens	Kelvin	CRI	Dimensions
DCLL201-15W	15W	1050lm	30K, 40K, 50K	>80	3.5"H x 14.2"W
DCLL201-25W	25W	1750lm	30K, 40K, 50K	>80	3.5"H x 17.7"W
DCLL201-36W	36W	2520lm	30K, 40K, 50K	>80	3.5"H x 23.6"W
DCLL201-50W	50W	3500lm	30K, 40K, 50K	>80	3.5"H x 31.5"W

Ordering Example:

DCLL201-25W-30K-WH-PM-AF008

Prefix	Wattage	Kelvin/CCT	Finish	Mounting	Options
DCLL201	15W = 15 watt 25W = 25 watt 36W = 36 watt 50W = 50 watt	30K = 3000°K 40K = 4000°K 50K = 5000°K	WH = White BK = Black SI = Silver	PM = Pendant Mount SM = Surface Mount	AF = Acoustic Felt



LED Utility

Architectural LED Moon Light



Applications

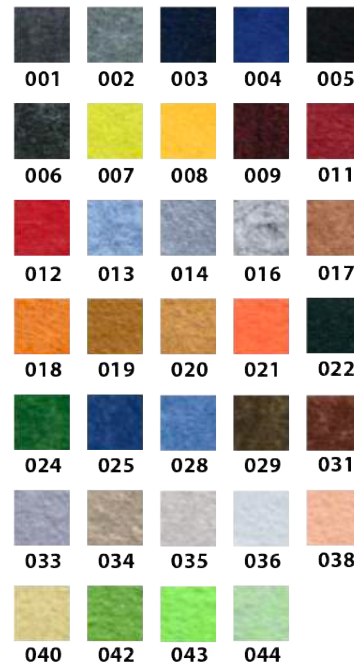
Moon Light with a classic shape and proportions, widely used for general lighting applications.

Specification Features

UL or ETL Listing	Damp Locations
Voltage	120v-277v
Light Source	Integrated LED
CRI	>80
Kelvin	30K, 35K, 40K, 50K
Dimmable	0-10v
Warranty	5 year normal operation
Mounting	Pendant or surface mounted.



Optional acoustic felt for sound dampening in offices and large open spaces. Available in 34 unique colors upon request.



Part	Wattage	Lumens	Kelvin	CRI	Dimensions
DCLL202-15W	15W	1050lm	30K, 40K, 50K	>80	3.5"H x 14.2"W
DCLL202-25W	25W	1750lm	30K, 40K, 50K	>80	3.5"H x 17.7"W
DCLL202-36W	36W	2520lm	30K, 40K, 50K	>80	3.5"H x 23.6"W
DCLL202-50W	50W	3500lm	30K, 40K, 50K	>80	3.5"H x 31.5"W

Ordering Example:

DCLL202-25W-30K-WH-PM-AF008

Prefix	Wattage	Kelvin/CCT	Finish	Mounting	Options
DCLL202	15W = 15 watt 25W = 25 watt 36W = 36 watt 50W = 50 watt	30K = 3000 °K 40K = 4000 °K 50K = 5000 °K	WH = White BK = Black SI = Silver	PM = Pendant Mount SM = Surface Mount	AF = Acoustic Felt



LED Area Lights

Medium/Large Wall Pack



Applications

Ideal for entrances, parking areas, building perimeter, walkways, underpasses, loading docks, recreation areas, and more.

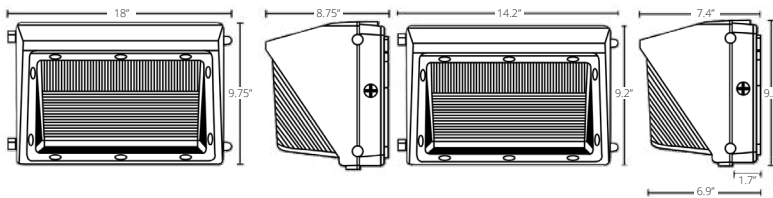


Specification Features

UL or ETL Listing	Wet Locations (IP65). Approved UL1598
DLC	4.1 listed. DLC Premium
Housing	Heavy Duty Die Cast Aluminum
Photo-control	Optional, easy field install
Lens/Diffuser	Tempered glass diffuser. Dust-proof, insect, heat, and impact resistant
Voltage	120v-277v
Light Source	Integrated LED
Light Distribution	Type III
CRI	>Ra-75+
Kelvin	30K, 40K, 50K
Ambient Temp.	Suitable for 40° temperatures
Cold Weather	Cold weather starting -40° C to +54° C (-40° F to +130° F)
EM Back-Up	90 minutes minimum operation
Warranty	5 year normal operation
Mounting	Mounts directly to standard 4" J box or directly to wall

Large Wall Pack
DCWP935

Medium Wall Pack
DCWP916



Part	Wattage	Lumens	Kelvin	CRI	Dimensions
DCWP916-45W	45w	5,200lm	50K	>75	9.2"H x 14.2"W x 7.4" Ext.
DCWP916-70W	70w	8,000lm	50K	>75	9.2"H x 14.2"W x 7.4" Ext.
DCWP935-90W	90w	10,900lm	50K	80	9.75"H x 18"W x 8.75" Ext.
DCWP935-135W	135w	15,600lm	50K	80	9.75"H x 18"W x 8.75" Ext.

Ordering Example:
DCWP916-45W-50KDB--AT120

Prefix	Kelvin/CCT	Finish	Options
DCWP916-45W	30K = 3000° Kelvin	DB = Dark Bronze	AT120 = Photocontrol (120-277vac)
DCWP916-70W	40K = 4000° Kelvin		EM = Emergency Back-up
DCWP935-90W	50K = 5000° Kelvin		
DCWP935-135W			



LED Area Lights

LED Slim Wall Pack



Applications

Ideal for apartments, motels, and condos. Perfect for kitchens, utility, closets, schools, garages, and offices.

Specification Features

UL or ETL Listing	Wet Locations
Housing	Weather resistant & corrosion free polycarbonate
Lens/Diffuser	Diffuser clamps to housing with 6 trouble free molded latches
Voltage	120v - 277v
Light Source	Integrated LED
CRI	80
Kelvin	30K, 40K, 50K
Dimmable	0-10v
Warranty	5 year normal operation
Mounting	Surface Mount. All necessary hardware included.

Part	Wattage	Lumens	CRI	Dimensions
DCWP940-15W	15W	1,000lm	>75	7.75"H x 6.5"W x 4.25" Ext.
DCWP940-20W	20W	2,000lm	>75	7.75"H x 6.5"W x 4.25" Ext.
DCWP940-30W	30W	3,000lm	>75	7.75"H x 6.5"W x 4.25" Ext.
DCWP940-40W	40W	4,500lm	>75	7.75"H x 6.5"W x 4.25" Ext.
DCWP942-70W	70W	7,500lm	>75	9.5"H x 11.25"W x 5.75" Ext.
DCWP942-90W	90W	9,700lm	>75	9.5"H x 11.25"W x 5.75" Ext.



Ordering Example:

DCWP940-20W-50K-DB-AT120

Prefix	Kelvin/CCT	Finish	Options
DCWP940-15W	30K = 3000° Kelvin	DB = Dark Bronze	AT120 = Photocontrol (120-277vac)
DCWP940-20W	40K = 4000° Kelvin		
DCWP940-30W	50K = 5000° Kelvin		
DCWP940-40W			
DCWP942-70W			
DCWP942-90W			

LED Area Lights

LED Dark Sky Wall Pack



Applications

Ideal for parking garages, cold storage facilities, food processing facilities, dusty or wet environments, stairwells, indoor equestrian facilities, canopies, and workshops.

Specification Features

UL or ETL Listing	Suitable for Wet Locations. IP65 optics and housing. Approved UL1598
DLC	4.1 listed. DLC Premium
Housing	Heavy duty die-cast aluminum
Lens/Diffuser	Tempered glass diffuser is dust-proof, insect, heat and impact resistant.
Driver Current	150mA
Voltage	120v - 277v
Power Factor	>0.95 / >0.89
Light Distribution	Tye III
LED	Long Lasting 50,000 hr. rated
CRI	>Ra-75+
Kelvin	50K standard
Ambient Temp.	Suitable for 40°C temperatures.
Cold Weather	Cold Weather Starting -40°C / +54°C (-40°F to +130°F)
Warranty	1 year normal operation
Mounting	Mounts to standard 4" J-Box or directly to the wall.
EM Back-up	Minimum 90 minutes. Field install.
Photocontrol	Sold Separately, Easy Field Install



Part	Wattage	Lumens	CRI	Dimensions
DCWP918-45W	45W	4,900lm	75+	14"W x 5"H x 8.2"Ext.
DCWP918-70W	70W	7,350lm	75+	14"W x 5"H x 8.2"Ext.
DCWP918-90W	90W	9,500lm	75+	14"W x 5"H x 8.2"Ext.
DCWP918-135W	135W	14,000lm	75+	14"W x 5"H x 8.2"Ext.

Ordering Example:

DCWP918-45W-50K-DB-AT120

Prefix	Wattage	Kelvin/CCT	Finish	Options
DCWP918	40W = 40 watt LED 70W = 70 watt LED 90W = 90 watt LED 135W = 135 watt LED	30K = 3000° Kelvin 40K = 4000° Kelvin 50K = 5000° Kelvin	DB = Dark Bronze	AT120 = Photo-control EM = Emergency Back-up



LED Area Lights

LED Flood Light



Applications

Ideal for building facade lighting, sports fields, landscape lighting, uplighting for signs/displays, and many other general applications where flood lighting may be useful.

Specification Features

UL or ETL Listing	Suitable for Wet Locations and Ground Mounting
DLC	Approved. UL1598, UL8750
Housing	Heavy duty die-cast aluminum
Lens/Diffuser	Tempered, impact-resistant glass
LED Chip	Cree CXA Series. LM 80 Certified.
Voltage	120v - 277v
Power Factor	>0.98
LED Driver	High Lumen Output
CRI	70+
Kelvin	50K standard
Ambient Temp.	Suitable for 40°C temperatures.
Cold Weather	Cold Weather Starting -40°C (-40°F)
Warranty	5 years normal operation
Mounting	Mounts to standard 4" J-Box or directly to the wall.
EM Back-up	Minimum 90 minutes. Field install.
Photocontrol	Sold Separately, Easy Field Install



Knuckle Mount
(included)



EP902SMB
Small Mounting Yoke



PS
Pole Slip-fitter

Part	Wattage	Lumens	CRI	Dimensions
DCFL900-35W	35W	3,600lm	70+	9.5"W x 11"H x 5.5"Ext.
DCFL900-45W	45W	5,600lm	70+	9.5"W x 11"H x 5.5"Ext.
DCFL900-65W	65W	7,100lm	70+	9.5"W x 11"H x 5.5"Ext.

Ordering Example:

DCFL900-45W-50K-DB-ASM

Prefix	Wattage	Kelvin/CCT	Finish	Options
DCFL900	35W 45W 65W	50K = 5000° Kelvin	DB = Dark Bronze	AT120 = Photocontrol (120-277vac) EP902SMB = Small Mounting Yoke PS = Pole Slip Fitter



LED Area Lights

LED Flood Light



Applications

Ideal for building facade lighting, sports fields, landscape lighting, uplighting for signs/displays, and many other general applications where flood lighting may be useful.

Specification Features

UL or ETL Listing	Suitable for Wet Locations and Ground Mounting
DLC	Approved. UL1598, UL8750
Housing	Heavy duty die-cast aluminum
Lens/Diffuser	Tempered, impact-resistant glass
LED Chip	Cree CXA Series. LM 80 Certified.
Voltage	120v - 277v
Power Factor	>0.98
LED Driver	High Lumen Output
CRI	70+
Kelvin	50K standard
Ambient Temp.	Suitable for 40°C temperatures.
Cold Weather	Cold Weather Starting -40°C (-40°F)
Warranty	5 years normal operation
Mounting	Mounts to standard 4" J-Box or directly to the wall.
Photocontrol	Sold Separately, Easy Field Install



Knuckle Mount
(included)



EP902SMB
Small Mounting Yoke



PS
Pole Slip-fitter

Part	Wattage	Lumens	CRI	Dimensions
DCFL930-70W	70W	8,900lm	70+	11"H x 13"W x 5.5" Ext.
DCFL930-90W	90W	11,000lm	70+	11"H x 13"W x 5.5" Ext.
DCFL930-110W	110W	12,500lm	70+	11"H x 13"W x 5.5" Ext.

Ordering Example:

DCFL930-70W-50K-DB-AT120

Prefix	Wattage	Kelvin/CCT	Finish	Options
DCFL930	70W = 70 watt Integrated LED 90W = 90 watt Integrated LED 110W = 110 watt Integrated LED	50K = 5000° Kelvin	DB = Dark Bronze	AT120 = Photocontrol (120-277vac) EP902SMB = Small Mounting Yoke PS = Pole Slip Fitter



LED Area Lights

LED Flood Light

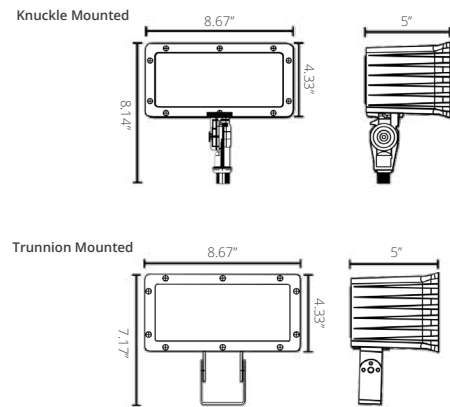


Applications

Ideal for building facade lighting, sports fields, landscape lighting, uplighting for signs/displays, and many other general applications where flood lighting may be useful.

Specification Features

UL or ETL Listing	Suitable for Wet Locations and Ground Mounting
DLC	Listed
Housing	Heavy duty die-cast aluminum
LED Chip	Phillips rated 50,000 hr.
Voltage	120v - 277v
LED Driver	High Lumen Output
Kelvin	50K standard
Ambient Temp.	Suitable for 40°C temperatures.
Cold Weather	Cold Weather Starting -40°C (-40°F)
Warranty	5 years normal operation
Mounting	Knuckle, Trunnion, or Slip-fitter
Photocontrol	Sold Separately, Easy Field Install



Part	Wattage	Lumens	CRI	Dimensions
DCFLFL750-45W	45W	4,950lm	80	4.33"H x 8.67"W x 5"Ext.
DCFL750-70W	70W	6,800lm	80	4.33"H x 8.67"W x 5"Ext.

Ordering Example:

DCFL750-45W-50K-ASM

Prefix	Wattage	Kelvin/CCT	Finish	Options
DCFL750	45W = 45 watt Integrated LED 70W = 70 watt Integrated LED	50K = 5000° Kelvin	DB = Dark Bronze	AT120 = Photocontrol (120-277vac) EP902SMB = Small Mounting Yoke PS = Pole Slip Fitter



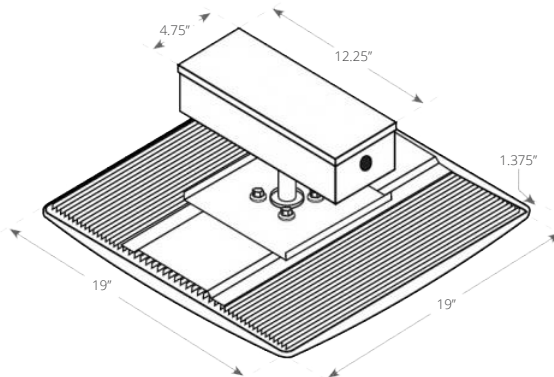
LED Area Lights

LED Gas Station Canopy



Applications

Ideal for gas stations and general lighting applications.



Specification Features

UL or ETL Listing	Wet Locations
DLC	Approved. UL1598, UL8750
Housing	Powder coated die-cast aluminum
Lens/Diffuser	Impact resistant polycarbonate
LED Chip	Phillips Lumileds. High Efficiency
Voltage	120v - 277v
Power Factor	>0.98
CRI	80
Kelvin	50K standard
Cold Weather	Cold Weather Starting -40°C (-40°F)
Warranty	5 years normal operation
Mounting	Pendant Mount
EM Back-up	Minimum 90 minutes. Field install.

Part	Wattage	Lumens	CRI	Dimensions
DCLED600	100W	11,500lm	80	9.25"H x 19"W x 19"L
DCLED602	120W	14,000lm	80	9.25"H x 19"W x 19"L
DCLED604	150W	18,000lm	80	9.25"H x 19"W x 19"L
DCLED606	200W	23,000lm	80	9.25"H x 19"W x 19"L

Ordering Example:

DCLED600-100W-50K-WH-EM

Prefix	Wattage	Kelvin/CCT	Finish	Options
DCLED600-100W	100W = 100 watt LED	50K = 5000° Kelvin	WH = White	EM = Emergency Back-Up
DCLED602-120W	120W = 120 watt LED			
DCLED604-150W	150W = 150 watt LED			
DCLED606-200W	200W = 200 watt LED			



LED Area Lights

LED Square Canopy



Applications

Ideal for security, entryways, perimeter lighting, exterior canopies, stairwells.

Specification Features

UL or ETL Listing	Approved for wet locations, IP54 not intended for use in environments with direct exposure to high pressure water, such as car washes.
DLC	Approved. Wet Location IP65
Housing	Powder coated die-cast aluminum
Lens/Diffuser	Polycarbonate
LED Chip	Lumileds, LED High Efficiency
Voltage	120v - 277v
Power Factor	>0.95
CRI	>70
Kelvin	40K, 50K
Warranty	5 years normal operation
Mounting	Surface Mount (10-20 ft.)
Spacing	4 times mounting height.

Part	Wattage	Lumens	CRI	Dimensions
DCLED510	45W	6,075lm	>70	3.3"H x 10.05"W x 10.05"L
DCLED512	65W	8,775lm	>70	3.3"H x 10.05"W x 10.05"L

Ordering Example:

DCLED510-45W-50K-DB-MS

Prefix	Wattage	Kelvin/CCT	Finish	Options
DCLED510	45W = 45 watt LED	40K = 4000 ° Kelvin	WH = White	MS = Motion Sensor
DCLED512	65W = 65 watt LED	50K = 5000 ° Kelvin	DB = Dark Bronze	



LED Area Lights



LED Garden Bollards

Features

LED technology is ideal for commercial and retail lighting applications because of the many color choices, long life operation, and that LEDs do not emit any harmful UV rays that can fade artwork or fabrics. LEDs offer sparkle to applications with true crisp color temperature ranges to meet any architectural and design needs.

- Exceptional Energy Savings
- Reduced Maintenance and Labor Costs
- Improved Quality of Lighting
- Enclosed Tops Prevent Debris and Moisture from Accumulating Within the Garden Bollard
- All Cast Aluminum Construction
- "Green" Product



Applications

Auto dealerships, multi-family parking lots, assisted living, educational and business campuses, parks & recreation facilities, security areas, malls, and retail stores.

Specification Features

UL or ETL Listing	Wet Locations IP65
Housing	Die cast aluminum, powder coated
Lens/Diffuser	Polycarbonate
Energy Star	Qualified
Lighting Facts	Listed
Voltage	100v/277v
Kelvin	50K standard
Warranty	5 years normal operation
Mounting	Flush Mount. (3) 4" anchor bolts included.



Part	Wattage	Kelvin/CCT	Dimensions	Special Functions
DCGB100	15W / 25W	30K / 40K	39.5"H x 8.875"W	EM = Emergency Back-up
DCGB120	15W / 25W	30K / 40K	39.5"H x 9"W	EM = Emergency Back-up
DCGB122	15W	30K / 40K	39.5"H x 9"W	
DCGB130	15W / 25W	30K / 40K	39.5"H x 6.75"W	EM = Emergency Back-up
DCGB140	30W	30K / 40K	47.125"H x 7"W	
DCGB150	30W	30K / 40K / 50K	47.125"H x 7"W	
DCGB160	MW = Multi-Watt (12W/16W/22W)	CCT Selectable (30K, 40K, 50K)	41.875"H x 6.125"W	
DCGB170	MW = Multi-Watt (12W/16W/22W)	CCT Selectable (30K, 40K, 50K)	41.875"H x 6.125"W	

LED Area Lights

LED Garden Bollards



Applications

Auto dealerships, multi-family parking lots, assisted living, educational and business campuses, parks & recreation facilities, security areas, malls, and retail stores.

Specification Features

UL or ETL Listing	Wet Locations IP65
Housing	Die cast aluminum, powder coated
Lens/Diffuser	Polycarbonate
Energy Star	Qualified
Lighting Facts	Listed
Voltage	100v/277v
Kelvin	30K, 40K
Warranty	5 years normal operation
Mounting	Flush Mount. (3) 4" anchor bolts included.
Dimensions	39.5"H x 9"W

Ordering Example:

DCGB100-25W-30K-BK



Prefix	Wattage	Kelvin/CCT	Finish	Options
DCGB100	15W 25W	30K = 3000° Kelvin 40K = 4000° Kelvin	BK = Black (standard) BZ = Bronze GRY = Grey WH = White	EM = Emergency Back-up

LED Area Lights

LED Garden Bollards



Applications

Auto dealerships, multi-family parking lots, assisted living, educational and business campuses, parks & recreation facilities, security areas, malls, and retail stores.

Specification Features

UL or ETL Listing	Wet Locations IP65
Housing	Die cast aluminum, powder coated
Lens/Diffuser	Polycarbonate
Energy Star	Qualified
Lighting Facts	Listed
Voltage	100v/277v
Kelvin	30K, 40K
Warranty	5 years normal operation
Mounting	Flush Mount. (3) 4" anchor bolts included.
Dimensions	39.5"H x 8.875"W

Ordering Example:

DCGB120-25W-30K-BK



Prefix	Wattage	Kelvin/CCT	Finish	Options
DCGB120	15W 25W	30K = 3000° Kelvin 40K = 4000° Kelvin	BK = Black (standard) BZ = Bronze GRY = Grey WH = White	EM = Emergency Back-up

LED Area Lights

LED Garden Bollards



Applications

Auto dealerships, multi-family parking lots, assisted living, educational and business campuses, parks & recreation facilities, security areas, malls, and retail stores.

Specification Features

UL or ETL Listing	Wet Locations IP65
Housing	Die cast aluminum, powder coated
Lens/Diffuser	Polycarbonate
Energy Star	Qualified
Lighting Facts	Listed
Voltage	100v/277v
Kelvin	30K, 40K
Warranty	5 years normal operation
Mounting	Flush Mount. (3) 4" anchor bolts included.
Dimensions	39.5"H x 5"W

Ordering Example:

DCGB122-15W-30K-BK



Prefix	Wattage	Kelvin/CCT	Finish	Options
DCGB122	15W	30K = 3000° Kelvin 40K = 4000° Kelvin	BK = Black (standard) BZ = Bronze GRY = Grey WH = White	

LED Area Lights

LED Garden Bollards



Applications

Auto dealerships, multi-family parking lots, assisted living, educational and business campuses, parks & recreation facilities, security areas, malls, and retail stores.

Specification Features

UL or ETL Listing	Wet Locations IP65
Housing	Die cast aluminum, powder coated
Lens/Diffuser	Polycarbonate
Energy Star	Qualified
Lighting Facts	Listed
Voltage	100v/277v
Kelvin	30K, 40K
Warranty	5 years normal operation
Mounting	Flush Mount. (3) 4" anchor bolts included.
Dimensions	39.5"H x 6.75"W

Ordering Example:

DCGB130-25W-30K-BK



Prefix	Wattage	Kelvin/CCT	Finish	Options
DCGB130	15W 25W	30K = 3000° Kelvin 40K = 4000° Kelvin	BK = Black (standard) BZ = Bronze GRY = Grey WH = White	EM = Emergency Back-up

LED Area Lights

LED Garden Bollards



Applications

Auto dealerships, multi-family parking lots, assisted living, educational and business campuses, parks & recreation facilities, security areas, malls, and retail stores.

Specification Features

UL or ETL Listing	Wet Locations IP65
Housing	Die cast aluminum, powder coated
Lens/Diffuser	UV stabilized optical grade polymer
DLC	4.1 Listed. DLC Premium
Voltage	100v/277v
Kelvin	30K, 40K
CRI	Ra-70
Warranty	5 years normal operation
Dimensions	47.125"H x 7"W

Ordering Example:

DCGB140-30W-30K-BK



Prefix	Wattage	Kelvin/CCT	Finish	Options
DCGB140	30W	30K = 3000° Kelvin 40K = 4000° Kelvin	BK = Black (standard) BZ = Bronze GRY = Grey WH = White	

LED Area Lights

LED Garden Bollards



Applications

Auto dealerships, multi-family parking lots, assisted living, educational and business campuses, parks & recreation facilities, security areas, malls, and retail stores.

Specification Features

UL or ETL Listing	Wet Locations IP65
Housing	Die cast aluminum, powder coated
Lens/Diffuser	Polycarbonate
Energy Star	Qualified
Lighting Facts	Listed
Voltage	100v/277v
Kelvin	30K, 40K
Warranty	5 years normal operation
Dimensions	47.125"H x 7"W

Ordering Example:

DCGB150-30W-30K-BK



Prefix	Wattage	Kelvin/CCT	Finish	Options
DCGB150	30W	30K = 3000° Kelvin 40K = 4000° Kelvin 50K = 5000° Kelvin	BK = Black (standard) BZ = Bronze GRY = Grey WH = White	

LED Area Lights

LED Garden Bollards



6.125"

Applications

Auto dealerships, multi-family parking lots, assisted living, educational and business campuses, parks & recreation facilities, security areas, malls, and retail stores.

Specification Features

UL or ETL Listing	Wet Location
Housing	Corrosion Resistant Aluminum
Lens/Diffuser	Clear Polycarbonate
Voltage	120V-277V
Wattage	Wattage Selectable (12W,16W,22W)
Kelvin	CCT Selectable (30K, 40K, 50K)
CRI	>80
Warranty	5 years normal operation
Dimensions	41.875"H x 6.125"W

Ordering Example:

DCGB160-MW-CCT-BK



Prefix	Wattage	Kelvin/CCT	Finish	Options
DCGB160	MW = Multi-Watt (12W/16W/22W)	CCT = CCT Selectable (30K, 40K, 50K)	BK = Black (standard) BZ = Bronze GRY = Grey WH = White	

LED Area Lights

LED Garden Bollards



Applications

Auto dealerships, multi-family parking lots, assisted living, educational and business campuses, parks & recreation facilities, security areas, malls, and retail stores.

Specification Features

UL or ETL Listing	Wet Location
Housing	Corrosion Resistant Aluminum
Lens/Diffuser	Clear Polycarbonate
Voltage	120V-277V
Wattage	Wattage Selectable (12W,16W,22W)
Kelvin	CCT Selectable (30K, 40K, 50K)
CRI	>80
Warranty	5 years normal operation
Dimensions	41.875"H x 6.125"W

Ordering Example:

DCGB170-MW-CCT-BK



Prefix	Wattage	Kelvin/CCT	Finish	Options
DCGB170	MW = Multi-Watt (12W/16W/22W)	CCT = CCT Selectable (30K, 40K, 50K)	BK = Black (standard) BZ = Bronze GRY = Grey WH = White	



Pole Wind Ratings

POLES should be selected to suit the application. It is also important to select the pole according to the structural requirement. Effective Projected Area (EPA) ratings are listed against each pole and cover the full range of fixtures with various mounting options. Effective Projected Area (EPA) is the exposed surface area of both the fixture and the bracket with some variation depending on the shape of the surface.

POLE selection should also take into account the wind regions shown on the wind map. Base your Effective Projected Area (EPA) rating of the pole on the wind rating in that area. It is also important to account for the total weight of the fixtures to be mounted on the pole. A maximum fixture weight is listed on the pole section tables. Please add the total weight of all fixtures when selecting your pole.

Follow these easy steps when selecting your pole and fixture:

1. Select a fixture and desired pole height.
2. Determine EPA rating for the selected fixture and mounting method.
3. Find the geographic wind zone for the job site.
4. Ensure that the pole's EPA rating is equal to or greater than the EPA rating for your desired fixture and mount by comparing the fixture/mount EPA rating to the selected pole's rating.

NOTE: When selecting poles for geographic areas with winds or EPAs exceeding our published data, please consult a local civil engineer with the information from our catalog before ordering.

Light Distribution Patterns



The Type I distribution is ideal for narrow walkways or bike paths. It is intended to be located at or near the center of the pathway, approximately two mounting heights in width.



The Type II distribution is ideal for wider walkways, entrance roadways, bike paths, and other long and narrow lighting applications. Intended to be located near the side of a roadway approximately 1.75 mounting heights in width.



The Type III distribution is ideal for roadway, general parking, and other area lighting applications. Intended to be located near the side of the area, approximately 2.75 mounting heights in width.



The Type IV distribution is especially suited for wall mounting applications and for illuminating the perimeter of parking areas. Intended to be located near the side of the area, which is over 2.75 mounting heights in width. It produces a semicircular distribution with essentially the same candlepower at lateral angles from 270° to 0° to 90°.



The Type 5 distribution is ideal for general parking and area lighting applications. Intended to be located at or near the center of an intersection or in a large area since it has no beams, but produces a circular distribution with essentially the same candlepower at all lateral angles.

LED Area Lights

LED Shoebox Replacement



Applications

Auto dealerships, multi-family parking lots, assisted living, educations, business campuses, parks & recreation facilities, security areas, malls, and retail stores.

Specification Features

UL or ETL Listing	Wet Locations IP65. UL approved UL1598
Housing	Die cast aluminum
Lens/Diffuser	UV stabilized optical grade polymer
DLC	4.1 Listed. DLC Premium
Voltage	100v/277v
Kelvin	30K, 40K
CRI	Ra-70
Warranty	5 years normal operation
Dimensions	40W/70W/100W - 9.252"W x 2.5"H x 21.108"L 150W - 12.25"W x 2.5"H x 23.63"L 250W/300W - 12.25"W x 2.5"H x 31.77"L

Light Distribution Type	Watt	Kelvin	Lumens	CRI	Bug Rating
Type 3 	40W	40K	5,400lm	70	B1-U0-G1
	40W	50K	5,500lm	70	B1-U0-G1
	70W	40K	9,500lm	70	B2-U0-G2
	70W	50K	9,600lm	70	B2-U0-G2
	100W	40K	12,000lm	70	B2-U0-G2
	100W	50K	11,100lm	70	B2-U0-G2
	150W	40K	18,000lm	70	B2-U0-G3
	150W	50K	17,300lm	70	B2-U0-G3
	250W	40K	34,000lm	70	B4-U0-G4
	250W	50K	34,500lm	70	B4-U0-G4
	300W	40K	36,000lm	70	B4-U0-G4
	300W	50K	33,600lm	70	B4-U0-G4

Light Distribution Type	Watt	Kelvin	Lumens	CRI	Bug Rating
Type 5 	40W	40K	5,400lm	70	B1-U0-G1
	40W	50K	5,500lm	70	B1-U0-G1
	70W	40K	9,500lm	70	B2-U0-G2
	70W	50K	9,600lm	70	B2-U0-G2
	100W	40K	12,000lm	70	B2-U0-G1
	100W	50K	11,100lm	70	B2-U0-G1
	150W	40K	18,000lm	70	B2-U0-G1
	150W	50K	17,300lm	70	B2-U0-G1
	250W	40K	34,000lm	70	B4-U0-G4
	250W	50K	34,500lm	70	B4-U0-G4
	300W	40K	36,000lm	70	B2-U0-G2
	300W	50K	33,600lm	70	B2-U0-G2

Ordering Example:

DCLEDAL-150W-U-T3-40K-PM-BK-MS

Prefix	Wattage	Kelvin/CCT	Voltage	Optic	Finish	Mounting	Options
DCLEDAL	100W 150W 300W	40K = 4000° Kelvin 50K = 5000° Kelvin	U = 120-277V H = 347-480V	T3 = Type 3 T5 = Type 5	BK = Black BZ = Bronze WH = White	PM = Pole Mount SF = Slipfitter TM = Trunion Mount WM = Wall Mount	AT300 = Photocontrol (120-277v) MS = Motion Sensor (120-277v) HS = House Shield



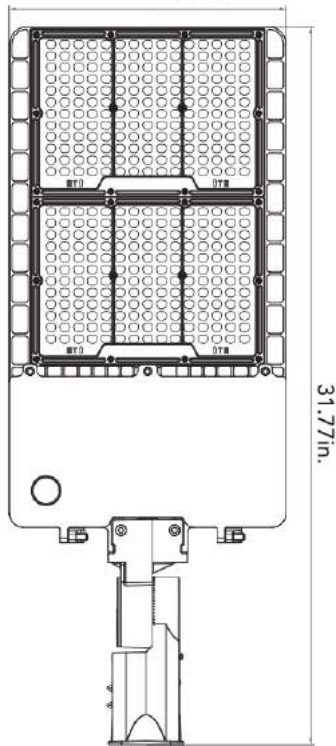
LED Area Lights

LED Shoebox Replacement Options



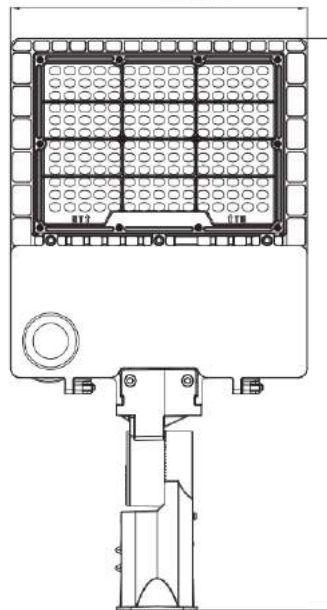
**LEDAL-250W
LEDAL-300W**

12.25in.



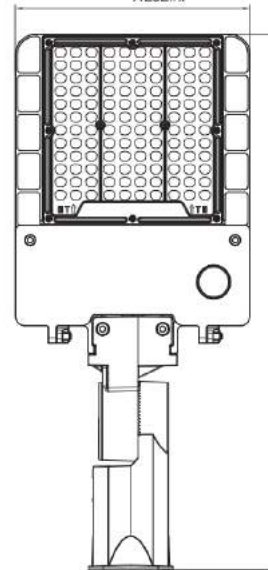
LEDAL-150W

12.25in.



**LEDAL-40W
LEDAL-70W
LEDAL-100W**

9.252in.



Drawings shown with
slipfitter mount

Light Distribution

Type 3



The Type 3 distribution is ideal for roadway, general parking, and other area lighting applications. Intended to be located near the side of the area, approximately 2.75 mounting heights in width.

Type 5



The Type 5 distribution is ideal for general parking and area lighting applications. Intended to be located at or near the center of an intersection or in a large area since it has no beams, but produces a circular distribution with essentially the same candlepower at all lateral angles.



TM
Trunnion Mount



PM
Round or Square Pole Mount



WM
Wall Mount



SF
Slipfitter



**AT300 = Twistlock
Electronic Photocell**
(120/208/240/277VAC)
NEMA 3-pin



MS = Motion Sensor
Line Voltage - 100-277VAC
High/Low/Off
Integrated outdoor
occupancy daylight sensor

LED Area Lights

LED Designer Post Top



Applications

Classic design, the product is simple, modern, and elegant. This elegant design will fit the aesthetic of both modern and traditional buildings. Ideal for single and multi-family communities and commercial installations, motels, and hotels. Perfect for landscape, entrances, perimeter, and pool applications.

Specification Features

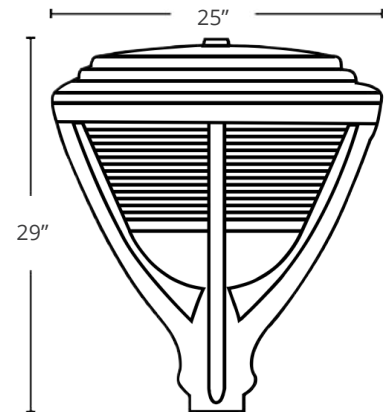
Canopy	Aluminum
Support Staffs	Fiberglass reinforced plastics. Excellent mechanical strength.
Reflector	High Grade Aluminum
UL Listing	Wet Location IP65
Socket	1x E26 Medium Base
Lamp	LED Corn (sold separately)
Mounting	Fits 3" OD pole
Warranty	5 years normal operation
Dimensions	29"H x 25"W

Light Distribution

Type 5



The Type 5 distribution is ideal for general parking and area lighting applications. Intended to be located at or near the center of an intersection or in a large area since it has no beams, but produces a circular distribution with essentially the same candlepower at all lateral angles.



Part	Wattage	Base	Lumens	CRI	Energy Savings
DCPT4118-35W	35W	E26	3,960lm	80	=150w PSMH
DCPT4118-45W	45W	E26	4,950lm	80	=175w PSMH
DCPT4118-54W	54W	E26	5,940lm	80	=250w PSMH



Recommended Lamp

CORN-360

35W - 50K
45W - 50K
54W - 50K

Ordering Example:

DCPT4118-35W-U-50K-DG

Prefix	Wattage	Voltage	Kelvin/CCT	Finish	Options
DCPT4118	35W 45W 54W	U = 120-277V	50K = 5000° Kelvin	DG = Dark Grey	



LED Area Lights

LED Designer Post Top



Applications

Classic design, the product is simple, modern, and elegant. This elegant design will fit the aesthetic of both modern and traditional buildings. Ideal for single and multi-family communities and commercial installations, motels, and hotels. Perfect for landscape, entrances, perimeter, and pool applications.

Specification Features

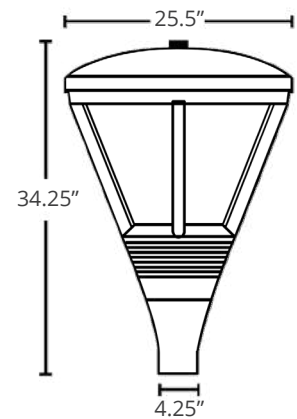
Canopy	Aluminum
Support Staffs	Fiberglass reinforced plastics. Excellent mechanical strength.
Reflector	High Grade Aluminum
UL Listing	Wet Location IP65
Socket	1x E26 Medium Base
Lamp	LED Corn (sold separately)
Mounting	Fits 3" OD pole
Warranty	5 years normal operation
Dimensions	29"H x 25"W

Light Distribution

Type 5



The Type 5 distribution is ideal for general parking and area lighting applications. Intended to be located at or near the center of an intersection or in a large area since it has no beams, but produces a circular distribution with essentially the same candlepower at all lateral angles.



Part	Wattage	Base	Lumens	CRI	Energy Savings
DCPT4130-35W	35W	E26	3,960lm	80	=150w PSMH
DCPT4130-45W	45W	E26	4,950lm	80	=175w PSMH
DCPT4130-54W	54W	E26	5,940lm	80	=250w PSMH



Recommended Lamp

CORN-360

35W - 50K
45W - 50K
54W - 50K

Ordering Example:

DCPT4130-35W-U-50K-DG

Prefix	Wattage	Voltage	Kelvin/CCT	Finish	Options
DCPT4130	35W 45W 54W	U = 120-277V	50K = 5000° Kelvin	DG = Dark Grey	



LED Area Lights

LED Designer Post Top



Applications

Classic design, the product is simple, modern, and elegant. This elegant design will fit the aesthetic of both modern and traditional buildings. Ideal for single and multi-family communities and commercial installations, motels, and hotels. Perfect for landscape, entrances, perimeter, and pool applications.

Specification Features

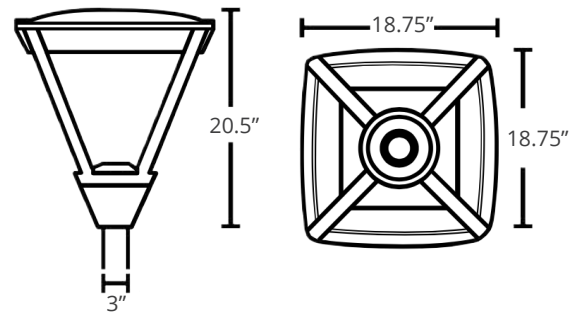
Body	Die cast aluminum
Optical	Anodized PP Plastic Reflector
Lens	Tempered Glass
Gear Plate	Galvanized steel plate
Light Source	Integrated LED
Mounting	Fits 3" OD pole
UL Listing	Wet Location IP66
Finish	Surface anti-aging electrostatic spray. Super resistant to corrosion.
Warranty	5 years normal operation
Dimensions	20.5"H x 18.75"W

Light Distribution

Type 5



The Type 5 distribution is ideal for general parking and area lighting applications. Intended to be located at or near the center of an intersection or in a large area since it has no beams, but produces a circular distribution with essentially the same candlepower at all lateral angles.



Part	Wattage	Lumens	CRI	Energy Savings
DCPT4870	35W	3,960lm	80	=150w PSMH
DCPT4872	45W	4,950lm	80	=175w PSMH
DCPT4874	54W	5,940lm	80	=250w PSMH

Ordering Example:

DCPT4870-35W-U-50K-BK

Prefix	Wattage	Voltage	Kelvin/CCT	Finish	Options
DCPT4870	35W	U = 120-277V	50K = 5000° Kelvin	BK = Black	
DCPT4872	45W				
DCPT4874	54W				



LED Area Lights

LED Designer Post Top



Applications

Classic design, the product is simple, modern, and elegant. This elegant design will fit the aesthetic of both modern and traditional buildings. Ideal for single and multi-family communities and commercial installations, motels, and hotels. Perfect for landscape, entrances, perimeter, and pool applications.

Specification Features

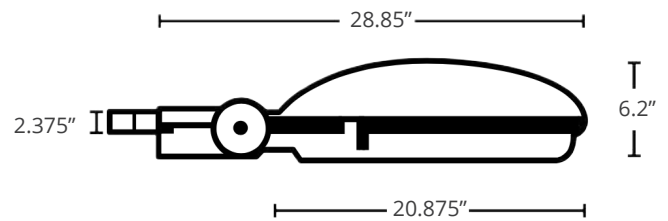
Body	Die cast aluminum
Optical	Anodized PP Plastic Reflector
Lens	Tempered Glass
Gear Plate	Galvanized steel plate
Light Source	Integrated LED
Mounting	Fits 2 ^{3/8} " OD pole
UL Listing	Wet Location IP66
Finish	Surface anti-aging electrostatic spray. Super resistant to corrosion.
Warranty	5 years normal operation
Dimensions	20.5"H x 18.75"W

Light Distribution

Type 5



The Type 5 distribution is ideal for general parking and area lighting applications. Intended to be located at or near the center of an intersection or in a large area since it has no beams, but produces a circular distribution with essentially the same candlepower at all lateral angles.



Part	Wattage	Lumens	CRI	Energy Savings
DCPT4876	40W	4,400lm	80	=160w PSMH
DCPT4878	60W	6,600lm	80	=260w PSMH
DCPT4880	80W	8,800lm	80	=320w PSMH

Ordering Example:

DCPT44876-40W-U-50K-DG

Prefix	Wattage	Voltage	Kelvin/CCT	Finish	Options
DCPT4876	40W	U = 120-277V	50K = 5000° Kelvin	DG = Dark Grey	
DCPT4878	60W				
DCPT4880	80W				



LED Area Lights

LED Designer Post Top



Applications

Classic design, the product is simple, modern, and elegant. This elegant design will fit the aesthetic of both modern and traditional buildings. Ideal for single and multi-family communities and commercial installations, motels, and hotels. Perfect for landscape, entrances, perimeter, and pool applications.

Specification Features

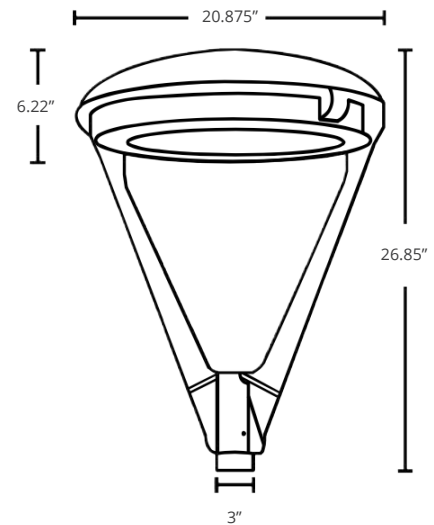
Body	Die cast aluminum
Optical	Anodized PP Plastic Reflector
Lens	Tempered Glass
Gear Plate	Galvanized steel plate
Light Source	Integrated LED
Mounting	Fits 3" OD pole
UL Listing	Wet Location IP66
Finish	Surface anti-aging electrostatic spray. Super resistant to corrosion.
Warranty	5 years normal operation
Dimensions	26.85"H x 20.875"W

Light Distribution

Type 5



The Type 5 distribution is ideal for general parking and area lighting applications. Intended to be located at or near the center of an intersection or in a large area since it has no beams, but produces a circular distribution with essentially the same candlepower at all lateral angles.



Part	Wattage	Lumens	CRI	Energy Savings
DCPT4882	35W	3,960lm	80	=150w PSMH
DCPT4884	45W	4,950lm	80	=175w PSMH
DCPT4886	54W	5,940lm	80	=250w PSMH

Ordering Example:

DCPT4882-35W-U-50K-BK

Prefix	Wattage	Voltage	Kelvin/CCT	Finish	Options
DCPT4882	35W	U = 120-277V	50K = 5000° Kelvin	BK = Black	
DCPT4884	45W			DB = Dark Bronze	
DCPT4886	54W				



LED Area Lights

LED Designer Post Top



Applications

Classic design, the product is simple, modern, and elegant. This elegant design will fit the aesthetic of both modern and traditional buildings. Ideal for single and multi-family communities and commercial installations, motels, and hotels. Perfect for landscape, entrances, perimeter, and pool applications.

Specification Features

Body	Die cast aluminum
Optical	Anodized PP Plastic Reflector
Lens	Tempered Glass
Gear Plate	Galvanized steel plate
Light Source	Integrated LED
Mounting	Fits 3" OD pole
UL Listing	Wet Location IP65
Finish	Surface anti-aging electrostatic spray. Super resistant to corrosion.
Warranty	5 years normal operation
Dimensions	

Light Distribution

Type 5



The Type 5 distribution is ideal for general parking and area lighting applications. Intended to be located at or near the center of an intersection or in a large area since it has no beams, but produces a circular distribution with essentially the same candlepower at all lateral angles.

Part	Wattage	Lumens	CRI
DCPT4890-60W	60W	7,200lm	Ra-70
DCPT4890-100W	100W	12,000lm	Ra-70
DCPT4890-150W	150W	18,000lm	Ra-70

Ordering Example:

DCPT4890-60W-U-50K-BK

Prefix	Wattage	Voltage	Kelvin/CCT	Finish	Options
DCPT4890	60W 100W 150W	U = 120-277V	40K = 4000° Kelvin 50K = 5000° Kelvin	BK = Black BZ = Bronze GY = Grey WH = White	AT120 = Photocontrol



LED Area Lights

LED Designer Post Top



Applications

Classic design, the product is simple, modern, and elegant. This elegant design will fit the aesthetic of both modern and traditional buildings. Ideal for single and multi-family communities and commercial installations, motels, and hotels. Perfect for landscape, entrances, perimeter, and pool applications.

Specification Features

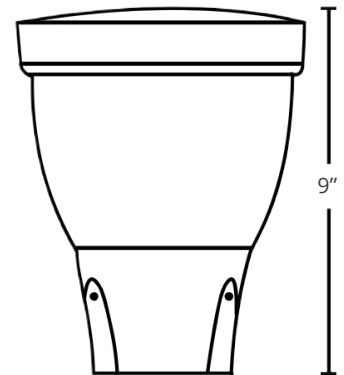
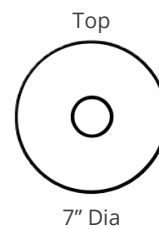
Body	Die cast aluminum
Optical	Anodized PP Plastic Reflector
Lens	UV stabilized & impact resistant optical grade polymer
Light Source	Integrated LED
Driver Current	150mA
Power Factor	0.95/>0.89
UL Listing	Wet Location IP65
Cold Weather Start	-35 °C to +55 °C (-31 °F to +131 °F)
Warranty	5 years normal operation
Dimensions	9"H x 7"W

Light Distribution

Type 5



The Type 5 distribution is ideal for general parking and area lighting applications. Intended to be located at or near the center of an intersection or in a large area since it has no beams, but produces a circular distribution with essentially the same candlepower at all lateral angles.



Part	Wattage	Lumens	CRI
DCPT5000	30W	3,000lm	Ra-70

Ordering Example:

DCPT5000-30W-U-40K-BK

Prefix	Wattage	Voltage	Kelvin/CCT	Finish	Options
DCPT5000	30W	U = 120-277V	40K = 4000 ° Kelvin 50K = 5000 ° Kelvin	BK = Black BZ = Bronze GRY = Grey WH = White	



LED Area Lights

LED Designer Post Top



Applications

Classic design, the product is simple, modern, and elegant. This elegant design will fit the aesthetic of both modern and traditional buildings. Ideal for single and multi-family communities and commercial installations, motels, and hotels. Perfect for landscape, entrances, perimeter, and pool applications.

Specification Features

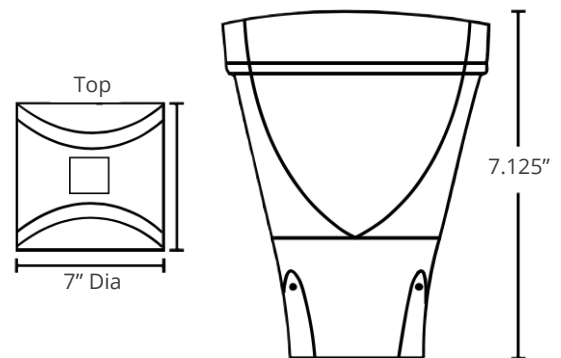
Body	Die cast aluminum
Optical	Anodized PP Plastic Reflector
Lens	Tempered Glass
Gear Plate	Galvanized steel plate
Light Source	Integrated LED
Mounting	Fits 3" OD pole
UL Listing	Wet Location IP65
Cold Weather Start	-35 °C to +55 °C (-31 °F to +131 °F)
Warranty	5 years normal operation
Dimensions	7.125"H x 7"W

Light Distribution

Type 5



The Type 5 distribution is ideal for general parking and area lighting applications. Intended to be located at or near the center of an intersection or in a large area since it has no beams, but produces a circular distribution with essentially the same candlepower at all lateral angles.



Part	Wattage	Lumens	CRI
DCPT5002	30W	3,000lm	Ra-70

Ordering Example:

DCPT5002-30W-U-50K-BK

Prefix	Wattage	Voltage	Kelvin/CCT	Finish	Options
DCPT5002	30W	U = 120-277V	40K = 4000° Kelvin 50K = 5000° Kelvin	BK = Black BZ = Bronze GRY = Grey WH = White	



LED Area Lights

LED Designer Post Top



Applications

Classic design, the product is simple, modern, and elegant. This elegant design will fit the aesthetic of both modern and traditional buildings. Ideal for single and multi-family communities and commercial installations, motels, and hotels. Perfect for landscape, entrances, perimeter, and pool applications.

Specification Features

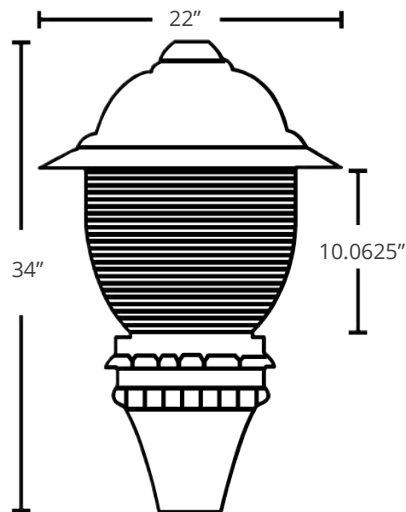
Body	Spun aluminum
Globe	High efficiency clear textured refractor
Support Staff	Fiberglass reinforced plastics. Excellent mechanical strength
Light Source	E26 medium base
UL Listing	Wet Location IP65
Cold Weather Start	- 35 °C to +55 °C (-31 °F to +131 °F)
Warranty	5 years normal operation
Dimensions	34"H x 22"W

Light Distribution

Type 5



The Type 5 distribution is ideal for general parking and area lighting applications. Intended to be located at or near the center of an intersection or in a large area since it has no beams, but produces a circular distribution with essentially the same candlepower at all lateral angles.



Part	Wattage	Lumens	CRI	Energy Savings
DCPT4160-24W	24W	2,640lm	80	=100w PSMH
DCPT4160-35W	35W	3,960lm	80	=150w PSMH
DCPT4160-45W	45W	4,950lm	80	=175w PSMH



Recommended Lamp

CORN-360

24W - 50K
35W - 50K
45W - 50K

Ordering Example:

DCPT4160-35W-U-40K-BK

Prefix	Wattage	Voltage	Kelvin/CCT	Finish	Options
DCPT4160	24W 35W 45W	U = 120-277V	50K = 5000° Kelvin	BK = Black	



LED Area Lights

LED Designer Post Top



Applications

Classic design, the product is simple, modern, and elegant. This elegant design will fit the aesthetic of both modern and traditional buildings. Ideal for single and multi-family communities and commercial installations, motels, and hotels. Perfect for landscape, entrances, perimeter, and pool applications.

Specification Features

Body	Die cast aluminum
Optical	Anodized PP Plastic Reflector
Lens	Tempered Glass
Gear Plate	Galvanized steel plate
Light Source	E26 medium base
Mounting	Fits 3" OD pole
UL Listing	Wet Location IP65
Cold Weather Start	-35 °C to +55 °C (-31 °F to +131 °F)
Warranty	5 years normal operation
Dimensions	42"H x 18"W

Light Distribution

Type 5



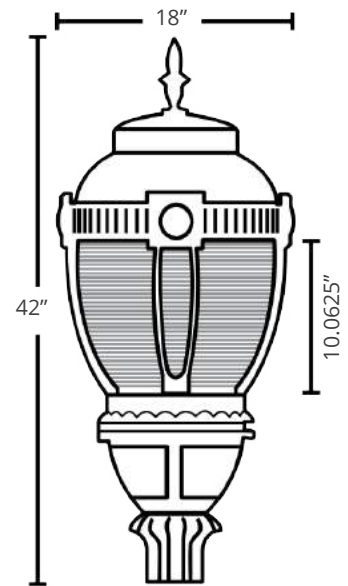
The Type 5 distribution is ideal for general parking and area lighting applications. Intended to be located at or near the center of an intersection or in a large area since it has no beams, but produces a circular distribution with essentially the same candlepower at all lateral angles.



Recommended Lamp

CORN-360

35W - 50K
45W - 50K
54W - 50K



Part	Wattage	Lumens	CRI	Energy Savings
DCPT4190-24W	35W	3,960lm	80	=150w PSMH
DCPT4190-35W	45W	4,950lm	80	=175w PSMH
DCPT4190-45W	54W	5,940lm	80	=250w PSMH

Ordering Example:

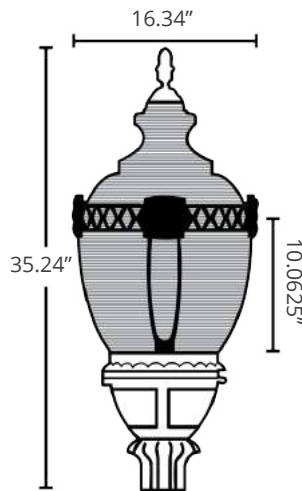
DCPT4190-30W-U-50K-BK

Prefix	Wattage	Voltage	Kelvin/CCT	Finish	Options
DCPT4190	30W	U = 120-277V	50K = 5000° Kelvin	BK = Black	



LED Area Lights

LED Designer Post Top



Applications

Classic design, the product is simple, modern, and elegant. This elegant design will fit the aesthetic of both modern and traditional buildings. Ideal for single and multi-family communities and commercial installations, motels, and hotels. Perfect for landscape, entrances, perimeter, and pool applications.

Specification Features

Body	Spun aluminum
Globe	High efficiency clear textured refractor
Support Staff	Fiberglass reinforced plastics. Excellent mechanical strength
Light Source	E26 medium base
UL Listing	Wet Location IP65
Warranty	5 years normal operation
Dimensions	44"H x 18"W

Light Distribution

Type 5



The Type 5 distribution is ideal for general parking and area lighting applications. Intended to be located at or near the center of an intersection or in a large area since it has no beams, but produces a circular distribution with essentially the same candlepower at all lateral angles.

Part	Wattage	Lumens	CRI	Energy Savings
DCPT4176-24W	24W	2,640lm	80	100w PSMH
DCPT4176-35W	35W	3,960lm	80	150w PSMH
DCPT4176-45W	45W	4,950lm	80	175w PSMH
DCPT4176-54W	54W	5,940lm	80	250w PSMH



Recommended Lamp

CORN-360

24W - 50K
35W - 50K
45W - 50K
54W - 50K

Ordering Example:

DCPT4176-35W-U-40K-BK

Prefix	Wattage	Voltage	Kelvin/CCT	Finish	Options
DCPT4176	24W 35W 45W 54W	U = 120-277V	50K = 5000° Kelvin	BK = Black	



LED Area Lights

LED Designer Post Top



LED800206-35
LED800208-45



LED800216-35
LED800218-45

Applications

Classic design, the product is simple, modern, and elegant. This elegant design will fit the aesthetic of both modern and traditional buildings. Ideal for single and multi-family communities and commercial installations, motels, and hotels. Perfect for landscape, entrances, perimeter, and pool applications.

Specification Features

Body	Spun aluminum
Globe	High efficiency clear textured refractor
Support Staff	Fiberglass reinforced plastics. Excellent mechanical strength
Light Source	E26 medium base
UL Listing	Wet Location IP65
Warranty	5 years normal operation
Dimensions	36"H x 16.5"W

Light Distribution

Type 5



The Type 5 distribution is ideal for general parking and area lighting applications. Intended to be located at or near the center of an intersection or in a large area since it has no beams, but produces a circular distribution with essentially the same candlepower at all lateral angles.



36"

Wattage	Lumens	CRI	Energy Savings
35W	3,960lm	80	150w PSMH
45W	4,950lm	80	175w PSMH



Recommended Lamp

CORN-360
35W - 50K
45W - 50K

Ordering Example:

DCPT800206-36W-U-50K-BK

Prefix	Voltage	Kelvin/CCT	Finish	Options
DCPT800206-35W DCPT800208-45W DCPT800216-35W DCPT800218-45W	U = 120-277V	50K = 5000° Kelvin	BK = Black DG = Dark Grey LG = Light Grey	



LED Area Lights

Direct Burial Poles



Applications

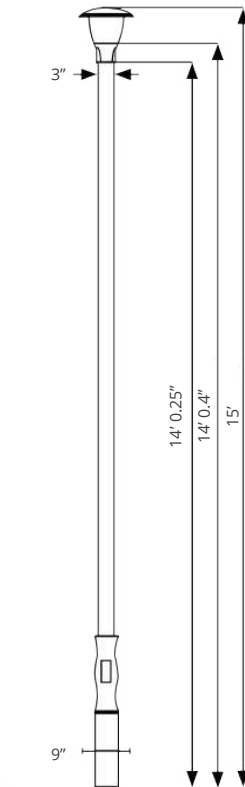
Auto dealerships, multi-family parking lots, assisted living, education, business campuses, parks & recreation areas

Specification Features

Body	Fabricated from the highest grade structural steel.
Photocell	Optional, sold separately, easy field install
Paint	Polyester powder coat finish
Thickness	3" x .05 Round tube
Mounting	Direct burial installation



Wire way access window



Burial Depth	Post Length
18"	8'
24"	10'
24"	12'
30"	15'

Ordering Example:

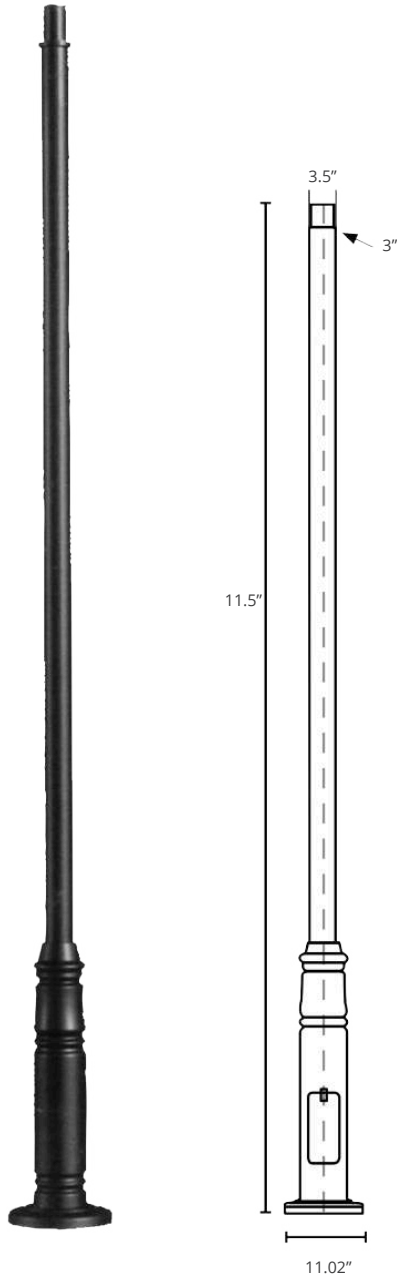
DCPOLES500-15-BK

Prefix	Height	Finish
DCPOLES500	15 = 15 feet	BK = Black (standard) BZ = Bronze



LED Area Lights

Decorative Poles



Applications

Auto dealerships, multi-family parking lots, assisted living, education, business campuses, parks & recreation areas

Specification Features

Body	Tapered high-tensile carbon steel shaft from 3.5" round welded to a steel anchor plate. After tapering, forming, and welding, the entire shaft assembly is hot dipped galvanized.
Access Plate	A 3.5" x 7" maintenance opening with cover and ground connector is centered 13" from the bottom of the anchor plate.
Base Cover	Made of one piece of fiberglass reinforced plastics, mechanically assembled together with stainless screws. There is one door in the base cover to open the maintenance hatch.
Finish	"Hot-Dipped" chemical etching preparation. Polyester powder coat texture finish. Standard stock color is black.

Ordering Example:

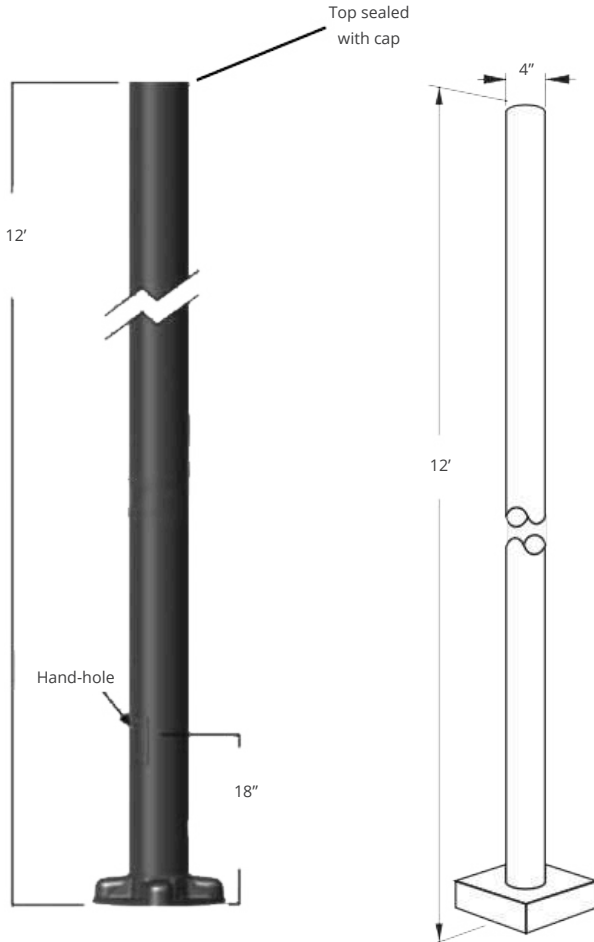
DCPOLES300-12-BK

Prefix	Height	Finish
DCPOLES300	10 = 10 feet 12 = 12 feet	BK = Black (standard) BZ = Bronze



LED Area Lights

Festoon Poles



Applications

Ideal for patios, overhangs, outdoor living areas, tents for weddings or festivals, and event lighting.

Shaft

Diameter	4"
Construction	Structural Steel
Yield Strength	Meets minimum of 46,000 PSI
Wind Rating	90 MPH
Wall Thickness	7Ga, 11Ga
Wiring	Reinforced hand hole w/ cover. Ground lug located inside pole opposite hand hole.
Finish	Polyester powder coat, pretreated by sand blast. Top coat baked a 400 degrees for maximum hardness and durability.

Base

Construction	Hot Rolled Steel
Yield Strength	Meets minimum of 46,000 PSI
Application	Base telescopes & is circumferentially welded to pole shaft
Installation	Slotted bolt holes provide 1" flexibility on either side of bolt circle centerline.
Wiring	Reinforced hand hole w/ cover. Ground lug located inside pole opposite hand hole.
Anchorage	4 anchor bolts (hot rolled steel) minimum yield strength of 50,000 PSI "L" bend on the end are threaded on the other end. Galvanized and come with 2 nuts and washers.
Finish	Polyester powder coat, pretreated by sand blast. Top coat baked a 400 degrees for maximum hardness and durability.

Ordering Example:

DCPOLES400-12-BK

Prefix	Height	Finish
DCPOLES400	10 = 10 feet 12 = 12 feet	BK = Black (standard) BZ = Bronze



LED Area Lights

Commercial Grade LED String Lights



Applications

Ideal for patios, overhangs, outdoor living areas, tents for weddings or festivals, and event lighting.

Specification Features

ETL Listing	Indoor/Outdoor. Suitable for year-round use. IP64
Wire Color	Black
Wire Type	2-wire with 120V plug and terminated end.
Sockets	48' = 24 Sockets 100' = 50 Sockets
Light Source	E26 Medium Base - S14 Bulb
Voltage	120V
Wattage	48' = 600W per string 100' = 1,250W per string
Socket Spacing	24"
Construction	Formulated PVC sockets form a tight seal around bulbs to preclude the entrance of water and moisture. Suspended socket has T-mold with mounting hole at top while non-suspended socket has two mounting ears built into the base.
Mounting	For spans up to 20 feet, use eye bolts and plastic ties to anchor ends. For spans longer than 20 feet, use catenary cable (sold separately) with plastic ties at each socket.

Hanging Instructions

Light sockets must be suspended so that bulbs are facing down only. **DO NOT MOUNT THE LIGHT STRINGS WITH SOCKETS FACING UPWARD!**

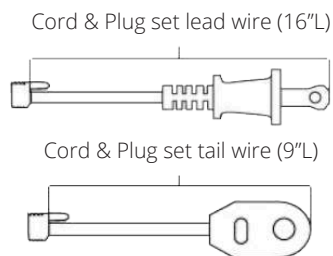
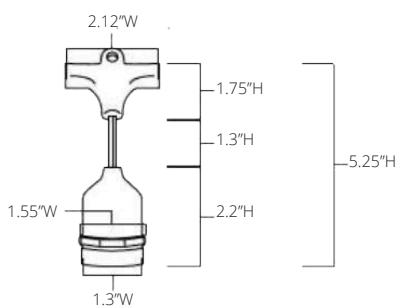
Light string must be securely attached to a support structure at each end of each span. The maximum unsupported span distance for 48 foot Cord & Plug Light String is 20 feet (10 sockets).

Secure light string to supporting hardware (eye bolts, brackets, etc - not included) using cable ties (not included).

Ensure any cut ends are properly sealed to prevent entrance of water

For spans exceeding 20 feet, use properly rated cable support system and cable ties (neither are provided with light string) and follow local codes for suspended cables and loads.

See accessories on the following page.



Ordering Example:

DCSTL830-48-S-BK

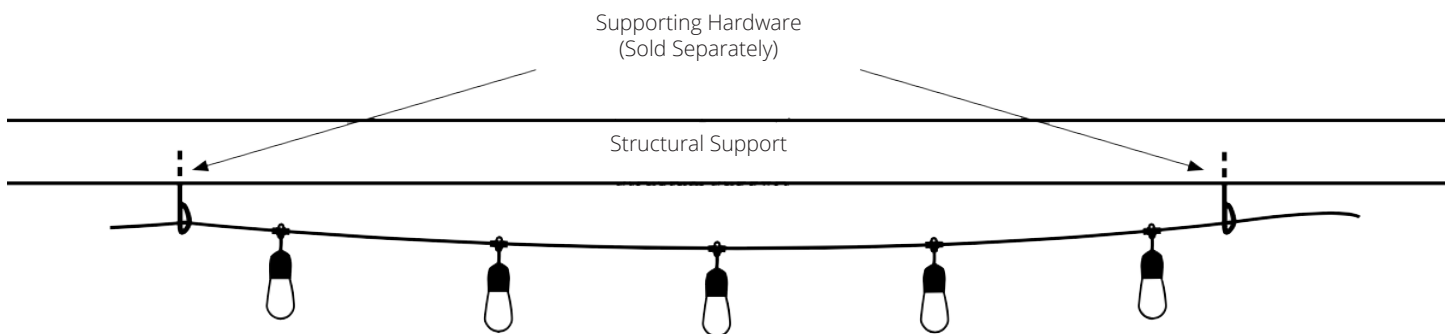
Prefix	Height	Model	Finish
DCSTL830	48 = 48 feet 100 = 100 feet	S = Suspended	BK = Black

LED Area Lights

String Light Accessories



	Part	Description
	DCLEDS14	Decorative S14 bulb with E26 base. Long lasting LED.
	DC-M/MS-END	Black plastic end cap.
	DC-SL-CABLE-60	60ft. Cantenary Cable Kit includes: (1) 60ft. length of 1/8" diameter cantenary/guide cable for light string installation, (2) heavy duty cable locks, and (1) cable release key.
	DC-SL-CABLE-110	110ft. Cantenary Cable Kit includes: (1) 110ft. length of 1/8" diameter cantenary/guide cable for light string installation, (2) heavy duty cable locks, and (1) cable release key.
	DC-SL-CABLE-500	500ft. Cantenary Cable Bulk Reel includes: (1) 500ft. length of 1/8" diameter cantenary/guide cable for light string installation.
	DC-SL-LOCK-4	(4) Heavy duty cable locks for 1/8" cantenary cable, includes cable release key. Supports loads up to 330lbs.
	DC-SL-TT	Tensioning tool is used to eliminate sag from cantenary cable. Never tighten cable before load is attached. Never over-tighten cable.



LED Track Lights

Fixed Track



Applications

Exceptional design for residential, commercial, and hospitality applications. Perfect for great rooms, entryways, dining areas, and foyers.

Specification Features

UL or ETL Listing	Dry Location
Material	Cold Rolled Steel, Baked Enamel
Lens	NA
Light Source	LED MR16 (GU10 Socket) Sold Separately
CRI	>80
Track	Fixed
Voltage	120V
Mounting	Ceiling Mount. All necessary hardware included.



Recommended Lamp

DCLED066
6W • 450lm
30K, 40K, 50K

Part	Heads	Wattage	Base	Lumens	Kelvin	CRI	Dimensions
DCT4232-3x6W	3	3 x 6w	GU10	1,350lm	30K, 40K, 50K	>80	13.25" x 32.88" x 5.13"
DCT4232-4x6W	4	4 x 6w	GU10	1,800lm	30K, 40K, 50K	>80	13.25" x 32.88" x 5.13"

Ordering Example:

DCT4232-3x6W-30K-BN



Prefix	Wattage	Kelvin/CCT	Finish
DCT4232	3x6W = 3 x 6 watt GU10 Socket Head 4x6W = 4 x 6 watt GU10 Socket Head	30K = 3000° Kelvin 40K = 4000° Kelvin 50K = 5000° Kelvin	BN = Brushed Nickel CH = Chrome WH = White BK = Black

LED Track Lights

Fixed Track



Applications

Exceptional design for residential, commercial, and hospitality applications. Perfect for great rooms, entryways, dining areas, and foyers.

Specification Features

UL or ETL Listing	Dry Location
Material	Cold Rolled Steel, Baked Enamel
Lens	NA
Light Source	LED MR16 (GU10 Socket) Sold Separately
CRI	>80
Track	Fixed
Voltage	120V
Mounting	Ceiling Mount. All necessary hardware included.



Recommended Lamp

DCLED066
6W • 450lm
30K, 40K, 50K

Part	Heads	Wattage	Base	Lumens	Kelvin	CRI	Dimensions
DCT4228-3x6W	3	3 x 6w	GU10	1,350lm	30K, 40K, 50K	>80	13.25" x 32.88" x 5.13"
DCT4228-4x6W	4	4 x 6w	GU10	1,800lm	30K, 40K, 50K	>80	13.25" x 32.88" x 5.13"

Ordering Example:

DCT4228-3x6W-30K-BN

Prefix	Wattage	Kelvin/CCT	Finish
DCT4228	3x6W = 3 x 6 watt GU10 Socket Head 4x6W = 4 x 6 watt GU10 Socket Head	30K = 3000° Kelvin 40K = 4000° Kelvin 50K = 5000° Kelvin	BN = Brushed Nickel CH = Chrome WH = White BK = Black



LED Track Lights

Fixed Track



Applications

Exceptional design for residential, commercial, and hospitality applications. Perfect for great rooms, entryways, dining areas, and foyers.

Specification Features

UL or ETL Listing	Dry Location
Material	Cold Rolled Steel, Baked Enamel
Lens	Frosted
Light Source	LED A19 (E26 Socket) Sold Separately
CRI	>80
Track	Fixed
Voltage	120V
Mounting	Ceiling Mount. All necessary hardware included.



Recommended Lamp

DCLEDA110
9W • 800lm • 30K

DCLEDA112
9W • 800lm • 41K

Part	Heads	Wattage	Base	Lumens	Kelvin	CRI	Dimensions
DCT4142-3x9W	3	3 x 9w	E26	2,400lm	30K, 41K	>80	6.25" x 35.5" x 7"
DCT4142-4x9W	4	4 x 9w	E26	3,200lm	30K, 41K	>80	6.25" x 35.5" x 7"

Ordering Example:

DCT4142-3x9W-27K-BN



Prefix	Wattage	Kelvin/CCT	Finish
DCT4142	3x6W = 3 x 9 watt E26 Socket Head 4x6W = 4 x 9 watt E26 Socket Head	30K = 3000° Kelvin 41K = 4100° Kelvin	BN = Brushed Nickel CH = Chrome WH = White BK = Black

LED Track Lights

Fixed Track



Applications

Exceptional design for residential, commercial, and hospitality applications. Perfect for great rooms, entryways, dining areas, and foyers.

Specification Features

UL or ETL Listing	Dry Location
Material	Cold Rolled Steel, Baked Enamel
Lens	Opal White
Light Source	Integrated LED
CRI	>80
Track	Fixed
Voltage	120V
Mounting	Ceiling Mount. All necessary hardware included.



Part	Heads	Wattage	Lumens	Kelvin	CRI	Dimensions
DCT4214-4x12W	4	4 x 12w	3,680lm	30K, 40K, 50K	>80	5" x 26.75"

Ordering Example:

DCT4214-3x12W-30K-BN



Prefix	Wattage	Kelvin/CCT	Finish
DCT4214	4x12W = 4x 12 watt Integrated LED Head	30K = 3000° Kelvin 40K = 4000° Kelvin 50K = 5000° Kelvin	BN = Brushed Nickel CH = Chrome WH = White BK = Black

LED Track Lights

Adjustable Track



Applications

Exceptional design for residential, commercial, and hospitality applications. Perfect for great rooms, entryways, dining areas, and foyers.



Specification Features

UL or ETL Listing	Dry Location
Material	Cold Rolled Steel, Baked Enamel
Lens	NA
Light Source	LED MR16 (GU10 Socket) Sold Separately
CRI	>80
Track	Adjustable
Voltage	120V
Mounting	Ceiling Mount. All necessary hardware included.



Recommended Lamp

DCLED066
6W • 450lm
30K, 40K, 50K

Track Accessories



DCT098 - 2 ft. Track
DCT100 - 3 ft. Track
DCT102 - 4 ft. Track
Black, White, or Brushed Nickel



DCT106
Live End with Canopy
Black, White, or Brushed Nickel



DCT110
Mini Straight Connector
Black, White, or Brushed Nickel



DCT124
Floating Feed
Black, White, or Brushed Nickel



DCT160
Line Voltage Monopoint
Black, White, or Brushed Nickel

Part	Heads	Wattage	Base	Lumens	Kelvin	CRI	Dimensions
DCT4500-1x6W	1	6w	GU10	450lm	30K, 40K, 50K	>80	48" x 3.75" x 2.25"
DCT4500-3x6W	3	18w (3 x 6w)	GU10	1,350lm	30K, 40K, 50K	>80	48" x 3.75" x 2.25"
DCT4500-4x6W	4	24w (4 x 6w)	GU10	1,800lm	30K, 40K, 50K	>80	48" x 3.75" x 2.25"

Ordering Example:

DCT4500-3x6W-30K-BN



Prefix	Wattage	Kelvin/CCT	Finish
DCT4500	1x6W = 1x 6 watt GU10 Socket Head 3x6W = 3x 6 watt GU10 Socket Head 4x6W = 4x 6 watt GU10 Socket Head	30K = 3000° Kelvin 40K = 4000° Kelvin 50K = 5000° Kelvin	BN = Brushed Nickel CH = Chrome WH = White BK = Black

LED Track Lights

Adjustable Track



Applications

Exceptional design for residential, commercial, and hospitality applications. Perfect for great rooms, entryways, dining areas, and foyers.

Specification Features

UL or ETL Listing	Dry Location
Material	Cold Rolled Steel, Baked Enamel
Lens	NA
Light Source	Integrated LED
CRI	>80
Track	Adjustable
Voltage	120V
Mounting	Ceiling Mount. All necessary hardware included.

Track Accessories



DCT098 - 2 ft. Track
DCT100 - 3 ft. Track
DCT102 - 4 ft. Track
 Black, White, or Brushed Nickel



DCT106
 Live End with Canopy
 Black, White, or Brushed Nickel



DCT110
 Mini Straight Connector
 Black, White, or Brushed Nickel



DCT124
 Floating Feed
 Black, White, or Brushed Nickel



DCT160
 Line Voltage Monopoint
 Black, White, or Brushed Nickel

Part	Heads	Wattage	Lumens	Kelvin	CRI	Dimensions
DCT4224-1x14.5W	1	14.5w	935lm	30K, 40K, 50K	>80	3.18" x 6.06" x 5.43"
DCT4224-3x14.5W	3	43.5w (3x 14.5w)	2,805lm	30K, 40K, 50K	>80	3.18" x 6.06" x 5.43"
DCT4224-4x14.5W	4	58w (4x 14.5w)	3,740lm	30K, 40K, 50K	>80	3.18" x 6.06" x 5.43"

Ordering Example:
 DCT4224-3x14.5W-30K-BN

Prefix	Wattage	Kelvin/CCT	Finish
DCT4224	1x14.5W = 1x 14.5 watt Integrated LED Head 3x14.5W = 3x 14.5 watt Integrated LED Head 4x14.5W = 4x 14.5 watt Integrated LED Head	30K = 3000° Kelvin 40K = 4000° Kelvin 50K = 5000° Kelvin	BN = Brushed Nickel CH = Chrome WH = White BK = Black



LED Track Lights

Adjustable Track



Applications

Exceptional design for residential, commercial, and hospitality applications. Perfect for great rooms, entryways, dining areas, and foyers.



Specification Features

UL or ETL Listing	Dry Location
Material	Cold Rolled Steel, Baked Enamel
Lens	NA
Light Source	LED MR16 (GU10 Socket) Sold Separately
CRI	>80
Track	Adjustable
Voltage	120V
Mounting	Ceiling Mount. All necessary hardware included.

Recommended Lamp



DCLED066
6W • 450lm
30K, 40K, 50K

Track Accessories



DCT098 - 2 ft. Track
DCT100 - 3 ft. Track
DCT102 - 4 ft. Track
Black, White, or Brushed Nickel



DCT106
Live End with Canopy
Black, White, or Brushed Nickel



DCT110
Mini Straight Connector
Black, White, or Brushed Nickel



DCT124
Floating Feed
Black, White, or Brushed Nickel



DCT160
Line Voltage Monopoint
Black, White, or Brushed Nickel

Part	Heads	Wattage	Base	Lumens	Kelvin	CRI	Dimensions
DCT4218-1x6W	1	6w	GU10	450lm	30K, 40K, 50K	>80	6" x 2.25" x 3"
DCT4218-3x6W	3	18w (3 x 6w)	GU10	1,350lm	30K, 40K, 50K	>80	6" x 2.25" x 3"
DCT4218-4x6W	4	24w (4 x 6w)	GU10	1,800lm	30K, 40K, 50K	>80	6" x 2.25" x 3"

Ordering Example:

DCT4218-3x6W-30K-BN



Prefix	Wattage	Kelvin/CCT	Finish
DCT4218	1x18W = 1 x 6 watt GU10 Socket Head 3x18W = 3 x 6 watt GU10 Socket Head 4x24W = 4 x 6 watt GU10 Socket Head	30K = 3000° Kelvin 40K = 4000° Kelvin 50K = 5000° Kelvin	BN = Brushed Nickel CH = Chrome WH = White BK = Black

LED Track Lights

Adjustable Track



Applications

Exceptional design for residential, commercial, and hospitality applications. Perfect for great rooms, entryways, dining areas, and foyers.

Specification Features

UL or ETL Listing	Dry Location
Material	Cold Rolled Steel, Baked Enamel
Lens	NA
Light Source	LED MR16 (GU10 Socket) Sold Separately
CRI	>80
Track	Adjustable
Voltage	120V
Mounting	Ceiling Mount. All necessary hardware included.



Recommended Lamp

DCLED066
6W • 450lm
30K, 40K, 50K

Track Accessories



DCT098 - 2 ft. Track
DCT100 - 3 ft. Track
DCT102 - 4 ft. Track
Black, White, or Brushed Nickel



DCT106
Live End with Canopy
Black, White, or Brushed Nickel



DCT110
Mini Straight Connector
Black, White, or Brushed Nickel



DCT124
Floating Feed
Black, White, or Brushed Nickel



DCT160
Line Voltage Monopoint
Black, White, or Brushed Nickel

Part	Heads	Wattage	Base	Lumens	Kelvin	CRI	Dimensions
DCT4226-1x6W	1	1 x 6w	GU10	450lm	30K, 40K, 50K	>80	6" x 2.25"
DCT4226-3x6W	3	18w (3 x 6w)	GU10	1,350lm	30K, 40K, 50K	>80	6" x 2.25"
DCT4226-4x6W	4	24w (4 x 6w)	GU10	1,800lm	30K, 40K, 50K	>80	6" x 2.25"

Ordering Example:

DCT4226-3x6W-30K-BN



Prefix	Wattage	Kelvin/CCT	Finish
DCT4226	1x6W = 1x 6 watt GU10 Socket Head 3x6W = 3x 6 watt GU10 Socket Head 4x6W = 4x 6 watt GU10 Socket Head	30K = 3000° Kelvin 40K = 4000° Kelvin 50K = 5000° Kelvin	BN = Brushed Nickel CH = Chrome WH = White BK = Black

LED Track Lights

Adjustable Track



Applications

Exceptional design for residential, commercial, and hospitality applications. Perfect for great rooms, entryways, dining areas, and foyers.

Specification Features

UL or ETL Listing	Dry Location
Material	Cold Rolled Steel, Baked Enamel
Lens	NA
Light Source	LED MR16 (GU10 Socket) Sold Separately
CRI	>80
Track	Adjustable
Voltage	120V
Mounting	Ceiling Mount. All necessary hardware included.



Recommended Lamp
DCLED066
6W • 450lm
30K, 40K, 50K

Track Accessories



DCT098 - 2 ft. Track
DCT100 - 3 ft. Track
DCT102 - 4 ft. Track
Black, White, or Brushed Nickel



DCT106
Live End with Canopy
Black, White, or Brushed Nickel



DCT110
Mini Straight Connector
Black, White, or Brushed Nickel



DCT124
Floating Feed
Black, White, or Brushed Nickel



DCT160
Line Voltage Monopoint
Black, White, or Brushed Nickel

Part	Heads	Wattage	Base	Lumens	Kelvin	CRI	Dimensions
DCT4220-3x6W	3	1 x 6w	GU10	450lm	30K, 40K, 50K	>80	3.75" x 3.81" x 3.25"
DCT4220-3x6W	3	18w (3 x 6w)	GU10	1,350lm	30K, 40K, 50K	>80	3.75" x 3.81" x 3.25"
DCT4220-4x6W	4	24w (4 x 6w)	GU10	1,800lm	30K, 40K, 50K	>80	3.75" x 3.81" x 3.25"

Ordering Example:
DCT4220-3x6W-30K-BN



Prefix	Wattage	Kelvin/CCT	Finish
DCT4220	1x6W = 1 x 6 watt GU10 Socket Head 3x6W = 3 x 6 watt GU10 Socket Head 4x6W = 4 x 6 watt GU10 Socket Head	30K = 3000° Kelvin 40K = 4000° Kelvin 50K = 5000° Kelvin	BN = Brushed Nickel CH = Chrome WH = White BK = Black

LED Track Lights

Adjustable Track



Applications

Exceptional design for residential, commercial, and hospitality applications. Perfect for great rooms, entryways, dining areas, and foyers.



Specification Features

UL or ETL Listing	Dry Location
Material	Cold Rolled Steel, Baked Enamel
Lens	NA
Light Source	LED PAR30 (E26 Socket) Sold Separately
CRI	>80
Track	Adjustable
Voltage	120V
Mounting	Ceiling Mount. All necessary hardware included.

Recommended Lamp



DCLED432
11.5W • 850lm
30K, 40K, 50K

Track Accessories



DCT098 - 2 ft. Track
DCT100 - 3 ft. Track
DCT102 - 4 ft. Track
Black, White, or Brushed Nickel



DCT106
Live End with Canopy
Black, White, or Brushed Nickel



DCT110
Mini Straight Connector
Black, White, or Brushed Nickel



DCT124
Floating Feed
Black, White, or Brushed Nickel



DCT160
Line Voltage Monopoint
Black, White, or Brushed Nickel

Part	Heads	Wattage	Lumens	Kelvin	CRI	Dimensions
DCT4050-1x11.5W	1	1 x 11.5w	850lm	30K, 40K, 50K	>80	7.25" x 4"
DCT4050-3x11.5W	3	34.5w (3 x 11.5w)	2,550lm	30K, 40K, 50K	>80	7.25" x 4"
DCT4050-4x11.5W	4	46w (4 x 11.5w)	3,400lm	30K, 40K, 50K	>80	7.25" x 4"

Ordering Example:

DCT4050-3x11.5W-30K-BN



Prefix	Wattage	Kelvin/CCT	Finish
DCT4050	1x11.5W = 1x 11.5 watt E26 Socket Head 3x11.5W = 3x 11.5 watt E26 Socket Head 4x11.5W = 4x 11.5 watt E26 Socket Head	30K = 3000° Kelvin 40K = 4000° Kelvin 50K = 5000° Kelvin	BN = Brushed Nickel CH = Chrome WH = White BK = Black

LED Exit & Emergency



Thermoplastic LED Exit Sign



Specification Features

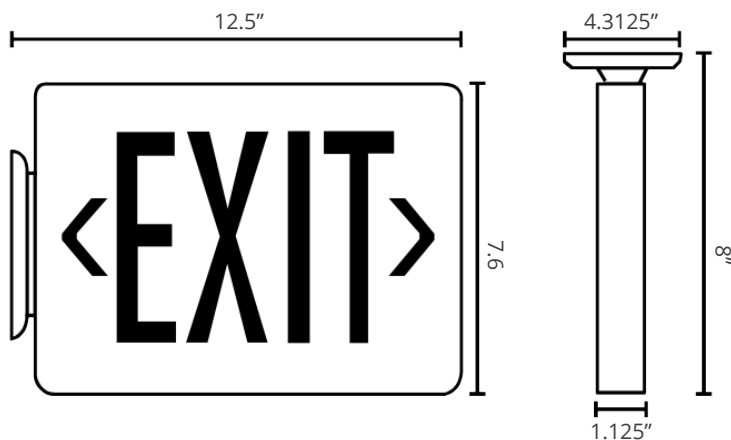
Voltage	Dual 120/277
Charge Rate / Power	"ON" LED indicator light and push-to-test switch for mandated code compliance.
Battery	4.8v maintenance free, rechargeable NiCd battery (EM Standard)
Input Wattage	1.9W
Transfer Switch	Internal solid state. Automatically connects the internal battery to LED board and lamp heads for minimum 90min. emergency illumination.
Charger	Fully automatic, solid state, two rate charger initiates battery charging to recharge a discharged battery in 24 hrs.
Mounting	EZ-snap mounting canopy included for top or end mount. Universal knock-out pattern on backplate for wall mount.
Housing	EZ-snap chevron directional indicators. Compact, low-profile design.
Construction	Injection molded, engineering grade, 5VA flame retardant, high impact resistant thermoplastic

Options

SDT	Self diagnosis feature performs monthly, biannual, and annual tests to ensure reliable operation and meet electrical and life safety codes.
2C	Dual circuit option on the AC-only unit enables it to be connected to two different (one acting as a back-up to the other) supplies at the same time.
USA	Substantial transformation assembly in the US. Complies with "Assembled in the USA" under the "Buy American Act".
cUL	Units tested to meet requirements of CAN/USA-c22.2 No. 141-02 standard for unit equipment.

Warranty

Five year warranty on all electronics and housing.
Battery pro-rated for five years.
Meets UL924, NFPA 101 Life Safety Code, NEC, OSHA, Local and State Codes.
UL listed for Damp Locations (0° C - 50° C)
Certified to CEC under Title 20 regulations.



Ordering Example:

DCE1001-2-R-WH-SDT



Prefix	# of Faces	Letter Color	Housing Color	Battery	Options
DCE1001	2 = Universal Single/ Double Face	R = Red G = Green	WH = White BK = Black	Blank = Battery Back-up AC = AC Only	SDT = Self-Diagnostics (EM units only) 2C = Dual Circuit Operation (AC units only) USA = Assembled in USA cUL = cUL Listed

LED Exit & Emergency

Thermoplastic LED Exit/Emergency Combo



Specification Features

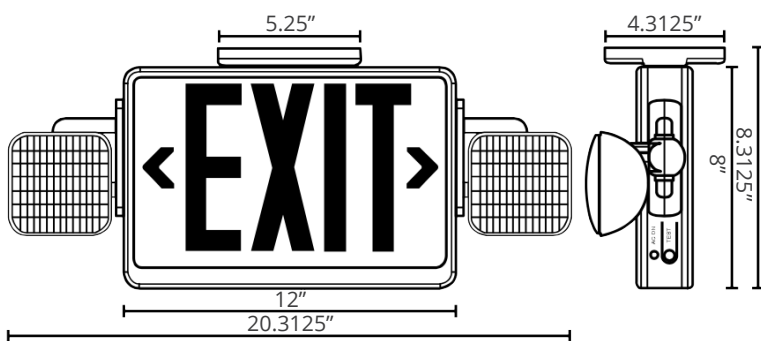
Voltage	Dual 120/277
Charge Rate / Power	"ON" LED indicator light and push-to-test switch for mandated code compliance.
Battery	9.6v maintenance free, rechargeable NiCd battery. (EM Standard)
Transfer Switch	Internal solid state. Automatically connects the internal battery to LED board and lamp heads for minimum 90min. emergency illumination.
Charger	Fully automatic, solid state, two rate charger initiates battery charging to recharge a discharged battery in 24 hrs.
Mounting	EZ-snap mounting canopy included for top or end mount. Universal knock-out pattern on backplate for wall mount.
Housing	EZ-snap chevron directional indicators. Compact, low-profile design.
Construction	Injection molded, engineering grade, 5VA flame retardant, high impact resistant thermoplastic

Options

SDT	Self diagnosis feature performs monthly, biannual, and annual tests to ensure reliable operation and meet electrical and life safety codes.
HL	12-LED heads provide increased center-to-center spacing (1.5w per head).
NH	No lamp head attached to the unit enabling it to be used as a remote capable exit sign.
RC	Remote capacity of up to 3.0 watts.

Warranty

Five year warranty on all electronics and housing.
Battery pro-rated for five years.
Meets UL924, NFPA 101 Life Safety Code, NEC, OSHA, Local and State Codes.
UL listed for Damp Locations (0 ° C - 40 ° C)
Certified to CEC under Title 20 regulations.



Ordering Example:

DCE1003-2-R-WH-AC-SDT

Prefix	# of Faces	Letter Color	Housing Color	Battery	Options
DCE1003	2 = Universal Single/ Double Face	R = Red G = Green	WH = White BK = Black	Blank = Battery Back-up AC = AC Only	SDT = Self-Diagnostics (EM units only) RC = Remote Capacity HL = High Lumen NH = No Lamp Heads



LED Exit & Emergency

Thermoplastic LED Emergency Unit



Specification Features

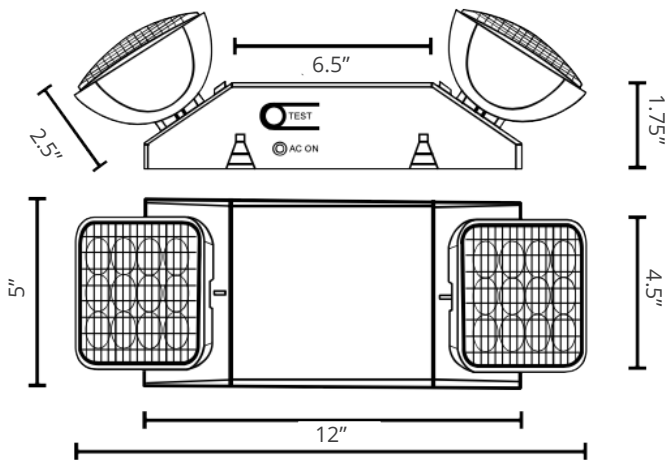
Voltage	Dual 120/277 Optional multi-tap 208/220/240 voltage available.
Charge Rate / Power	"ON" LED indicator light and push-to-test switch for mandated code compliance.
Battery	6v maintenance free, rechargeable NiCd battery.
Transfer Switch	Internal solid state. Automatically connects the internal battery to LED board and lamp heads for minimum 90min. emergency illumination.
Charger	Fully automatic, solid state, two rate charger initiates battery charging to recharge a discharged battery in 24 hrs.
Mounting	Surface mount via easy connect backplate, which fits most standard J boxes and snaps into place making internal electrical connections. Top and side knock-outs available for conduit application. Suitable for wall mount.
Construction	Injection molded, engineering grade, 5VA flame retardant, high impact resistant thermoplastic.

Options

SDT	Self diagnosis feature performs monthly, biannual, and annual tests to ensure reliable operation and meet electrical and life safety codes.
HL	12-LED heads provide increased center-to-center spacing (1.5w per head).
SPV	Tested 120/347v to meet requirements of CSA C22.2 No. 141.10 standard for emergency lighting equipment.
CEC	Certified to CEC under Title 20 Regulations.
CSA	Units tested to meet requirements of CAN/USA-c22.2 No. 141-02 standard for unit equipment.

Warranty

Five year warranty on all electronics and housing.
Battery pro-rated for five years.
Meets UL924, NFPA 101 Life Safety Code, NEC, OSHA, Local and State Codes.
UL listed for Damp Locations (0° C - 50° C)



Ordering Example:

DCE3004-WH-SDT

Prefix	Housing Color	Options	
DCE3004	WH = White BK = Black	SDT = Self-Diagnostics (EM units only) SPV = 208/220/240 Volt, 50/60 Hz HL = High Lumen CSA = 120/347V, 60Hz input	CEC = Title 20 compliant



LED Exit & Emergency

Thermoplastic LED Emergency Unit

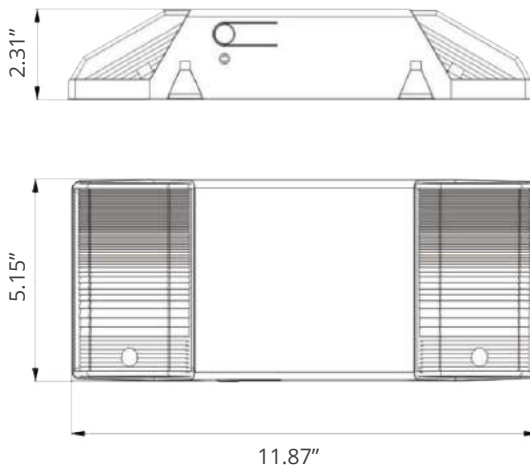


Specification Features

Voltage	Dual 120/277
Charge	LVD (Low Voltage Disconnect) prevents battery from deep discharge
Battery	3.6v 1000mAh maintenance free, rechargeable NiCd battery.
Transfer Switch	Internal solid state. Automatically connects the internal battery to LED board and lamp heads for minimum 90min. emergency illumination.
Charger	Fully automatic, solid state, two rate charger initiates battery charging to recharge a discharged battery in 24 hrs.
Mounting	Universal knock-out pattern on backplate for wall mount. Snaps into place, making internal electrical connections. Threaded opening at the top of the enclosure for conduit mount.
Construction	Injection molded, engineering grade, 5VA flame retardant, high impact resistant thermoplastic

Warranty

Five year warranty on all electronics and housing.
Battery pro-rated for two years.
Meets UL924, NFPA 101 Life Safety Code, NEC, OSHA, Local and State Codes.
UL listed for Damp Locations (0° C - 50° C)
Certified to CEC under Title 20 regulations.



Ordering Example:

DCE3005-WH



Prefix	Housing Color	Options
DCE3005	WH = White BK = Black	

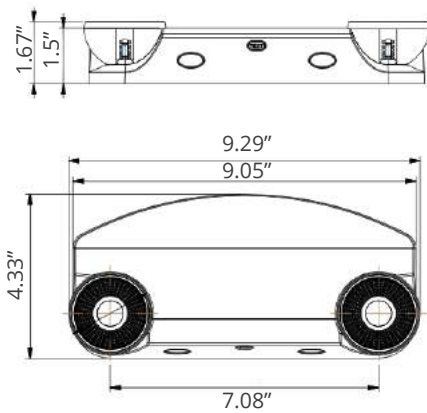
LED Exit & Emergency

Thermoplastic LED Emergency Unit



Specification Features

Voltage	Dual 120/277
Charge Rate / Power	"ON" LED indicator light and push-to-test switch for mandated code compliance.
Battery	3.6v long-life, maintenance free, rechargeable Ni-MH battery.
Transfer Switch	Internal solid state. Automatically connects the internal battery to LED board and lamp heads for minimum 90min. emergency illumination.
Charger	Fully automatic, solid state, two rate charger initiates battery charging to recharge a discharged battery in 24 hrs.
Mounting	Universal J-Box mounting pattern.



Warranty

Five year warranty on all electronics and housing.
Battery pro-rated for three years.
Meets UL94V flame rating. RoHS compliant.
UL listed for Damp Locations (0 °C to 40 °C)

Ordering Example:

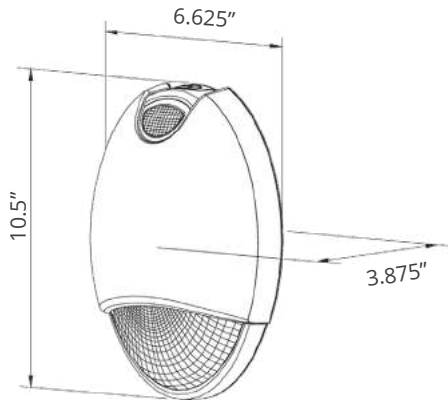
DCE3051-WH-RC



Prefix	Housing Color	Options
DCE3051	BK = Black WH = White	RC = Remote Capable

LED Exit & Emergency

LED Decorative Outdoor AC/ Emergency Unit



Specification Features

Voltage	Dual 120/277
Charge Rate / Power	"ON" LED indicator light and push-to-test switch for mandated code compliance.
Battery	4.8v long-life, maintenance free, rechargeable NiCd battery.
Transfer Switch	Internal solid state. Automatically connects the internal battery to LED board and lamp heads for minimum 90min. emergency illumination.
Charger	Fully automatic, solid state, two rate charger initiates battery charging to recharge a discharged battery in 24 hrs.
Mounting	Universal knock-out pattern on backplate for wall mount. Threaded opening at top of enclosure for conduit mount.
Diagnostics	Self diagnosis feature performs monthly, biannual, and annual tests to ensure reliable operation and meet electrical and life safety codes.
Photocell	Included standard for use as dusk-to-dawn luminaire.
Wiring	Field selectable wiring allows for AC operation of unit to be controlled using a wall switch, photocell, or other mechanism.

Warranty

Five year warranty on all electronics and housing.

Battery pro-rated for five years.

Meets UL924, NFPA 101 Life Safety Code, NEC, OSHA, Local and State Codes.

UL listed for Wet Locations (0°C - 50°C)

Ordering Example:

DCEM900-DB-SDT-CW



Prefix	Housing Color	Standard Feature	Options
DCEM900	BK = Black DB = Bronze NI = Nickel WH = White	SDT = Self-Diagnostics PC = Photocell	CW = Cold Weather CEC = Title 20 compliant

LED Lamps

LED Filament Lamps



Specification Features

ETL Listing	Damp Location
Energy Star	Approved
Application	Suitable for Indoor & Outdoor
CRI	80
Driver	Built in driver system
Dimmable	Smooth dimming
Light Source	LED Filament
Rating	15,000 hrs.



LED052
7W • 27K • 800lm
E26 Base



LED054
12W • 27K • 1,100lm
E26 Base



LED056
4W • 27K • 420lm
E26 Base



LED136
7W • 27K • 800lm
E26 Base



LED120
4W • 27K • 420lm
E26 Base



LED058
7W • 27K • 800lm
E26 Base



LED024
3W • 27K • 310lm
E26 Base



LED020
2.5W • 27K • 230lm
E12 Base



LED026
3W • 27K • 310lm
E26 Base



LED022
2.5W • 27K • 230lm
E12 Base

DC Supply defines damp locations as an exterior or interior application that is normally or periodically subject to condensation of moisture in, on or adjacent to the luminaire. Locations, such as under canopies, open porches and basements, that are often protected from weather and not subject to saturation with water or other liquids but may be subject to moderate degrees of moisture are considered damp location.

Ordering Example:

LED102-7W-27K



Prefix	Watts	Kelvin	Bulb Shape	Base	Lumens	Beam Angle	MOL	Wattage Equivalent	Pkg Qty
LED020	2.5W	27K	B11 Torpedo	E12	230	330°	3.65"	40W	1/24
LED022	2.5W	27K	B11 Flame Tip	E12	230	330°	4.76"	40W	1/24
LED024	3W	27K	B11 Torpedo	E26	310	330°	3.65"	50W	1/12
LED026	3W	27K	B11 Flame Tip	E26	310	330°	4.76"	50W	1/12
LED052	7W	27K	A19	E26	800	330°	4.02"	60W	1/12
LED054	12W	27K	A21	E26	1100	330°	5.27"	75W	1/24
LED056	4W	27K	T10	E26	420	330°	5.12"	40W	1/12
LED058	7W	27K	ST19	E26	800	330°	5.51"	60W	1/12
LED120	4W	27K	G25	E26	420	330°	4.13"	40W	1/24
LED136	7W	27K	G40	E26	800	330°	6.61"	60W	1/12

LED Lamps

Eco LED General Household Lamps



LED A19 E26 Base

LEDA102
LEDA104
LEDA110
LEDA112



LED A19 E26 Base

LEDA106
LEDA108
LEDA114
LEDA116

Applications

Our general purpose household light bulbs will conveniently replace incandescent or compact fluorescent bulbs.

Specification Features

ETL Listing	Damp Location
Type	Down Lighting
Application	Approved for totally enclosed fixtures
Use	Direct replacement for 40-60 watt incandescent bulbs, use only 7-10 watt.
Beam Angle	240°
Direction	Omni-directional with full light pattern.
Dimmable	Non-dimmable
Rating	15,000 hrs.



LED A15 E26 Base

LED210
LED214

DC Supply defines damp locations as an exterior or interior application that is normally or periodically subject to condensation of moisture in, on or adjacent to the luminaire. Locations, such as under canopies, open porches and basements, that are often protected from weather and not subject to saturation with water or other liquids but may be subject to moderate degrees of moisture are considered damp location.

Ordering Example:

LEDA102-5W-27K



Prefix	Watts	Kelvin	Bulb Shape	Base	Lumens	Beam Angle	MOL	Wattage Equivalent	Pkg Qty
LEDA102	5W	27K	A19	E26	450	240°	4.25"	40W	1/4
LEDA104	5W	41K	A19	E26	450	240°	4.25"	40W	1/4
LEDA106	5W	27K	A19	GU24	450	240°	4.25"	40W	1/4
LEDA108	5W	41K	A19	GU24	450	240°	4.25"	40W	1/4
LEDA110	9W	27K	A19	E26	800	240°	4.25"	60W	1/4
LEDA112	9W	41K	A19	E26	800	240°	4.25"	60W	1/4
LEDA114	9W	27K	A19	GU24	800	240°	4.25"	60W	1/4
LEDA116	9W	41K	A19	GU24	800	240°	4.25"	60W	1/4
LED210	5.5W	27K	A15	E26	600	240°	3.48"	40W	1/4
LED214	5.5W	41K	A15	E26	600	240°	3.48"	40W	1/4

LED Lamps

Eco LED BR Lamps



**LED BR20
E26 Base**
LED320
6.5W • 27K • 460lm



**LED BR30
E26 Base**
LED330
9W • 27K • 650lm



**LED BR40
E26 Base**
LED340
13W • 27K • 1,050lm

Applications

Our general purpose household light bulbs will conveniently replace incandescent or compact fluorescent bulbs.

Specification Features

ETL Listing	Damp Location
Energy Star	Approved
Uses	Down lighting, display or accent application
Beam Angle	110°
Start	Instant on to full brightness
Dimmable	Smooth, uniform dimming
Light Source	LED Reflector Flood
Rating	15,000 hrs.

DC Supply defines damp locations as an exterior or interior application that is normally or periodically subject to condensation of moisture in, on or adjacent to the luminaire. Locations, such as under canopies, open porches and basements, that are often protected from weather and not subject to saturation with water or other liquids but may be subject to moderate degrees of moisture are considered damp location.

Ordering Example:

LED330-9W-27K



Prefix	Watts	Kelvin	Bulb Shape	Base	Lumens	Beam Angle	MOL	Wattage Equivalent	Pkg Qty
LED320	6.5W	27K	BR20	E26	460	110°	3.8"	45W	1/24
LED330	9W	27K	BR30	E26	650	110°	5"	65W	1/24
LED340	13W	27K	BR40	E26	1,050	110°	6.46"	85W	1/12

LED Lamps

Eco LED Par Lamps



Applications

Our general purpose household light bulbs will conveniently replace incandescent or compact fluorescent bulbs.

Specification Features

ETL Listing	Damp Location
Energy Star	Approved
Uses	Down lighting, display or accent application
Beam Angle	40° Uniform Beam Focus
Start	Instant on to full brightness
Dimmable	Full dimming. Long life.
Light Source	LED Par Lamps 120v
Rating	15,000 hrs.

**LED PAR20
E26 Base**
LED420
7W • 27K • 460lm



**LED PAR30-SN
E26 Base**
LED430
11.5W • 27K • 850lm



**LED PAR30-LN
E26 Base**
LED432
11.5W • 27K • 850lm



**LED PAR38
E26 Base**
LED438
13W • 27K • 1,050lm
LED440
17W • 27K • 1,300lm



DC Supply defines damp locations as an exterior or interior application that is normally or periodically subject to condensation of moisture in, on or adjacent to the luminaire. Locations, such as under canopies, open porches and basements, that are often protected from weather and not subject to saturation with water or other liquids but may be subject to moderate degrees of moisture are considered damp location.

Ordering Example:
LED420-7W-27K



Prefix	Watts	Kelvin	Bulb Shape	Base	Lumens	Beam Angle	MOL	Wattage Equivalent	Pkg Qty
LED420	7W	27K	PAR20	E26	460	40°	3.39"	50W	1/24
LED430-SN	11.5W	27K	PAR30 Short Neck	E26	850	40°	3.35"	50W	1/24
LED432-LN	11.5W	27K	PAR30 Long Neck	E26	850	40°	4.61"	50W	1/12
LED438	13W	27K	PAR38	E26	1,050	40°	4.75"	75W	1/12
LED440	17W	27K	PAR38	E26	1,300	40°	4.75"	90W	1/12

LED Lamps

LED Decorative Lamps



**LED G25
E26 Base**
LED064
7W • 27K • 500lm



**LED MR16
GU10 Base**
LED066
6W • 30K • 450lm



**LED MR16
GU5.3 Base**
LED068
6W • 30K • 400lm



**LED B11 Flame Tip
E12 Base**
LED060
5W • 27K • 350lm



**LED B11 Flame Tip
E26 Base**
LED062
5W • 27K • 350lm

Applications

Our general purpose household light bulbs will conveniently replace incandescent or compact fluorescent bulbs.

Specification Features

ETL Listing	Damp Location
Energy Star	Approved
Uses	Down lighting, display or accent application
Beam Angle	110°
Start	Instant on to full brightness
Dimmable	Smooth, uniform dimming
Light Source	LED Reflector Flood
Rating	15,000 hrs.

DC Supply defines damp locations as an exterior or interior application that is normally or periodically subject to condensation of moisture in, on or adjacent to the luminaire. Locations, such as under canopies, open porches and basements, that are often protected from weather and not subject to saturation with water or other liquids but may be subject to moderate degrees of moisture are considered damp location.

Ordering Example:

LED064-7W-27K



Prefix	Watts	Kelvin	Bulb Shape	Base	Lumens	Beam Angle	MOL	Wattage Equivalent	Pkg Qty
LED060	5W	27K	B11 Flame Tip	E12	350	40°	3.78"	40W	1/24
LED062	5W	27K	B11 Flame Tip	E26	350	40°	3.78"	40W	1/24
LED064	7W	27K	G25 Globe	E26	500	110°	4.25"	50W	1/12
LED066	6W	30K	MR16	GU10	450	40°	2"	50W	1/12
LED068	6W	30K	MR16	GU5.3	400	40°	2"	50W	1/12

LED Lamps

LED Specialty Lamps



Applications

Our general purpose household light bulbs will conveniently replace incandescent or compact fluorescent bulbs.

Specification Features

ETL Listing	Damp Location
Energy Star	Approved
Uses	Down lighting, display or accent application
Beam Angle	40° Uniform Beam Focus
Start	Instant on to full brightness
Dimmable	Full dimming. Long life.
Light Source	LED Par Lamps 120v
Rating	15,000 hrs.



**LED S14
E26 Base**
LEDS14
2W • 27K • 150lm



Ideal for String Lights



**LED G4
G4 Base**
LED070
2.5W • 30K • 200lm



**LED G9
G9 Base**
LED072
2.5W • 30K • 200lm



Ideal for Specialty Chandeliers

DC Supply defines damp locations as an exterior or interior application that is normally or periodically subject to condensation of moisture in, on or adjacent to the luminaire. Locations, such as under canopies, open porches and basements, that are often protected from weather and not subject to saturation with water or other liquids but may be subject to moderate degrees of moisture are considered damp location.

Ordering Example: LED070-2W-30K



Prefix	Watts	Kelvin	Bulb Shape	Base	Lumens	Beam Angle	MOL	Wattage Equivalent	Pkg Qty
LEDS14	2W	27K	S14	E26	150	330°	3.69"	25W	1/24
LED070	2.5W	30K	Miniature	G4	200	150°	1.5"	20W	1/24
LED072	2.5W	30K	Miniature	G9	200	150°	2"	20W	1/24

LED Lamps

LED Commercial Lamps



Applications

Our general purpose household light bulbs will conveniently replace incandescent or compact fluorescent bulbs.

Specification Features

ETL Listing	Damp Location
Type	PLC
Uses	Direct replacement for 60-75 watt incandescent or CFL bulbs.
Beam Angle	130°
Direction	Omni-directional with full light pattern
Dimmable	Non-dimmable
Light Source	LED
Rating	50,000 hrs.



LED PLC E26 Base

LED010
5W • 28K • 450lm

LED012
5W • 41K • 450lm



LED PLC GU24 Base

LED005
5W • 28K • 450lm

LED006
5W • 41K • 450lm

LED007
7W • 28K • 700lm

LED008
7W • 41K • 700lm



All lamp types swivel 270°



LED PLC G23/GX24 Base

LED014
5W • 28K • 450lm

LED016
5W • 41K • 450lm

LED018
7W • 28K • 700lm

LED019
7W • 41K • 700lm

DC Supply defines damp locations as an exterior or interior application that is normally or periodically subject to condensation of moisture in, on or adjacent to the luminaire. Locations, such as under canopies, open porches and basements, that are often protected from weather and not subject to saturation with water or other liquids but may be subject to moderate degrees of moisture are considered damp location.

Ordering Example:

LED007-7W-28K



Prefix	Watts	Kelvin	Bulb Shape	Base	Lumens	Beam Angle	Dimensions	Wattage Equivalent
LED005	5W	28K	PLC	GU24	450	130°	5.38" x 1.10"	60W
LED006	5W	41K	PLC	GU24	450	130°	5.38" x 1.10"	60W
LED007	7W	28K	PLC	GU24	700	130°	6.40" x 1.38"	75W
LED008	7W	41K	PLC	GU24	700	130°	6.40" x 1.38"	75W
LED010	5W	28K	PLC	E26	450	130°	5.38" x 1.10"	60W
LED012	5W	41K	PLC	E26	450	130°	5.38" x 1.10"	60W
LED014	5W	28K	PLC	G23/GX23 2-Pin	450	130°	5.79" x 1.10"	60W
LED016	5W	41K	PLC	G23/GX23 2-Pin	450	130°	5.79" x 1.10"	60W
LED018	5W	28K	PLC	G24/GX24 4-Pin	450	130°	5.79" x 1.10"	60W
LED019	5W	41K	PLC	G24/GX24 4-Pin	450	130°	5.79" x 1.10"	60W

LED Lamps

LED Fluorescent Tube Replacements



Applications

Our general purpose household light bulbs will conveniently replace fluorescent tubes.

Specification Features

ETL Listing	Damp Location
Type	T8 - Tube
Uses	Direct replacement for fluorescent tubes
Direction	Omni-directional with full light pattern
Dimmable	Non-dimmable
Light Source	LED
Rating	50,000 hrs.



LED T8 Tube G13 Base

LEDT800

24" • 9W • 30K • 900lm

LEDT801

48" • 18W • 30K • 1,800lm

LEDT802

24" • 9W • 40K • 900lm

LEDT803

24" • 9W • 50K • 900lm

LEDT804

48" • 18W • 40K • 1,800lm

LEDT805

48" • 18W • 50K • 1,800lm

DC Supply defines damp locations as an exterior or interior application that is normally or periodically subject to condensation of moisture in, on or adjacent to the luminaire. Locations, such as under canopies, open porches and basements, that are often protected from weather and not subject to saturation with water or other liquids but may be subject to moderate degrees of moisture are considered damp location.

Ordering Example:

LED070-2W-30K



Prefix	Watts	Kelvin	Bulb Shape	Base	Lumens	Dimensions	Wattage Equivalent
LEDT800	9W	30K	T8 Tube	G13	900	24" x 1.1"	17W
LEDT801	18W	30K	T8 Tube	G13	1,800	48" x 1.1"	32W
LEDT802	9W	40K	T8 Tube	G13	900	24" x 1.1"	17W
LEDT803	9W	50K	T8 Tube	G13	900	24" x 1.1"	17W
LEDT804	18W	40K	T8 Tube	G13	1,800	48" x 1.1"	32W
LEDT805	18W	50K	T8 Tube	G13	1,800	48" x 1.1"	32W

Index

DC3415	72
DC3499	71
DC3500	71
DC3501	71
DC3506	71
DC3507	71
DC3508	72
DC3509	72
DC3510	72
DC3512	70
DC3513	70
DC3514	70
DC3516	72
DC3517	72
DC3540	69
DC3809	66
DC3857	66
DC3862	66
DC5014	78
DC5015	78
DC5020	88
DC504	41
DC506	42
DC508	44
DC5138	91
DC5234	77
DC5235	77
DC5314	73
DC5316	73
DC5317	73
DC5506	80
DC5508	80
DC5510	81
DC5512	82
DC5514	67

DC5516	80
DC5560	74
DC5562	76
DC5570	77
DC5580	78
DC5584	79
DC5586	79
DC5588	79
DC5664	74
DC5726	75
DC5800	85
DC5800	85
DC5826	85
DC5836	85
DC5848	85
DC5850	86
DC5852	86
DC5855	87
DC5857	87
DC5858	84
DC5896	68
DC5897	68
DC5911	90
DC5912	90
DC5942	74
DC5951	90
DC5956	76
DC5957	76
DC5958	76
DC5959	90
DC5961	84
DC5964	75
DC604	49
DC606	50
DC608	51

DC610	52
DC626	54
DC628	56
DC630	58
DC704	60
DC706	61
DC708	62
DC710	63
DC890	47
DCCF800	16
DCCF806	28
DCCF808	24
DCCF816	27
DCCF820	26
DCCF821	4
DCCF822	4
DCCF8552	25
DCCF8600	32
DCCF870	18
DCCF874	20
DCCF876	22
DCCF9650	31
DCCF9652	31
DCCF9660	30
DCCF9662	30
DCCF9800	6
DCCF9810	15
DCCF9821	4
DCCF9822	4
DCCF9830	3
DCCF9832	14
DCCF9856	5
DCCF9858	29
DCCF9860	5
DCCF9864	5

Index

DCCF9870	8
DCCF9874	10
DCCF9876	12
DCDR12	39
DCE1001	159
DCE1003	160
DCE3004	161
DCE3005	162
DCE3051	163
DCED404	64
DCEM506	43
DCEM508	45
DCEM626	55
DCEM628	57
DCEM900	164
DCFL750	117
DCFL900	115
DCFL930	116
DCGB100	121
DCGB120	122
DCGB122	123
DCGB130	124
DCGB140	125
DCGB150	126
DCGB160	127
DCGB170	128
DCLED005	171
DCLED006	171
DCLED007	171
DCLED008	171
DCLED010	171
DCLED012	171
DCLED014	171
DCLED016	171
DCLED018	171

DCLED020	165
DCLED020	171
DCLED022	165
DCLED024	165
DCLED026	165
DCLED052	165
DCLED054	165
DCLED056	165
DCLED058	165
DCLED060	169
DCLED062	169
DCLED064	169
DCLED066	169
DCLED068	169
DCLED070	170
DCLED072	170
DCLED120	165
DCLED136	165
DCLED210	166
DCLED214	166
DCLED320	167
DCLED330	167
DCLED340	167
DCLED420	168
DCLED430-SN	168
DCLED432-LN	168
DCLED438	168
DCLED440	168
DCLED510	119
DCLED512	119
DCLED600	118
DCLED602	118
DCLED604	118
DCLED606	118
DCLEDA102	166

DCLEDA104	166
DCLEDA106	166
DCLEDA108	166
DCLEDA110	166
DCLEDA112	166
DCLEDA114	166
DCLEDA116	166
DCLEDAL	130
DCLEDS14	148
DCLEDS14	170
DCLEDT800	172
DCLEDT801	172
DCLEDT802	172
DCLEDT803	172
DCLEDT804	172
DCLEDT805	172
DCLEDWP782	89
DCLEDWP784	89
DCLK9003	36
DCLK9004	36
DCLK9220	35
DCLK9330	34
DCLK9334	34
DCLK9345	34
DCLK9360	34
DCLK9550	35
DCLK9612	37
DCLK9614	37
DCLK9800	33
DCLK9801	33
DCLL104	105
DCLL106	105
DCLL112	109
DCLL175	108
DCLL201	110

Index

DCLL202	111
DCM/MS-END	148
DCPK8001	92
DCPK8003	92
DCPK8004	92
DCPOLES300	145
DCPOLES400	146
DCPOLES500	144
DCPT4118	132
DCPT4130	133
DCPT4160	140
DCPT4176	142
DCPT4190	141
DCPT4870	134
DCPT4872	134
DCPT4874	134
DCPT4876	135
DCPT4878	135
DCPT4880	135
DCPT4882	136
DCPT4884	136
DCPT4886	136
DCPT4890	137
DCPT5000	138
DCPT5002	139
DCPT800206	143
DCPT800208	143
DCPT800216	143
DCPT800218	143
DCRC	39
DCSL-CABLE	148
DCSL-LOCK-4	148
DCSL-TT	148
DCST830	147
DCT098	153

DCT100	153
DCT102	153
DCT106	153
DCT110	153
DCT124	153
DCT160	153
DCT4050	158
DCT4142	151
DCT4214	152
DCT4218	155
DCT4220	157
DCT4224	154
DCT4226	156
DCT4228	150
DCT4232	149
DCT4500	153
DCTD101	65
DCUL12	93
DCUL18	93
DCUL21	93
DCUL24	93
DCUL33	93
DCUL42	93
DCUL724	107
DCUL8	93
DCUL800	98
DCUL801	98
DCUL804	97
DCUL805	97
DCUL806	95
DCUL810	96
DCUL812	96
DCUL814	96
DCUL820	100
DCUL825	94

DCUL826	94
DCUL838	103
DCUL839	102
DCUL840	102
DCUL842	103
DCUL844	101
DCUL846	101
DCUL848	99
DCUL854	106
DCUL855	106
DCUL856	106
DCUL857	106
DCUL860	104
DCWP916	112
DCWP918	114
DCWP935	112
DCWP940	113
DCWP942	113
DCWS-200	38
DCWS-202	38



